

**Parts Catalog**  
**Nautilus E**  
**Battery Operated**  
**Rider Scrubber**



**PREFACE**

Thank you for your purchase of the new industry standard for scrubbers. PowerBoss® takes great pride in offering the most dependable, reliable and best value in industrial power scrubbers and sweepers. We set the standard.

Our Customer Service Department would like to hear from you. If you see any errors, omissions or something that needs clarification in this Parts Catalog please let us know. We are working hard towards continually improving our processes to bring you the best you deserve. Please copy the form below, fill out and comment on how you found our catalog.

Thank you!  
*The PowerBoss Team*

Name: \_\_\_\_\_

Title: \_\_\_\_\_

Company Name: \_\_\_\_\_

Address: \_\_\_\_\_

Country: \_\_\_\_\_

Type of equipment or model number: \_\_\_\_\_

Comments: \_\_\_\_\_

\_\_\_\_\_

\_\_\_\_\_

\_\_\_\_\_

Please return to:  
Customer Service Manager  
PowerBoss®, Minuteman International, Inc.  
14N845 U.S. Route 20  
Pingree Grove, Illinois 60140 USA

Phone: (800) 323-9420  
Email: tech@powerboss.com

This is the Parts Catalog for the PowerBoss® Nautilus Electric Scrubber machine.

This catalog covers the Standard Nautilus Electric machine beginning September 2019.

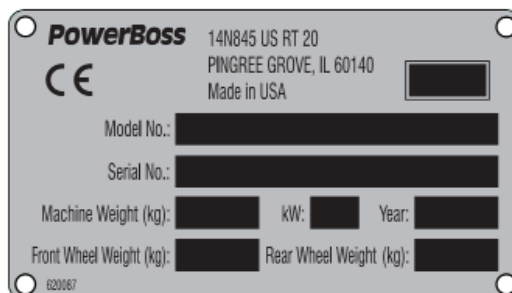
We believe this machine will provide excellent service for many years. Best results will be obtained if:

- The machine is operated with reasonable care.
- The machine is maintained regularly per the maintenance schedule provided in the User Manual.
- The machine is maintained with PowerBoss® supplied or equivalent parts.

All right side and left side references to the machine (except for engine) are determined by facing the direction of forward travel. The front of the engine or engine fan faces the front of the machine. Some hardware considered to be common or locally available has been omitted from the parts section to make this manual clear. Be sure to use equivalent hardware when replacement becomes necessary.

The Model and Serial Number of your machine is shown on the I.D. name plate. This information is needed when contacting Technical Support or when ordering parts. The I.D. plate is mounted on the left side wall of the operator seating area.

**Example I.D Plate:**



Parts may be ordered by phone, fax or e-mail from any PowerBoss® parts and service center. Before ordering parts or supplies, be sure to have your machine model number and serial number handy. For your convenience Fill out the data block below for future reference.

<p><b>MACHINE DATA</b> Fill out at installation</p> <p>Serial Number: _____</p> <p>Engine Serial Number: _____</p> <p>Sales Rep.: _____</p> <p>Date of Install: _____</p>
---

All information contained in this catalog is current at the time of printing. Minuteman International, Inc. reserves the right to make changes at any time without notice.

PowerBoss®, Minuteman International, Inc., Copyright 2019, Printed in USA

## TECHNICAL SPECIFICATIONS

Model: Nautilus E Rider Scrubber/Sweeper  
Model No.: SM45DQP, SM45CQP

Nautilus CE Rider Scrubber/Sweeper  
SM45D-CE, SM45C-CE

<b>SPECIFICATIONS</b>	<b>DISC</b>
Scrubbing Path (main scrub deck) with scrubbing side brush	45 in / 1,143 mm 55.5 in / 1,409.7
Direct Throw Sweeping Path (main broom)	45 in / 1,143 mm
Direct Throw Sweeping Path (main broom & side brooms)	73 in / 1,854.2
Disk brush speed	350 rpm
Disk brush down force (up to)	400 lb / 181 kg
Brush motor power	(3) @ 1.25 hp
Solution tank	90 gal / 341 L
Recovery tank (including demister chamber)	104 gal / 394 L
Debris capacity maximum direct throw	3 ft <sup>3</sup> / 85 L
Vacuum fan power	(2) @ .8 hp
Vacuum fan speed	14,500 rpm
Vacuum water lift	65 in / 1,651 mm
<b>PROPELLING SYSTEM</b>	
Propel speed forward (transport variable to)	5.5 mph / 8.9 kph
Propel speed forward (scrubbing variable to)	4 mph / 6.4 kph
Dual Force Gradeability - Working	3 degrees/5%
Transport	9.7 degrees/17%
<i>*sweep hopper must be lifted prior to going on a 5° ramp</i>	
<b>BATTERY SELECTIONS</b>	
Standard battery	750 AH C6
Opt. battery (opportunity charge capable)	840 AH C6
Opt. battery (opportunity charge capable)	864 AH Lithium
<b>MACHINE DIMENSIONS</b>	
Length basic machine	109.6 in / 2,784 mm
Width, body	63 in / 1,600 mm
Width, including side scrub	65.75 in / 1,670 mm
Height (top of tank)	58.1 in / 1,476 mm
With overhead guard	80 in / 2,032 mm
Weight empty (no battery)	
Minimum aisle turn	118.25 in / 3,003 mm
Ground Clearance	2.5 in / 64 mm
w/overhead guard	78 in



<b>SPECIFICATIONS</b>	<b>CYLINDRICAL</b>
Scrubbing Path (main scrub deck) with scrubbing side brush	45 in / 1,143 mm 55.5 in / 1,409.7
Cylindrical brush speed	500 rpm
Cylindrical brush down force (up to)	400 lb / 181 kg
Cylindrical Debris hopper	1 ft <sup>3</sup> / 28 Liters
Disk brush speed	315 rpm
Disk brush down force (up to)	400 lb / 181 kg
Solution tank	90 gal / 341 L
Recovery tank (including demister chamber)	104 gal / 394 L
Vacuum fan power	(2) @ .8 hp
Vacuum fan speed	14,500 rpm
Vacuum water lift	65 in / 1,650 mm
<b>PROPELLING SYSTEM</b>	
Propel speed forward (transport variable to)	5.5 mph / 8.9 kph
Propel speed forward (scrubbing variable to)	4 mph / 6.4 kph
Dual Force Gradeability - Working Transport	3 degrees/5% 9.7 degrees/17%
<b>*sweep hopper must be lifted prior to going on a 5° ramp</b>	
<b>BATTERY SELECTIONS</b>	
Standard battery	750 AH C6
Opt battery (opportunity charge capable)	840 AH C6
Opt battery (opportunity charge capable)	864 AH Lithium
<b>MACHINE SPECIFICATIONS</b>	
Length basic machine	85.5 in / 2,172 mm
Width, body	55 in / 1,397 mm
Width, including side scrub	61.75 in / 1,568 mm
Height (top of steering wheel)	58.12 in / 1,476 mm
With overhead guard	80 in / 2,032 mm
Weight empty (no battery)	
Minimum aisle turn	94.75 in / 2,407 mm
Ground Clearance	2.5 in / 64 mm
Width	55 in
w/optional side scrub brush	61.75
Height top of recovery tank	58.12
w/overhead guard	78 in

## CE DECLARATION OF CONFORMITY

14N845 U.S. Route 20 · Pingree Grove, Illinois 60140 USA  
Phone: 800-323-9420 · Fax: 847-683-5207  
A Member of the Hako Group

PowerBoss®  
The Power of Clean

- D EG-Konformitätserklärung (entsprechend der EG-Richtlinie 2006/42/EG)
- GB EC Declaration of Conformity (according to Directive 2006/42/EC)
- F Déclaration de conformité pour la CEE (conforme à la directive de la CEE 2006/42/CEE)
- I Dichiarazione CE di Conformità (ai sensi della direttiva CEE 2006/42)
- E CEE Declaración de Conformidad (según la normativa de la CEE 2006/42/CE)

PowerBoss Inc. erklären in alleiniger Verantwortung, daß das Produkt, declare under our sole responsibility, that the product, déclarons sous notre seule responsabilité que le produit, Dichiaro sotto la propria responsabilità che il prodotto, declaramos bajo responsabilidad propia que el producto,  
Machine Nautilus Electric Scrubber/Sweeper - SM45C-CE, SM45D-CE

D auf das sich diese Erklärung bezieht, den einschlägigen grundlegenden Sicherheits- und Gesundheitsanforderungen der EG-Richtlinie 2006/42/EG, sowie den Anforderungen gemäß 2014/30/EG entspricht. Zur sachgerechten Umsetzung der in den EG-Richtlinien genannten Sicherheits- und Gesundheitsanforderungen wurde(n) folgende Norm(en) und/oder technische Spezifikation(en) herangezogen:

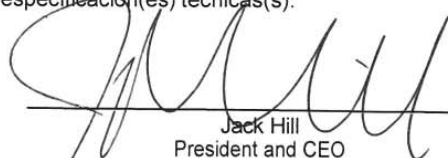
GB to which this declaration relates corresponds to the relevant basic safety and health requirements of the Directive 2006/42/EC, and to the requirements of the other relevant Directives 2014/30/EC. For the relevant implementation of the safety and health requirements mentioned in the Directives, the following standard(s) and/or technical specification(s) has (have) been respected:

F faisant l'objet de la déclaration est conforme aux prescriptions fondamentales en matière de sécurité et de santé stipulées dans la Directive de la CEE 2006/42/CEE, ainsi qu'aux prescriptions des autres Directives de la CEE établies dans ce domaine 2014/30/CEE. Pour mettre en pratique dans les règles de l'art les prescriptions en matière de sécurité et de santé stipulées dans les Directives de la CEE, il a été tenu compte de la/des norme(s) et/ou de la/des spécification(s) technique(s) suivante(s):

I e conforme ai requisiti essenziali di sicurezza e di tutela della salute di cui alla Direttiva CEE 2006/42 e sue successive modifiche, nonché ai requisiti di cui alle seguenti Direttive CEE 2014/30. Per la verifica della Conformità di cui alle Direttive sopra menzionate, sono state consultate le seguenti, Norme Armonizzate EN:

E al cual se refiere la presente declaración corresponde a las exigencias básicas de la normativa de la CEE 2006/42/CE y referentes a la seguridad y a la sanidad, así como a las exigencias de la demás normativas de la CEE 2014/30/CE. Con el fin de realizar de forma adecuada las exigencias referentes a la seguridad y a la sanidad mencionadas en las normativas de la CEE fue(ron) consultada(s) la(s) siguiente(s) normativa(s) y especificación(es) técnicas(s):

Date 23 September 2020



Jack Hill  
President and CEO

Name der autorisierten Person, die für PowerBoss die technischen Unterlagen zusammenstellt:  
Name of the person authorized for PowerBoss to compile the technical file:  
Personne chargée du suivi du dossier technique:  
Nome della persona autorizzata da PowerBoss a compilare il file tecnico:  
Nombre de la persona autorizada por PowerBoss para la creación del fichero técnico: Sebastien Filippone



**TABLE OF CONTENTS**

**PREFACE**..... 2

**TECHNICAL SPECIFICATIONS**..... 4

**CE DECLARATION OF CONFORMITY** ..... 6

**PARTS BREAKDOWN** ..... 12

    REAR SQUEEGEE GROUP (714706) ..... 12

    REAR BUMPER GROUP (714707) ..... 14

    BUMPER LIFT GROUP (714708)..... 16

    BRAKE GROUP (714710) ..... 18

    SQUEEGEE LIFT GROUP (714712)..... 20

    SQUEEGEE LINKAGE GROUP (714713)..... 22

    VACUUM MOTOR GROUP (714733) ..... 24

    BATTERY DOOR GROUP (714734) ..... 26

    BATTERY COVER GROUP (714735)..... 28

    VACUUM DOOR GROUP (714736)..... 30

    RECOVERY TANK GROUP (714737)..... 32

    SOLUTION TANK GROUP (714738)..... 34

    SEAT MOUNT GROUP (714740) ..... 36

    TANK DRAIN HOSE GROUP (714747) ..... 38

    DEMISTER GROUP (714749)..... 40

    REAR WHEEL GROUP (714757)..... 42

    REAR STEP GROUP (714758)..... 44

    CONTROL PEDAL GROUP (714761)..... 46

**DISC GROUPS** ..... 48

    MAIN BROOM LIFT GROUP (714714) ..... 48

    MAIN BROOM DRIVE GROUP (714715)..... 50

    MAIN BROOM IDLER GROUP (714716) ..... 52

    HOPPER DUMP DOOR GROUP (714717) ..... 54

    HIGH DUMP HOPPER GROUP (714718) ..... 56

    HOPPER LIFT GROUP (714719)..... 58

    DISC SCRUB HEAD GROUP (714720) ..... 60

    DISC SIDE SQUEEGEE GROUP - RH (714721)..... 62

    DISC SIDE SQUEEGEE GROUP - LH (714722) ..... 64

    DISC SCRUB HEAD LIFT GROUP (714723) ..... 66

    SIDE BROOM GROUP - RH (714724) ..... 68

    SIDE BROOM GROUP - LH (714725)..... 70

    FROM BUMPER GROUP (714726)..... 72

    SIDE BROOM LIFT GROUP - RH (714727) ..... 74

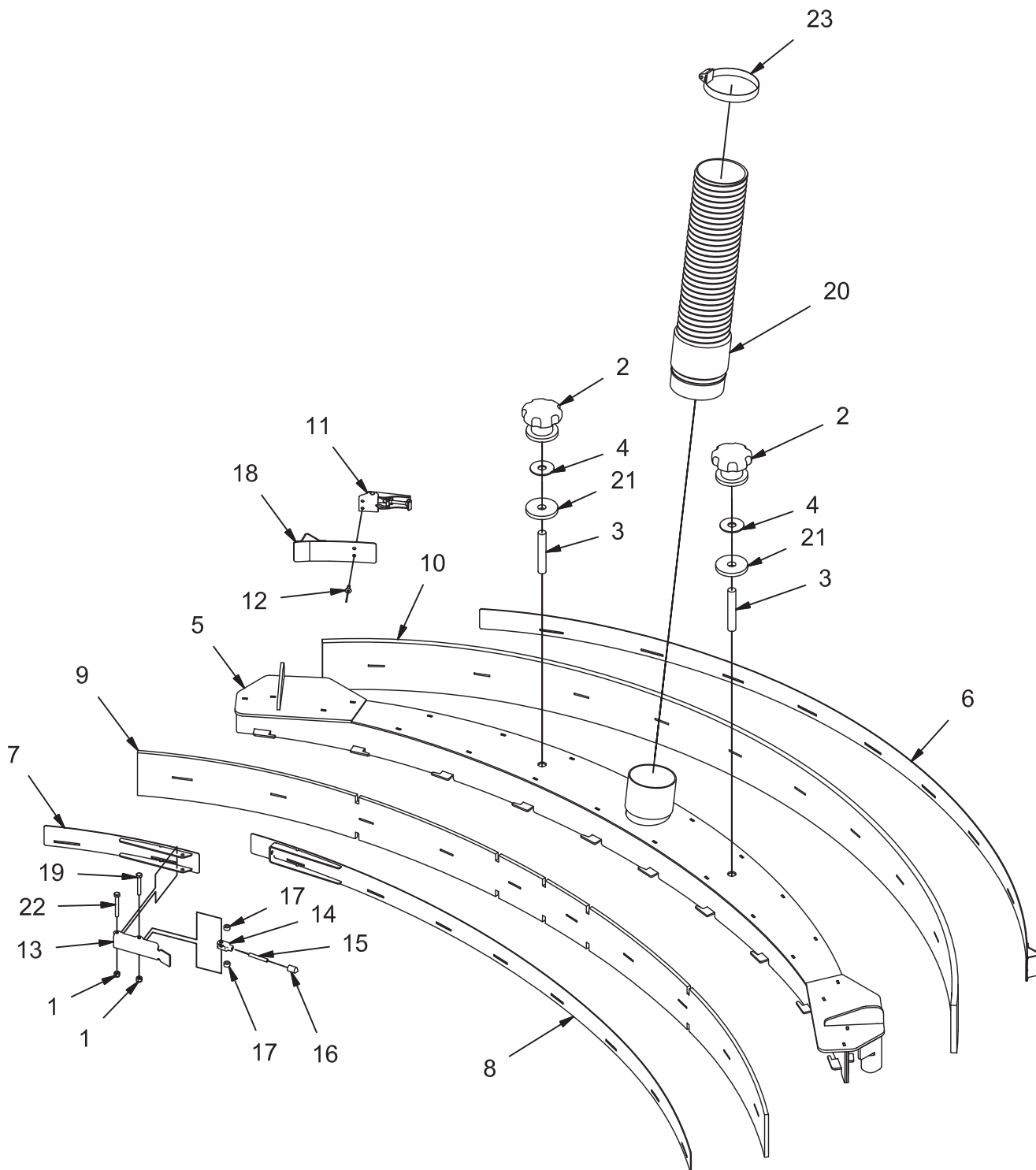
    SIDE BROOM LIFT GROUP - LH (714728)..... 76

DRIVE WHEEL GROUP (714732) .....	78
POWER STEERING GROUP (714741) .....	80
SOLUTION CONTROL, DISC (714743) .....	82
HOPPER VACUUM MOTOR GROUP (714753) .....	84
MAIN BROOM SKIRT AND SEAL GROUP (714754) .....	86
FRAME GROUP, DISC (714755) .....	88
HOPPER FILTER GROUP (714759) .....	90
HOPPER SUB ASSEMBLY (714759-1) .....	92
UPPER COVER GROUP (714760) .....	94
HOPPER HYDRAULIC UNIT GROUP (714762) .....	96
CONSOLE GROUP (714763) .....	98
INSTRUMENT PANEL GROUP (714752) .....	100
ELECTRICAL BOX GROUP (719105) .....	102
<b>CYLINDRICAL GROUPS .....</b>	<b>104</b>
CYLINDRICAL SCRUB HEAD GROUP (714700) .....	104
CYLINDRICAL SCRUB HEAD LIFT GROUP (714701) .....	106
SCRUB BRUSH DRIVE GROUP (714702) .....	108
CYLINDRICAL SCRUB BRUSH IDLER GROUP (714703) .....	110
SIDE SQUEEGEE GROUP - RH (714704) .....	112
SIDE SQUEEGEE GROUP - LH (714705) .....	114
DRIVE WHEEL GROUP - CYLINDRICAL (714709) .....	116
STEERING GROUP, MANUAL (714711) .....	118
FRONT COVER GROUP (714739) .....	120
SOLUTION CONTROL GROUP, CYLINDRICAL (714742) .....	122
CONSOLE GROUP, CYLINDRICAL (714748) .....	124
FRAME GROUP, CYLINDRICAL (714750) .....	126
INSTRUMENT PANEL GROUP, CYLINDRICAL (714751) .....	128
ELECTRICAL BOX GROUP, CYLINDRICAL (719168) .....	130
<b>CYLINDRICAL BRUSHES .....</b>	<b>132</b>
OPTIONAL SIDE BRUSH .....	132
<b>DISC BROOM/BRUSHES .....</b>	<b>132</b>
<b>BATTERIES AND CHARGERS .....</b>	<b>133</b>
<b>OPTIONS - PARTS BREAKDOWN .....</b>	<b>134</b>
OPTION - SIDE SCRUB GROUP, CYLINDRICAL (718365) .....	134
SIDE SCRUB AND SQUEEGEE GROUP (714729) .....	134
SIDE SCRUB LIFT GROUP, CYLINDRICAL (714730) .....	136
SIDE SCRUB SHIFT GROUP (714731) .....	138
SIDE SCRUB SOLUTION CONT GROUP - CYL (714744) .....	140
SIDE SCRUB GUARD GROUP - CYLINDRICAL (714769) .....	142
OPTION - SIDE SCRUB GROUP, DISC (718366) .....	144
SIDE SCRUB GUARD GROUP (714300) .....	144

SIDE SCRUB AND SQUEEGEE GROUP (714729)	146
SIDE SCRUB SHIFT GROUP (714731)	148
SIDE SCRUB SOLUTION CONTROL GROUP (714745)	150
SIDE SCRUB LIFT GROUP (714768)	152
OPTION - OVERHEAD GUARD GROUP (714301)	154
OPTION - COUNTERWEIGHT GROUP (714746)	156
OPTION - DUAL HOPPER VAC MOTOR GROUP (714756)	158
OPTION - BATTERY ROLL OUT GROUP (714767)	160
OPTION - VACUUM WAND (719517)	162
OPTION - POWER STEERING, CYLINDRICAL (719518)	164
OPTION - OVERHEAD GUARD GROUP, CYLINDRICAL (719525)	166
OPTION - REAR SQUEEGEE GUARD GROUP (719545)	168
OPTION - SIDE BROOM GROUP - CYLINDRICAL (719559)	170
OPTION - PRIMOTHANE SQUEEGEE BLADES GROUP (718415)	172
OPTION - PROTECTIVE RAIL BUMPERS (719528)	172
<b>ELECTRICAL SCHEMATICS</b>	<b>174</b>
DISC ELECTRICAL SCHEMATIC LAYOUT	174
CYLINDRICAL ELECTRICAL SCHEMATIC LAYOUT	182



**PARTS BREAKDOWN**  
**REAR SQUEEGEE GROUP (714706)**



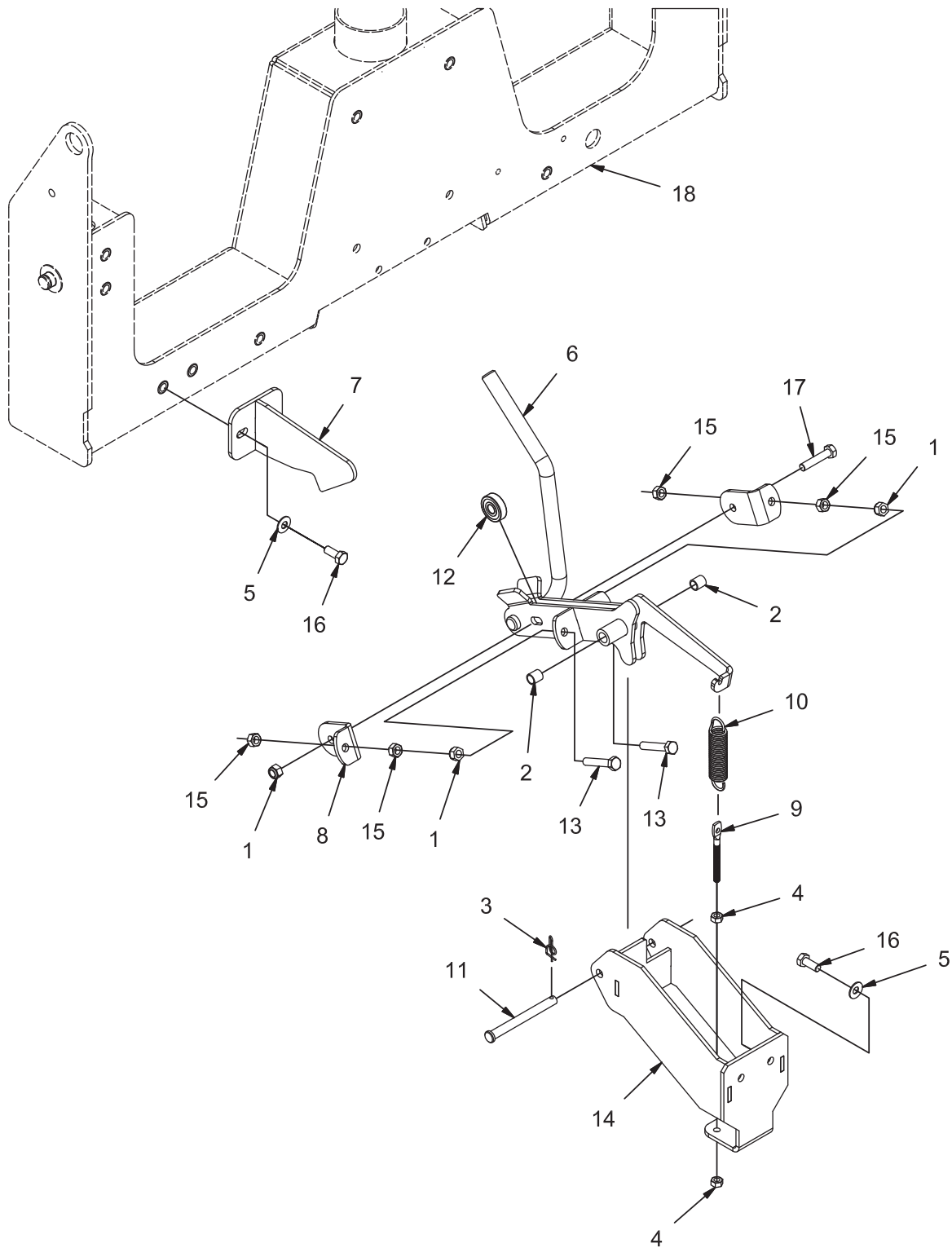
**REV D**



**REAR SQUEEGEE GROUP (714706)**

Parts List			
ITEM	PART NUMBER	QTY	DESCRIPTION
1	12040283	2	NUT, M5 - 0.8 ESN SS
2	3343814	2	KNOB
3	3343903	2	STUD, 1/2-13 X 3.00 SS
4	3400091	2	WASHER-FENDER 1/2 X 2.00 ZP
5	714532	1	WELDMENT, SQUEEGEE
6	714533	1	WELDMENT, REAR SQU RETAINER
7	714534	1	WELDMENT, FRONT RETAINER, SHORT
8	714535	1	WELDMENT, FRONT RETAINER
9	714684	1	SQUEEGEE BLADE, FRONT
10	714685	1	SQUEEGEE BLADE, REAR
11	730652	1	LATCH, UNDER CENTER
12	730654	2	RIVET,BLIND, .156 D X .062 - .125 GRIP SS
13	730780	1	LATCH, BODY
14	730781	1	CLEVIS, M5-0.8
15	730782	1	ROD, M5-0.8
16	730783	1	ROD, NOSE
17	730784	2	SPACER, .203 B .375 OD .210 T
18	730796	1	WELDMENT, REAR RETAINER, SHORT
19	730802	1	BOLT, M5-0.8 X 35 HH SS
20	730985	1	ASSEMBLY, LOWER SQU HOSE
21	730992	2	WASHER-RUBBER .53 ID X 2.00 OD X .25 THK
22	731130	1	BOLT, M5-0.8 X 40 HH SS
23	731144	1	CLAMP, HOSE, 2.25 - 3.25

REAR BUMPER GROUP (714707)

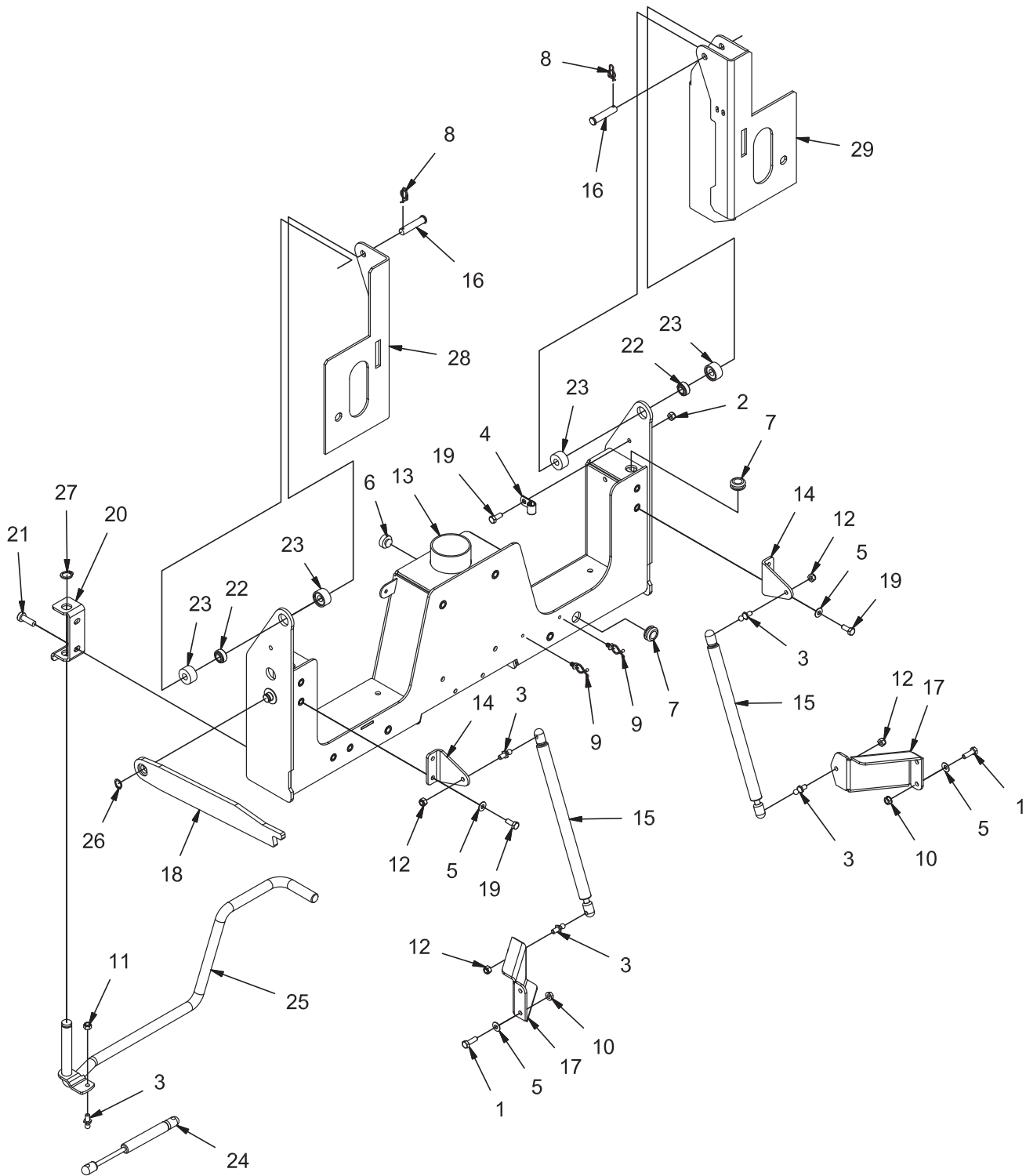


REV A

**REAR BUMPER GROUP (714707)**

Parts List 714707			
ITEM	PART NUMBER	QTY	DESCRIPTION
1	12040259	3	NUT, M8-1.25 ESN SS
2	245295	2	BEARING, FIBERGLIDE .375 ID .500 T
3	3400125	1	RUE-RING, .375
4	712665	2	NUT, 1/4-20 HEX SS
5	3400384	4	WASHER, 5/16 BELLEVILLE
6	714536	1	WELDMENT, BUMPER LATCH
7	714537	1	WELDMENT, STRIKER
8	714539	2	ADJUSTER, LATCH
9	714541	1	SCREW HANGER
10	731183	1	SPRING, EXT, .09 W .75 OD 3.50 L
11	383162	1	PIN-CLEVIS 3/8 X 3-3/4
12	714547	1	BEARING, BALL, 6200 2RS
13	714548	2	SCR-HH M8-1.25 X 45 SS
14	714613	1	WELDMENT, LATCH MNT
15	717029	4	NUT, M8-1.25 SS
16	717030	4	BOLT, M8-1.25 X 20 HH SS
17	717037	1	BOLT, M8-1.25 X 40 HH SS
18	REF.	-	REAR BUMPER

BUMPER LIFT GROUP (714708)

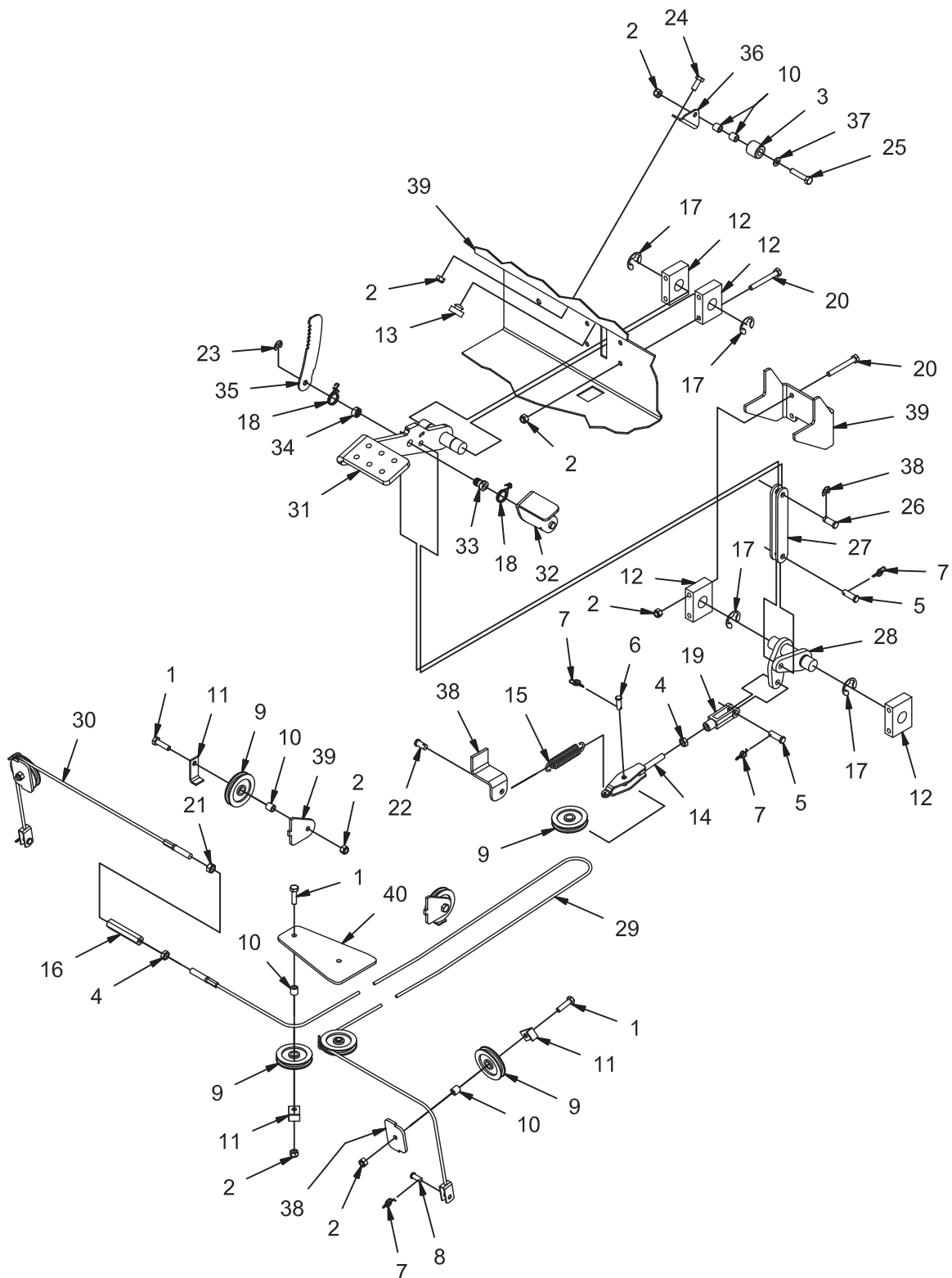


REV C

**BUMPER LIFT GROUP (714708)**

Parts List 714708			
ITEM	PART NUMBER	QTY	DESCRIPTION
1	11039567	4	BOLT, M8-1.25 X 25 HH SS
2	12040259	1	NUT, M8-1.25 ESN SS
3	3300376	6	STUD, 10MM BALL
4	3301158	1	CLAMP, .50 HOSE
5	3400384	8	WASHER, 5/16 BELLEVILLE
6	600117	1	BUMPER, 1.00 X .339 T
7	600151	2	GROMMET, .63 ID .88 OD .25 T
8	600578	2	RUE-RING, .50
9	600581	2	CLAMP, WIRE CLIP
10	600934	4	NUT, M8-1.25 FLNG
11	711374	2	NUT, FIBER INSERT 5/16-18
12	712683	4	NUT, 5/16-18 ESN SS
13	714538-1	1	ASSEMBLY, REAR BUMPER
14	714545	2	MOUNT, GAS STRUT
15	714605	2	GAS STRUT, EXT X 9.06 STK, 163 LBS
16	714606	2	PIN, CLEVIS 1/2 X 2.25 ZP
17	714607	2	MOUNT, GAS STRUT
18	714608	1	SAFETY ARM
19	717030	5	SCR-HH M8-1.25 X 20 SS
20	718380	1	WELDMENT, BUMPER, LEVER PIVOT
21	730872	2	SCREW, M10-1.50 X 30 LOW PROFILE CAP SS
22	730882	2	BEARING, SPHERICAL
23	730883	4	SPACER, BUMPER
24	730902	1	GAS STRUT, 8.8 EXT, 3.0 STK, 200N
25	731205	1	WELDMENT, BUMPER LEVER
26	731210	1	RETAINING RING, EXT, HD .625
27	731212	1	RETAINING RING, EXT, HD .750
28	REF.	-	FRAME
29	REF.	-	FRAME

**BRAKE GROUP (714710)**

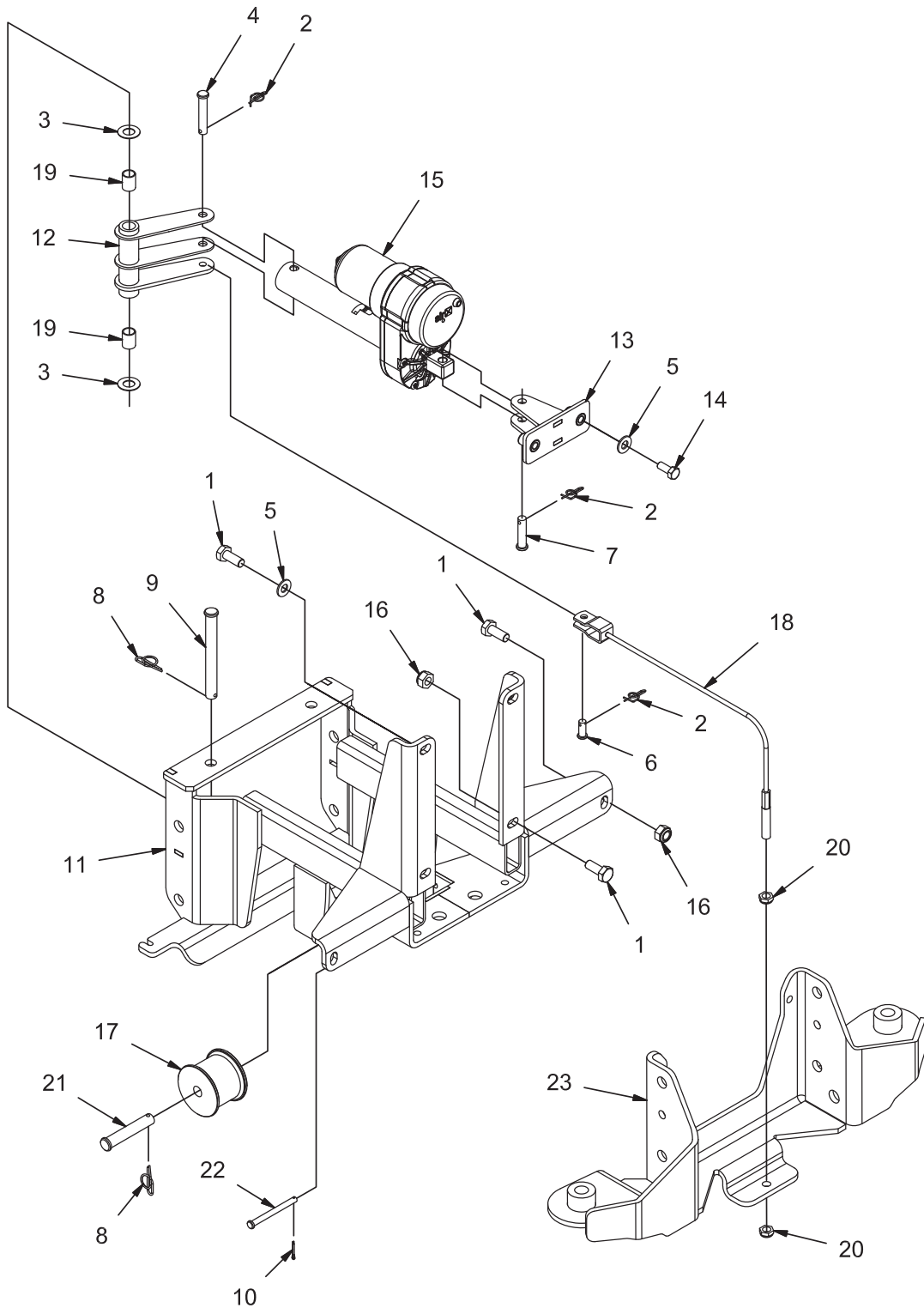


**REV B**

**BRAKE GROUP (714710)**

Parts List 714710			
ITEM	PART NUMBER	QTY	DESCRIPTION
1	11038254	6	BOLT, M8-125 X 30 HH
2	12040051	17	NUT, M8-1.25 ESN
3	245405	1	ROLLER, .516 ID, 1.00 OD X .95
4	3400075	2	NUT, HEX JAM 3/8-24
5	3400117	2	PIN, CLEVIS 3/8 X 1.125
6	3400118	1	PIN, CLEVIS, .313 X .88
7	3400125	5	RUE-RING, .375
8	450034	2	PIN, CLEVIS, .313 X .75
9	600113	7	PULLEY, .50 B, 2.00 D, .44 T
10	600114	8	SPACER, .328B .498 OD .500, SS
11	600115	6	RETAINER, CABLE
12	600116	4	BLOCK, BRAKE PIVOT
13	600117	1	BUMPER, 1.00 X .339 T
14	600121	1	CLEVIS, BRAKE PULLEY
15	600127	1	SPRING, EXT, .105 W .75 OD 3.50 L
16	600338	1	TURNBUCKLE, .375
17	600570	4	E-RING, .88
18	600809	2	SPRING, TORSION
19	600813	1	CLEVIS, 3/8-24
20	600921	8	BOLT, M8-1.25 X 65 HH
21	600938	1	NUT, 3/8-24 LH
22	711679	1	PIN, CLEVIS, .375 X .75
23	711717	1	RET RING-E EXT .37
24	717024	2	SCR-HH M8-1.25 X 20 ZP GRADE 8.8
25	717037	1	BOLT, M8-1.25 X 40 HH SS
26	718155	1	PIN, CLEVIS WITH RET. RING
27	718161	2	LINK, BRAKE
28	718162	1	WELDMENT, BELLCRANK
29	718163	1	CABLE, BRAKE, RH
30	718164	1	CABLE, BRAKE, LH
31	718327	1	WELDMENT, BRAKE PEDAL
32	718328	1	WELDMENT, PARKING BRAKE PEDAL
33	718331	1	BUSHING, PARKING BRAKE
34	718332	1	NUT, PARKING BRAKE
35	718333	1	BRAKE RATCHET
36	718334	1	BRACKET, BRAKE ROLLER
37	730609	1	WASHER, M8 SS
38	PART OF 718155	1	E-RING, .375
39	REF.	-	CONSOLE
40	REF.	-	FRAME

SQUEEGEE LIFT GROUP (714712)



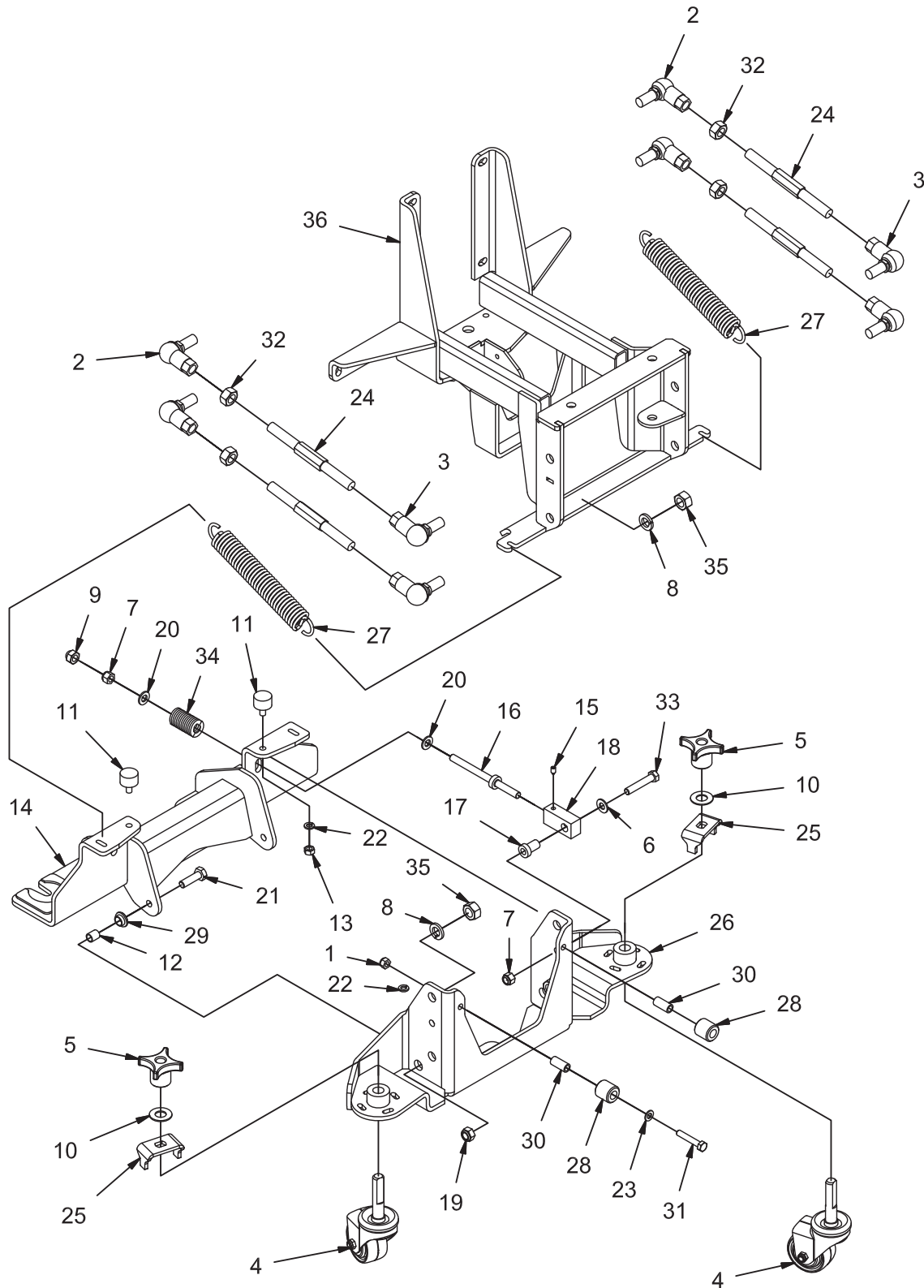
REV D



**SQUEEGEE LIFT GROUP (714712)**

Parts List 714712			
ITEM	PART NUMBER	QTY	DESCRIPTION
1	11039328	6	BOLT, M10-1.50 X 25 HH SS
2	3400125	3	RUE-RING, .375
3	3400178	2	WASHER, THRUST, .53 B 1.00 OD .03 T
4	3400266	1	PIN, CLEVIS, 3/8 X 2.00
5	3400385	4	WASHER, 3/8, BELLEVILLE
6	450034	1	PIN, CLEVIS, .313 X .75
7	600573	1	PIN, CLEVIS, 3/8 X 1.50
8	600578	2	RUE-RING, .50
9	620027	1	PIN, CLEVIS 1/2 X 4.50
10	620143	1	COTTERPIN, 5/64 X 1/2
11	714582	1	WELDMENT, SQU LIFT
12	714583	1	WELDMENT, SQU LIFT ARM
13	714584-1	1	ASSEMBLY, SQU ACT MNT
14	717030	2	SCR-HH M8-1.25 X 20 SS
15	718205-1	1	ACTUATOR, 36VDC, 3000N, 100MM STK
16	730339	4	NUT, M10-1.50 ESN SS
17	730745	1	PULLEY
18	730746	1	CABLE ASSEMBLY
19	730752	2	FIBERGLIDE BEARING, .500 ID .750 T
20	730757	2	NUT, 3/8-24 JAM ESN SS
21	730760	1	PIN, CLEVIS 1/2 X 2.75
22	730761	1	PIN, CLEVIS, .25 X .2.75
23	REF.	-	SQU BRACKET

**SQUEEGEE LINKAGE GROUP (714713)**

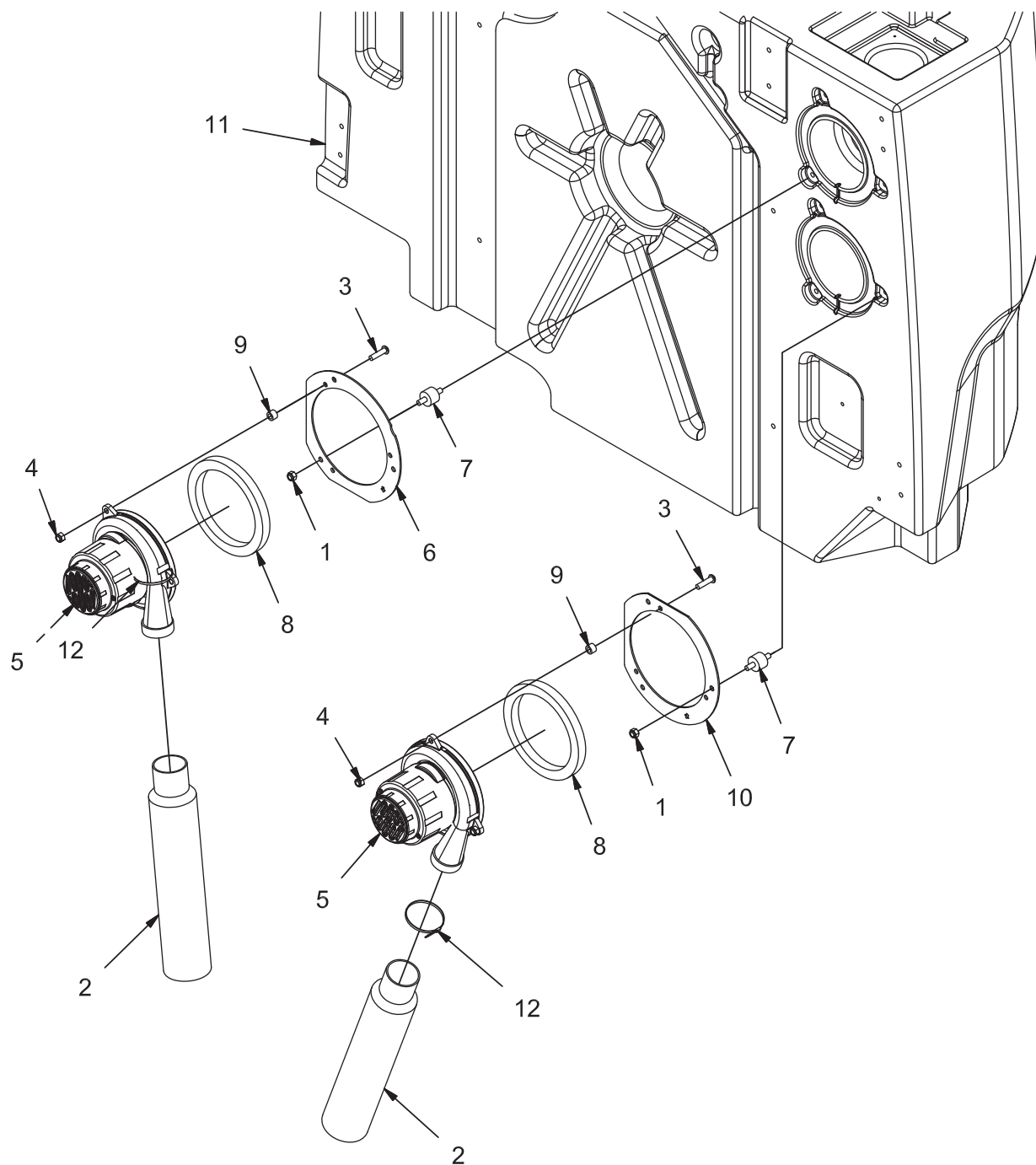


**REV F**

**SQUEEGEE LINKAGE GROUP (714713)**

Parts List 714713			
ITEM	PART NUMBER	QTY	DESCRIPTION
1	12040259	2	NUT, M8-1.25 ESN SS
2	16046054	4	ROD END, M14 RH THRDS
3	16046062	4	ROD END, M14 LH THRDS
4	3343816	2	CASTER
5	3343819	2	KNOB
6	3400087	1	WASHER, 3/8
7	3400340	2	NUT, 3/8-16 ESN SS
8	3400414	8	LOCK WASHER, 9/16 HS MED
9	3401030	1	NUT-ACORN, 3/8-16 SS
10	3401543	2	WASHER, TOOTHED PERIPHERY
11	600220	2	BUMPER, 1.00 X .625 T
12	600525	2	SPACER, .406 B .50 OD .57 T
13	712680	2	NUT, HEX 5/16-18 SS
14	714549	1	WELDMENT, SQU MNT
15	714587	1	SCR-SET 1/4-28 X .38 SS
16	714588	1	ROD, PITCH ADJ
17	714589	1	SPACER, FLANGED
18	714590	1	BAR, PITCH
19	730339	2	NUT, M10-1.50 ESN SS
20	730344	2	WASHER, M10 SS
21	730345	2	BOLT, M10-1.50 X 35 HH SS
22	730527	2	LOCK WASHER, M8, SS
23	730609	2	WASHER, M8 SS
24	730662	4	ROD, SQUEEGEE
25	730668	2	KEEPER, CASTER ADJUSTMENT
26	730674	1	WELDMENT, SQU BRACKET
27	730742	2	SPRING, EXT, .160 W 1.25 OD 10.25 L SS
28	730744	2	ROLLER, SQU
29	730750	2	BUSHING, BRONZE, FLANGED. .50 B .62 OD .31 T
30	730751	2	SPACER, .344 B .500 OD 1.06 T
31	730754	2	BOLT, M8-1.25 X 45 HH SS
32	731176	4	NUT, M14-1.50 HEX SS
33	731213	1	BOLT, 3/8-16 X 2.00 HH SS
34	770331	1	SPRING, 1.00 OD, .50 ROD ID, 2.00L
35	PART OF ROD END	8	NUT, M14-1.50 HEX SS
36	REF.	-	WELDMENT, SQU LIFT

VACUUM MOTOR GROUP (714733)

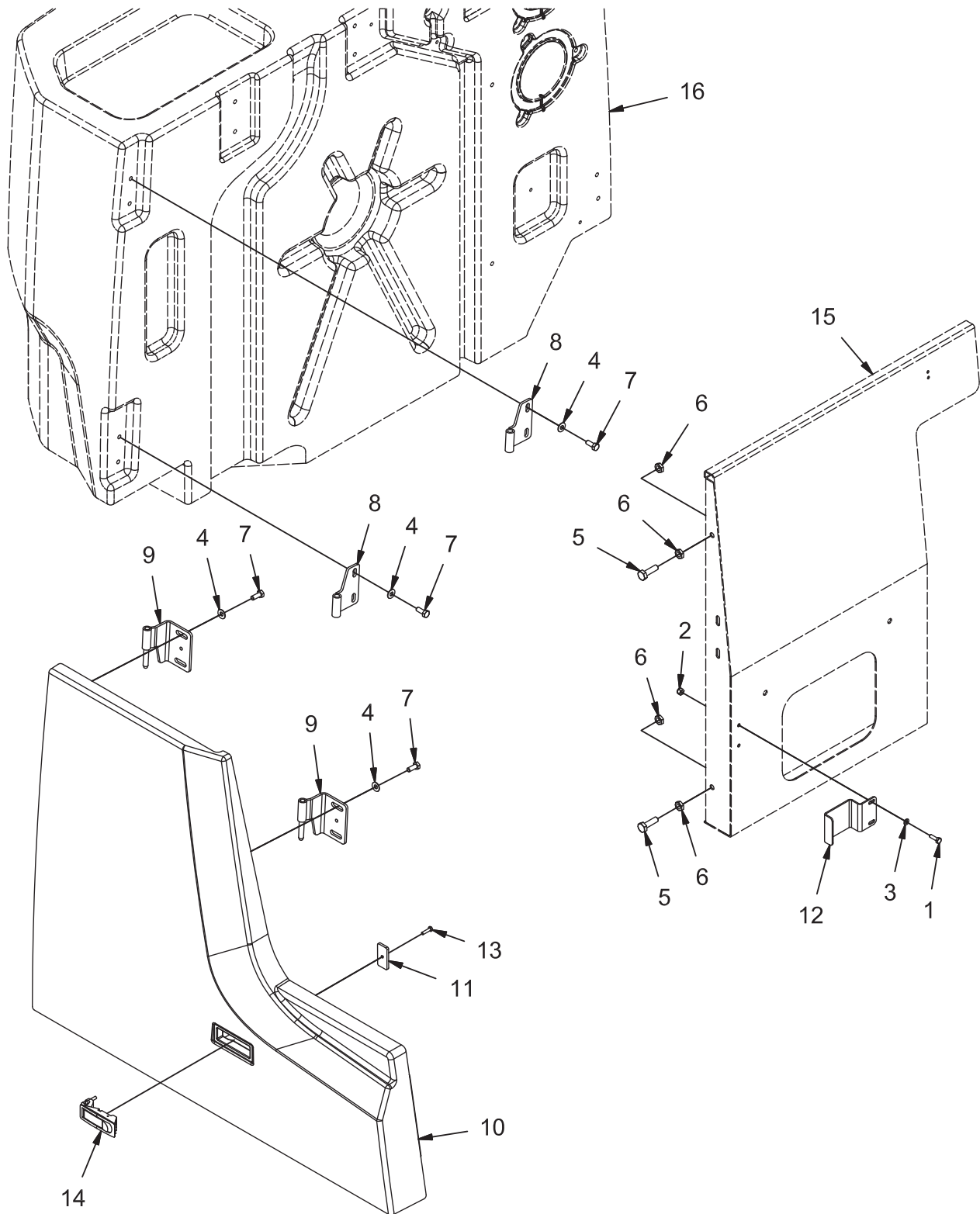


REV B

**VACUUM MOTOR GROUP (714733)**

Parts List 714733			
ITEM	PART NUMBER	QTY	DESCRIPTION
1	12040259	6	NUT, M8-1.25 ESN SS
2	321000	2	MUFFLER, VAC MOTOR
3	3401440	6	SCR-BHSCS 5/16-18 X 1.25 ZP
4	712683	6	NUT, 5/16-18 ESN SS
5	718098	2	MOTOR, VACUUM, 6.6D 36VDC 1-STAGE
6	718102	1	MOUNT, UPPER VAC MOTOR
7	718103	6	ISOLATOR, VIBRATION, 1.00 OD X .75 T
8	718104	2	GASKET, VAC MOTOR
9	718105	6	SPACER .344 B .563 OD .400 T
10	718106	1	MOUNT, LOWER VAC MOTOR
11	REF.	-	RECOVERY TANK
12	XXXXXX	2	TIE, NYLON, 3"

BATTERY DOOR GROUP (714734)

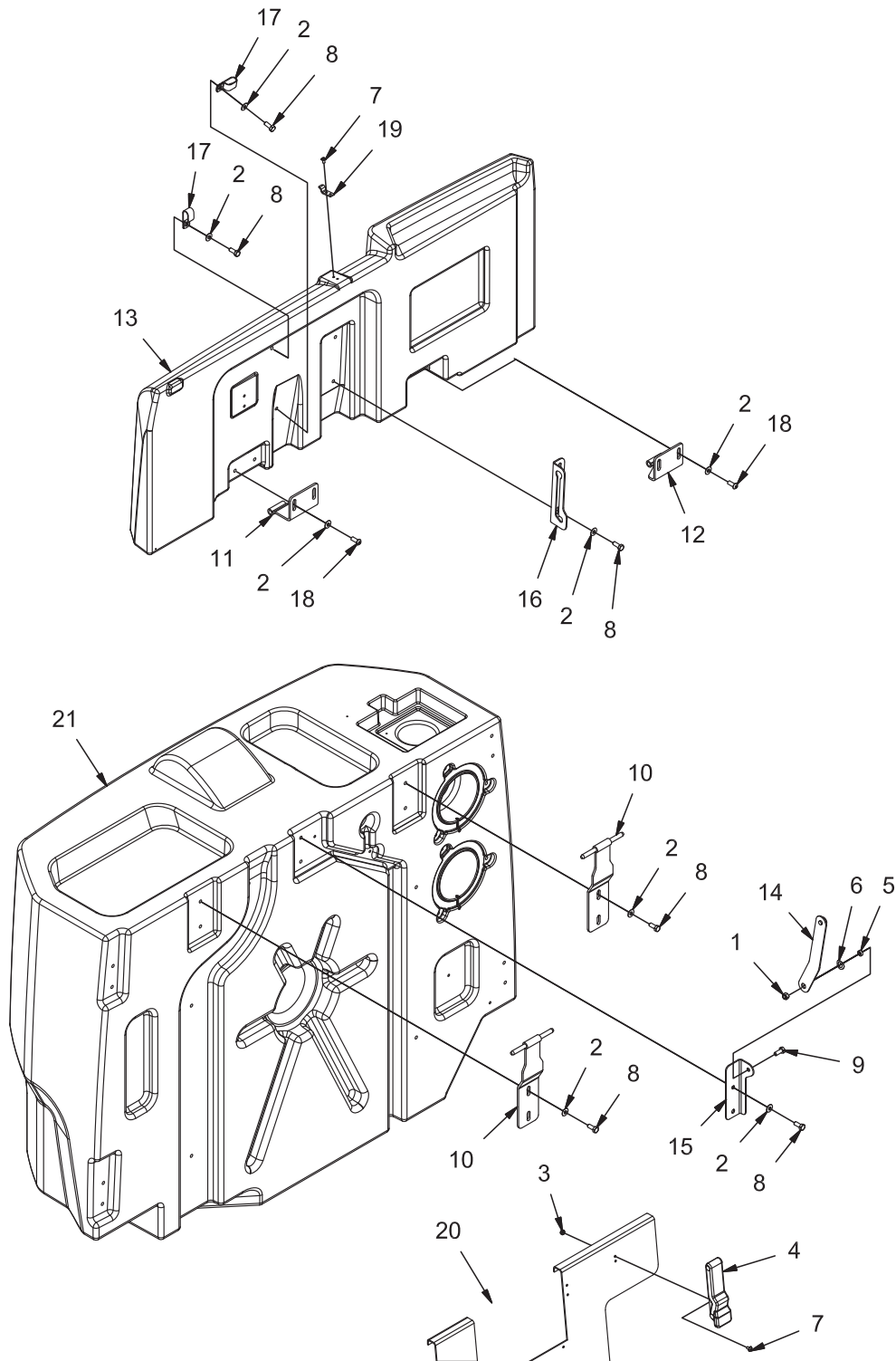


REV A

**BATTERY DOOR GROUP (714734)**

Parts List - 714734			
ITEM	PART NUMBER	QTY	DESCRIPTION
1	11038098	2	BOLT, M6-100 X 20 HH
2	12040044	2	NUT, M6-1.00 ESN
3	12310033	2	WASHER, M6
4	3400384	8	WASHER, 5/16 BELLEVILLE
5	600924	2	BOLT, M10-1.50 X 35 HH FULL THRD
6	717014	4	NUT, M10-1.50 JAM
7	717024	8	BOLT, M8-1.25 X 20 HH
8	718099	2	WELDMENT, RH HINGE, FEM
9	718100	2	WELDMENT, BAT HINGE, MALE
10	718119-1	1	BATTERY DOOR
11	718120	1	RETAINER, LATCH
12	718121	1	STOP, ELECT DOOR
13	730884	1	BOLT, M5-0.8 X 20 HHB
14	731433	1	LATCH
15	REF.	-	SEAT BACK
16	REF.	-	RECOVERY TANK

BATTERY COVER GROUP (714735)



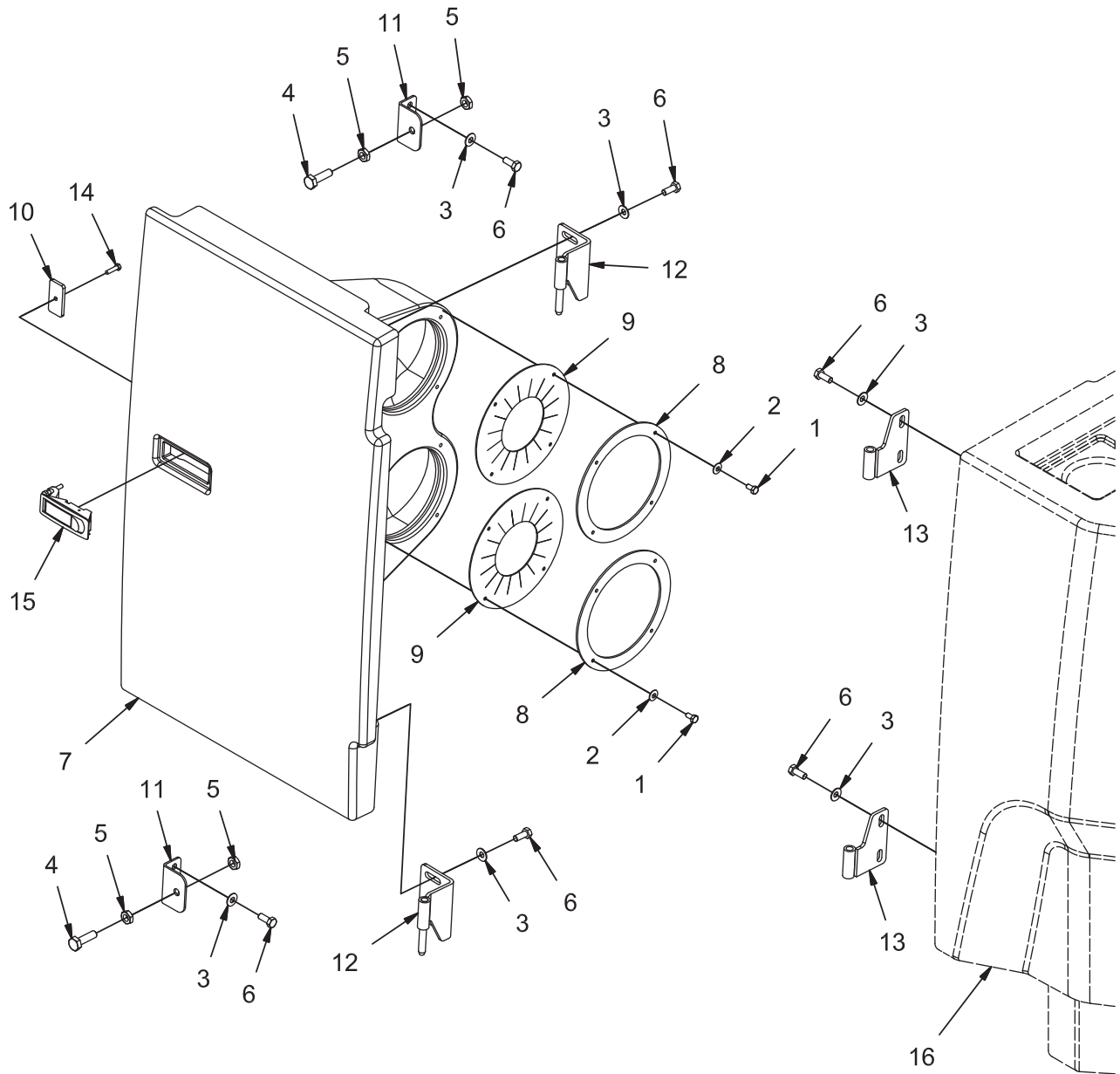
REV B



**BATTERY COVER GROUP (714735)**

Parts List - 714735			
ITEM	PART NUMBER	QTY	DESCRIPTION
1	12040259	1	NUT, M8-1.25 ESN SS
2	3400384	14	WASHER, 5/16 BELLEVILLE
3	3400399	2	NUT-NYLOC 10-24 SS
4	340664	1	LATCH, DRAW
5	600138	1	SPACER, .328 B .500 OD .188 T
6	600948	1	WASHER, .50 CURVED SPRING
7	712540	4	SCR-THMS 10-24 X .37 SS
8	717024	10	SCR-HH M8-1.25 X 20 ZP GRADE 8.8
9	717030	1	SCR-HH M8-1.25 X 20 SS
10	718107	2	WELDMENT, DUAL HINGE
11	718108	1	WELDMENT, RH HINGE, FEM
12	718110	1	WELDMENT, LH HINGE, FEM
13	718118-1	1	BATTERY COVER, RAW
14	718127	1	WELDMENT, COVER SUPPORT
15	718128	1	ANGLE, PIVOT
16	718129	1	ANGLE, SUPPORT TRACK
17	718212	2	CLAMP, TUBE, DOUBLE .56
18	730905	4	SCREW, M8-1.25 X 20 BUTTON HD CAP SS
19	PART OF 718133	1	LATCH, KEEPER
20	REF.	-	SEAT BACK
21	REF.	-	RECOVERY TANK

VACUUM DOOR GROUP (714736)

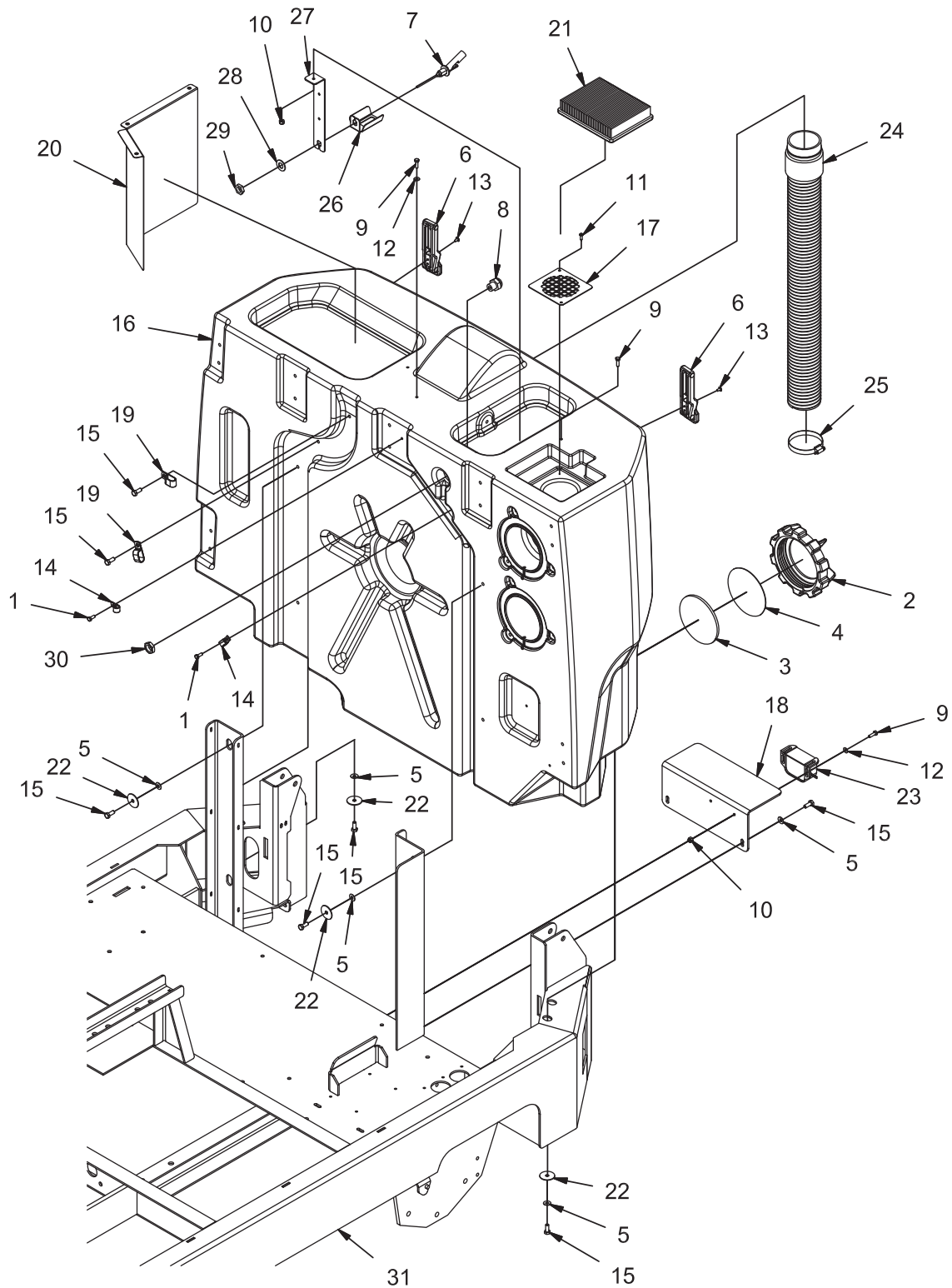


REV B

**VACUUM DOOR GROUP (714736)**

Parts List - 714736			
ITEM	PART NUMBER	QTY	DESCRIPTION
1	11038064	8	BOLT, M6-1.00 X 12 HH SS
2	3400383	8	WASHER, 1/4 BELLEVILLE
3	3400384	12	WASHER, 5/16 BELLEVILLE
4	600924	2	BOLT, M10-1.50 X 35 HH FULL THRD
5	717014	4	NUT, M10-1.50 JAM
6	717024	12	BOLT, M8-1.25 X 20 HH
7	718114-1	1	VACUUM DOOR
8	718115	2	RING, RETAINER
9	718116	2	RING, SEAL
10	718120	1	RETAINER, LATCH
11	718138	2	BRACKET, STOP
12	730405	2	WELDMENT, HINGE, MALE
13	730407	2	WELDMENT, HINGE, FEM
14	730884	1	BOLT, M5-0.8 X 20 HHB
15	731433	1	LATCH
16	REF.	-	RECOVERY TANK

RECOVERY TANK GROUP (714737)

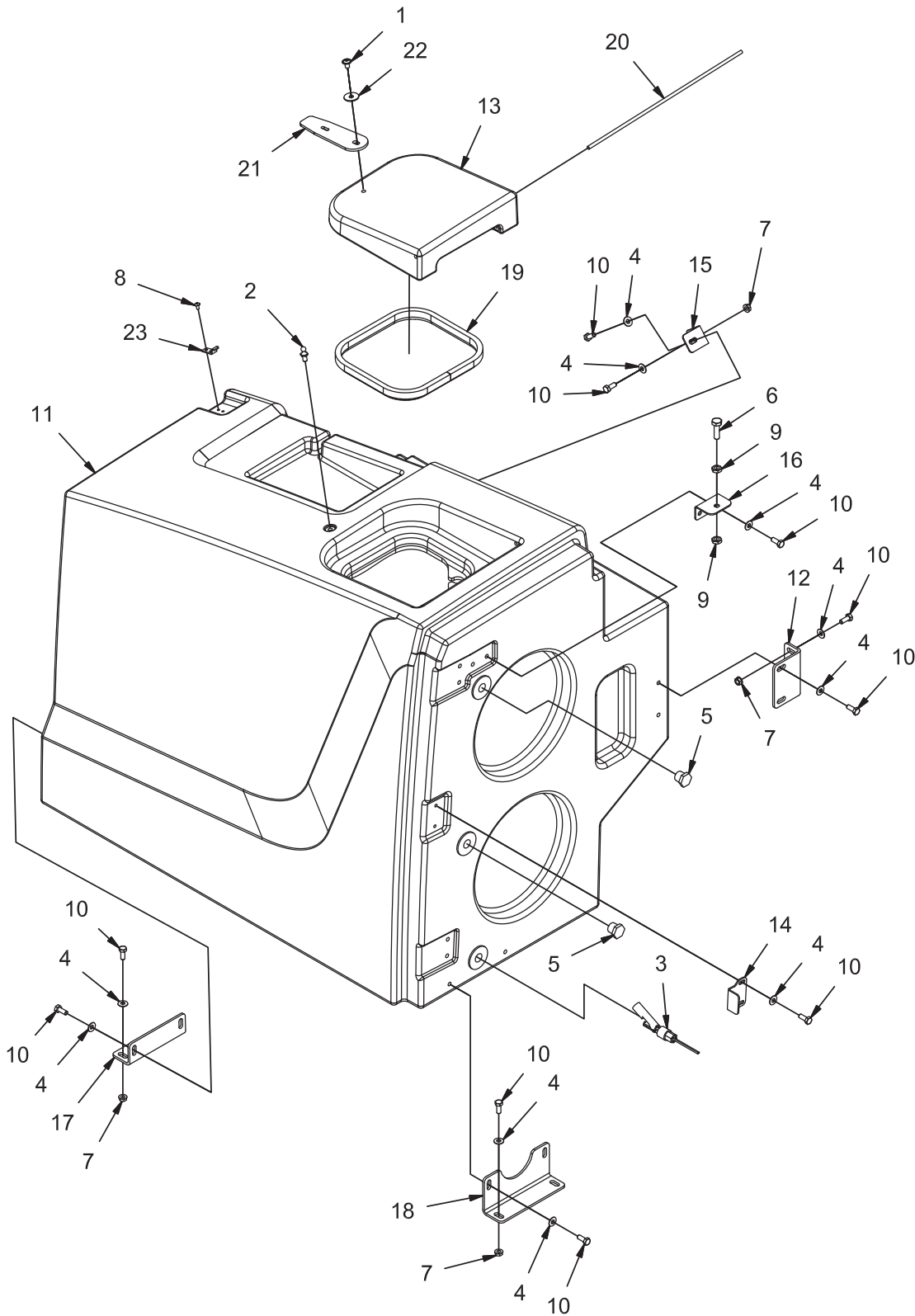


REV F

**RECOVERY TANK GROUP (714737)**

Parts List 714737			
ITEM	PART NUMBER	QTY	DESCRIPTION
1	11038072	2	SCR-HH M6-1.0 X 16 ZP CLASS 8.8
2	3309006	1	CAP, CLEANOUT
3	3309070	1	GASKET, 6" PLASTIC CAP
4	3309099	1	PLATE, BACKING FOR 6" CAP
5	3400384	10	WASHER, 5/16 BELLEVILLE
6	340664	2	LATCH, DRAW
7	500133-1	1	WIRE ASSY, SWITCH, FLOAT
8	600482	1	STRAIN RELIEF
9	600913	6	BOLT, M6-1.00 X 20 HH SS
10	600933	3	NUT, M6-1.00 ESN SS
11	711118	2	SCR- PHSMS 10-12 X .75 SS
12	711504	5	WASHER-FLAT 1/4 SS
13	712540	4	SCR-THMS 10-24 X .37 SS
14	713527	2	P-CLAMP, VINYL COVERED, 1/2 DIA
15	717024	12	BOLT, M8-1.25 X 20 HH
16	718096-1	1	TANK, RECOVERY
17	718208	1	SCREEN
18	718211	1	SUPPORT, TANK
19	718212	2	CLAMP, TUBE, DOUBLE .56
20	718377	1	DEFLECTOR ASSY
21	719191	1	FILTER, AIR
22	719452	8	WASHER, 5/16 FENDER SS
23	719513	1	BACKUP ALARM
24	730984	1	ASSEMBLY, UPPER SQUEEGEE HOSE
25	731144	1	CLAMP, HOSE, 2.25 - 3.25
26	731415	1	GUARD, FLOAT
27	770458	1	REC TANK FLOAT SW MNT
28	PART OF 500133-1	1	GASKET
29	PART OF 500133-1	1	NUT, PLASTIC
30	PART OF 600482	1	NUT, PLASTIC
31	REF.	-	FRAME

SOLUTION TANK GROUP (714738)

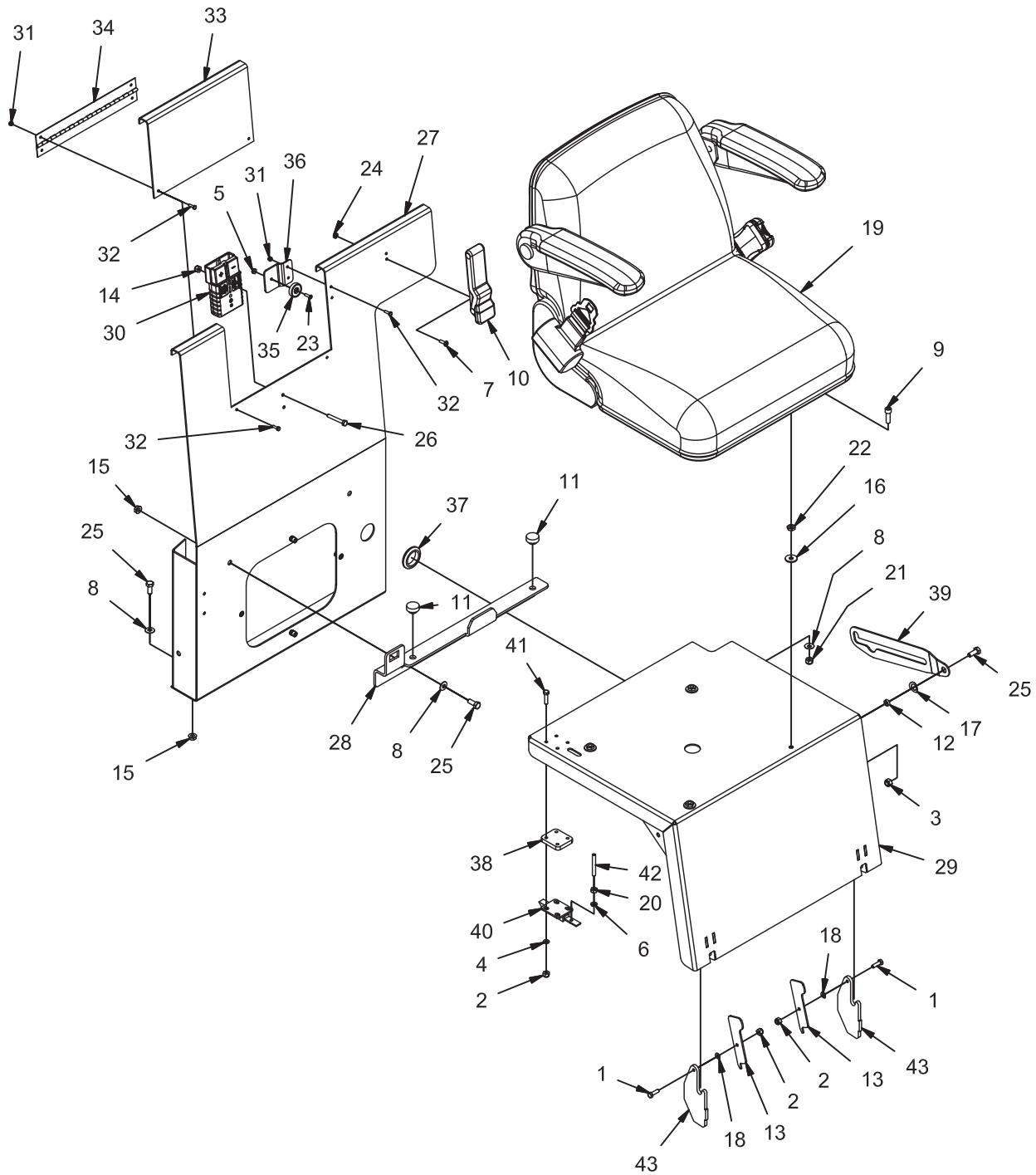


REV A

**SOLUTION TANK GROUP (714738)**

Parts List 714738			
ITEM	PART NUMBER	QTY	DESCRIPTION
1	11177253	1	SC BHCS W/ FLANGE M8-1.25 X 12 SS
2	3300376	1	STUD, 10MM BALL
3	3302737-1	1	SWITCH, FLOAT
4	3400384	18	WASHER, 5/16 BELLEVILLE
5	500122	2	1/2 NPT PLASTIC PLUG
6	600924	1	BOLT, M10-1.50 X 35 HH FULL THRD
7	600934	7	NUT, M8-1.25 FLNG
8	712540	2	SCR-THMS 10-24 X .37 SS
9	717014	2	NUT, M10-1.50 JAM
10	717024	18	BOLT, M8-1.25 X 20 HH
11	718123-1	1	TANK, SOLUTION
12	718124	1	BRACKET, SIDE SOL TANK
13	718132-1	1	COVER, SOLUTION
14	718135	1	STRIKER, VAC DOOR
15	718137	1	BRACKET, ANGLE
16	718138	1	BRACKET, STOP
17	718139	1	MOUNT, FRONT SOL TANK
18	718140	1	MOUNT, REAR SOL TANK
19	718145	1	SEAL, SOL COVER
20	730493	1	ROD, SOL COVER
21	730525	1	RETAINER, COVER
22	730526	1	WASHER, M8 FENDER SS
23	PART OF 718133	1	LATCH, KEEPER

SEAT MOUNT GROUP (714740)



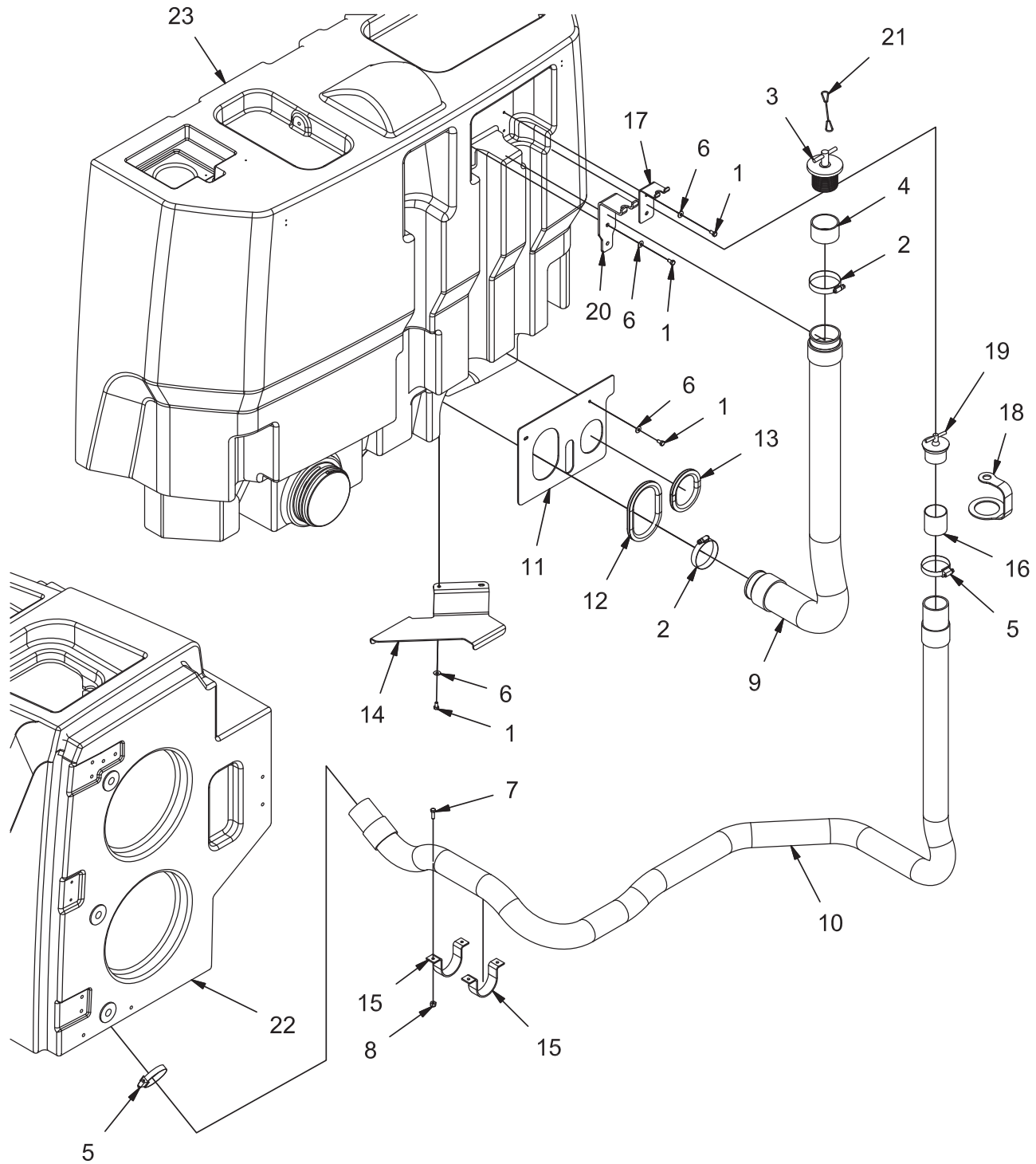
REV E



**SEAT MOUNT GROUP (714740)**

Parts List 714740			
ITEM	PART NUMBER	QTY	DESCRIPTION
1	11038098	2	BOLT, M6-100 X 20 HH
2	12040044	6	NUT, M6-1.00 ESN
3	12040051	1	NUT, M8-1.25 ESN
4	12310033	4	WASHER, M6
5	3400082	1	NUT, FIBER INSERT #8-32
6	3400103	1	WASHER-LOCK 1/4 SPLIT ZP
7	3400204	2	SCREW, #10-32 X .625 PAN HD ZP
8	3400384	8	WASHER, 5/16 BELLEVILLE
9	3400478	4	SCR-SHCS 5/16-18 X 1.0 ZP
10	340664	1	LATCH, DRAW
11	600117	2	BUMPER, 1.00 X .339 T
12	600138	1	SPACER, .328 B .500 OD .188 T
13	600194	2	LATCH, COVER
14	600933	2	NUT, M6-1.00 ESN SS
15	600934	4	NUT, M8-1.25 FLNG
16	600940	4	WASHER, M8 FENDER
17	600948	1	WASHER, .50 CURVED SPRING
18	600963	2	WASHER, M6, CURVED SPRING
19	623000	1	SEAT
20	711316	1	NUT, HEX 1/4-20 ZINC PL
21	711374	4	NUT, FIBER INSERT 5/16-18
22	711420	4	NUT-JAM 5/16-18 ZP
23	712007	1	SCR-FHMS #8-32 X .625 ZP
24	712636	2	NUT-HEX 10-32 SS
25	717024	5	BOLT, M8-1.25 X 20 HH
26	718009	2	SCR-HH M6-1.0 X 45 SS
27	718122-1	1	ASSEMBLY, SEAT BACK PANEL
28	718125	1	SUPPORT, SEAT MNT
29	718126	1	WELDMENT, SEAT MNT
30	718134	1	CONNECTOR, 350A, GRAY
31	718263	6	NUT-NYLOC M4-0.7 ZP
32	718267	6	SCR-HH M4-0.7 X 14 ZP
33	718391	1	PLATE, BATTERY DOOR
34	718392	1	HINGE, 2 X 11
35	718393	1	MAGNET, 1.125 X .270 THK, 30 LB
36	718394	1	PLATE, BATTERY DOOR MAGNET
37	719109	1	GROMMET 1.25ID .06GRV 1.50D HOLE RBR
38	730486	1	PLT, SPACER
39	730487	1	SUPPORT, SEAT MNT
40	730488	1	SLIDE LATCH
41	731006	4	BOLT, M6-1.00 X 25 HH ZP
42	731163	1	ROD, LATCH
43	REF.	-	FRAME

TANK DRAIN HOSE GROUP (714747)

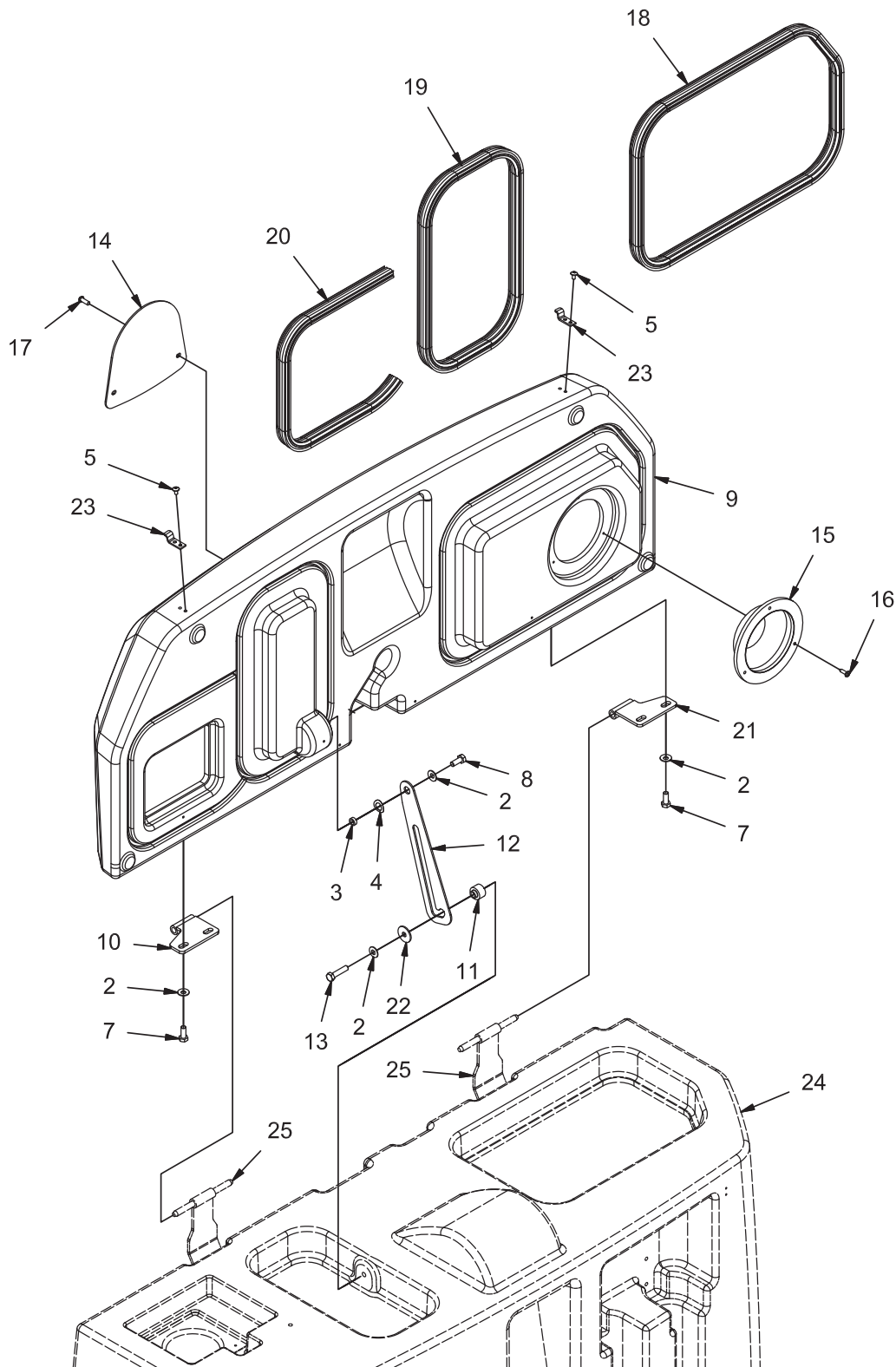


REV C

**TANK DRAIN HOSE GROUP (714747)**

Parts List 714747			
ITEM	PART NUMBER	QTY	DESCRIPTION
1	11038064	8	BOLT, M6-1.00 X 12 HH SS
2	3300336	2	CLAMP - SCREW 2" TO 3" DIA 201SS
3	3300451	1	PLUG-ADJ DRAIN HOSE CLOSURE
4	3300509	1	TUBE-WD TANK
5	3312189	2	CLAMP, HOSE, 2.00
6	3400383	8	WASHER, 1/4 BELLEVILLE
7	600913	4	BOLT, M6-1.00 X 20 HH SS
8	600933	4	NUT, M6-1.00 ESN SS
9	718189	1	ASSEMBLY, REC DRAIN HOSE
10	718190	1	ASSEMBLY, SOL DRAIN HOSE
11	718192	1	PLATE, DRAIN HOSE
12	718193	1	EDGING, 3/16 X 15.0"
13	718194	1	EDGING, 3/16 X 10.5"
14	718195	1	SUPPORT, HOSE
15	718309	2	HANGER, 2.38
16	730518	1	TUBE, SS
17	730519	1	RETAINER, SOL HOSE
18	730520	1	LANYARD, CAP
19	730531	1	PLUG, EXPANSION, 1.88
20	731528	1	RETAINER, RECOVERY HOSE
21	731539	1	LANYARD
22	REF.	-	SOLUTION TANK
23	REF.	-	RECOVERY TANK

DEMISTER GROUP (714749)

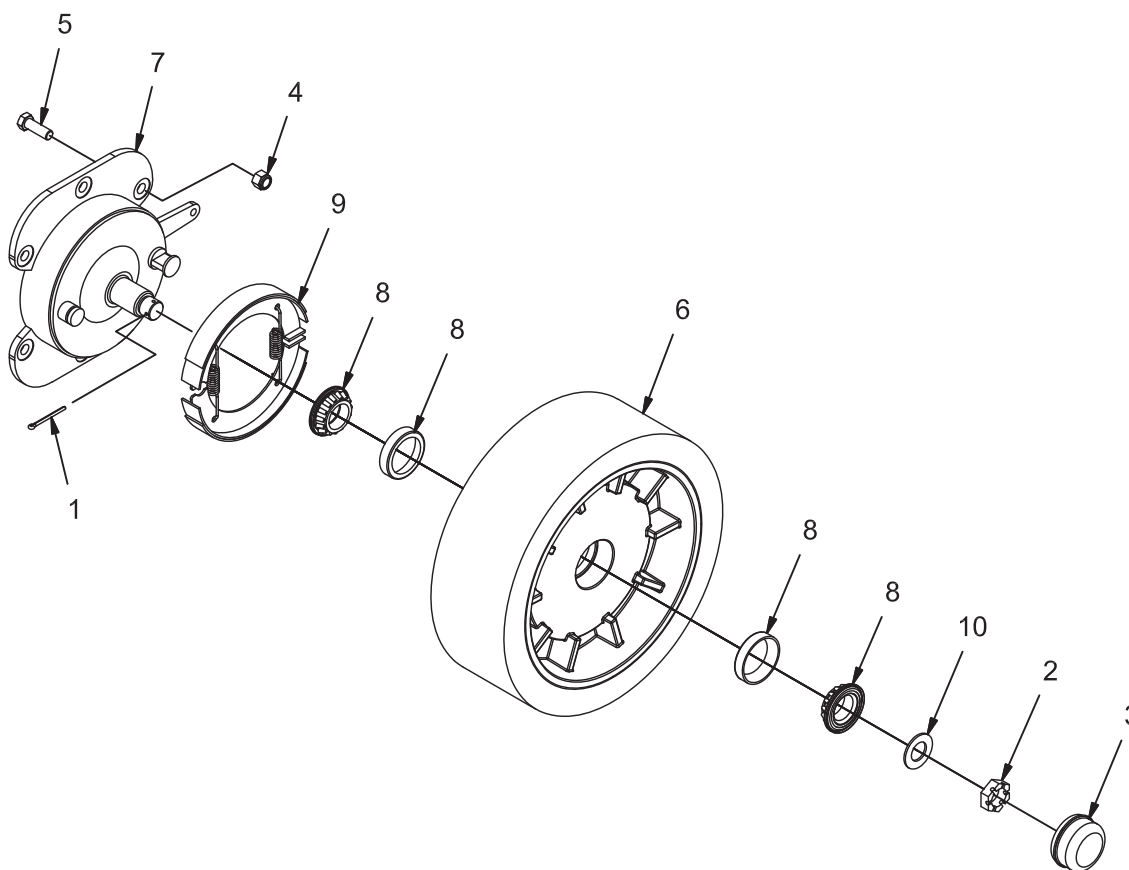


REV A

**DEMISTER GROUP (714749)**

Parts List 714749			
ITEM	PART NUMBER	QTY	DESCRIPTION
1	11038072	1	BOLT, M6-1.00 X 16 HH
2	3400384	6	WASHER, 5/16 BELLEVILLE
3	600138	1	SPACER, .328 B .500 OD .188 T
4	600948	1	WASHER, .50 CURVED SPRING
5	712540	4	SCR-THMS 10-24 X .37 SS
6	713527	1	P-CLAMP, VINYL COVERED, 1/2 DIA
7	717024	4	BOLT, M8-1.25 X 20 HH
8	717030	1	SCR-HH M8-1.25 X 20 SS
9	718097-1	1	DEMISTER
10	718099	1	WELDMENT, RH HINGE, FEM
11	718111	1	SPACER, .344 B .875 OD .750 T
12	718112	1	SUPPORT, DEMISTER
13	718113	1	SCR-HH M8-1.25 X 35 SS
14	718131	1	COVER, DEMISTER
15	718206	1	INLET SCREEN
16	711118	3	SCR- PHSMS 10-12 X .75 SS
17	718213	2	SCR-BHCS M6-1.00 X 16 CHROME
18	718306	1	SEAL, EXTRUSION, RH
19	718307	1	SEAL, EXTRUSION, CENTER
20	718308	1	SEAL, EXTRUSION, LH
21	730407	1	WELDMENT, HINGE, FEM
22	730526	1	WASHER, M8 FENDER SS
23	PART OF 718133	2	LATCH, KEEPER
24	REF.	-	RECOVERY TANK
25	REF.	-	DUAL HINGE

**REAR WHEEL GROUP (714757)**

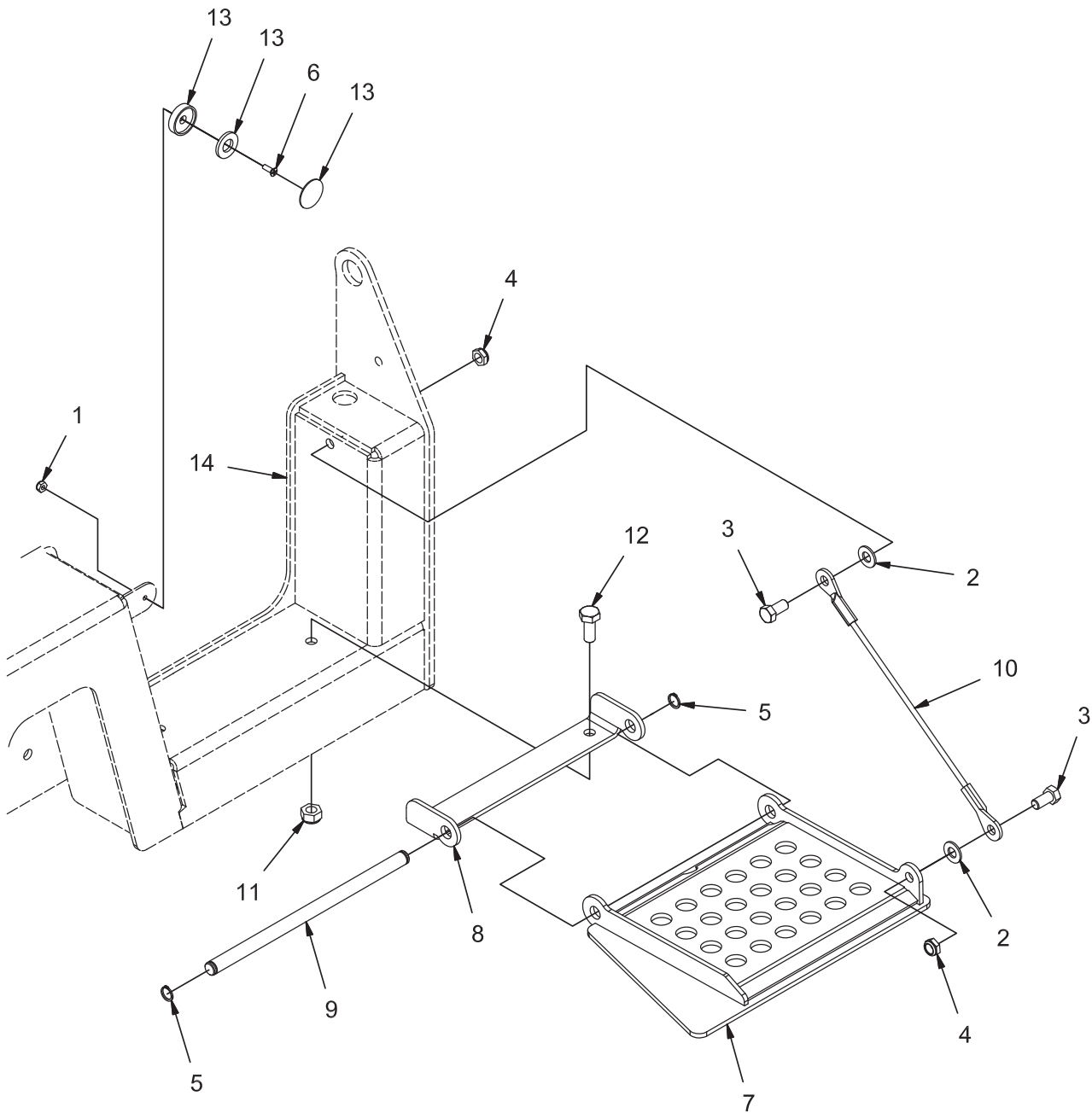


**REV B**

**REAR WHEEL GROUP (714757)**

Parts List 714757			
ITEM	PART NUMBER	QTY	DESCRIPTION
1	3400120	2	PIN-COTTER 5/32 X 2.00 ZP
2	3400223	2	NUT, 1-20 SLOTTED ZP
3	383250	2	GREASE CAP
4	711376	12	NUT, FIBER INSERT 1/2-13
5	712047	12	SCREW, 1/2-13 X 1.50 HHC
6	714501	2	ASSEMBLY, POLYURETHANE TIRE
7	730316	2	ASSEMBLY, BRAKE-AXLE
8	730353	4	BEARING SET, 1.38 BORE CUP AND CONE
9	730357	1	BRAKE SHOE REPLACEMENT KIT
10	730358	2	SPACER, 1.03 B 1.88 OD .105 T

REAR STEP GROUP (714758)



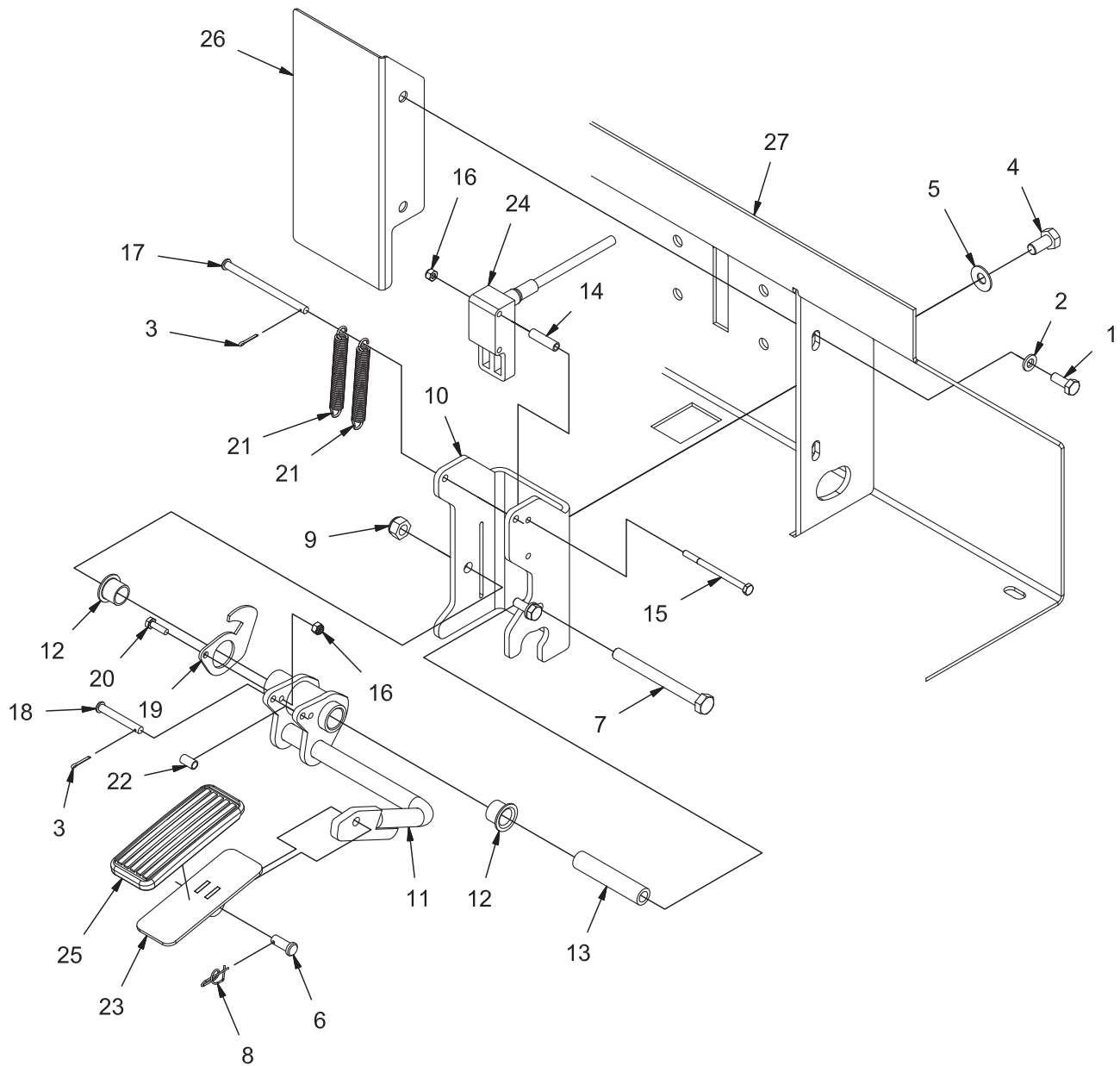
REV A



**REAR STEP GROUP (714758)**

Parts List 714758			
ITEM	PART NUMBER	QTY	DESCRIPTION
1	3400082	1	NUT, FIBER INSERT #8-32
2	3400087	2	WASHER, 3/8
3	3400335	2	SCREW, 3/8-16 X .750 HH SS
4	3401028	2	NUT, FIBER INSERT 3/8-16 JAM
5	600569	2	RETAINING RING, EXT .50 HD
6	712008	1	SCR-FHMS #8-32 X .50 ZP
7	718237	1	WELDMENT, REAR STEP
8	718238	1	MOUNT, REAR STEP
9	718239	1	PIN, ROLLER
10	718240	1	CABLE, REAR STEP
11	730339	2	NUT, M10-1.50 ESN SS
12	730958	2	BOLT, M10-1.50 X 25 HH SS
13	770137	1	ASSEMBLY, MAGNET
14	REF.	-	REAR BUMPER

CONTROL PEDAL GROUP (714761)

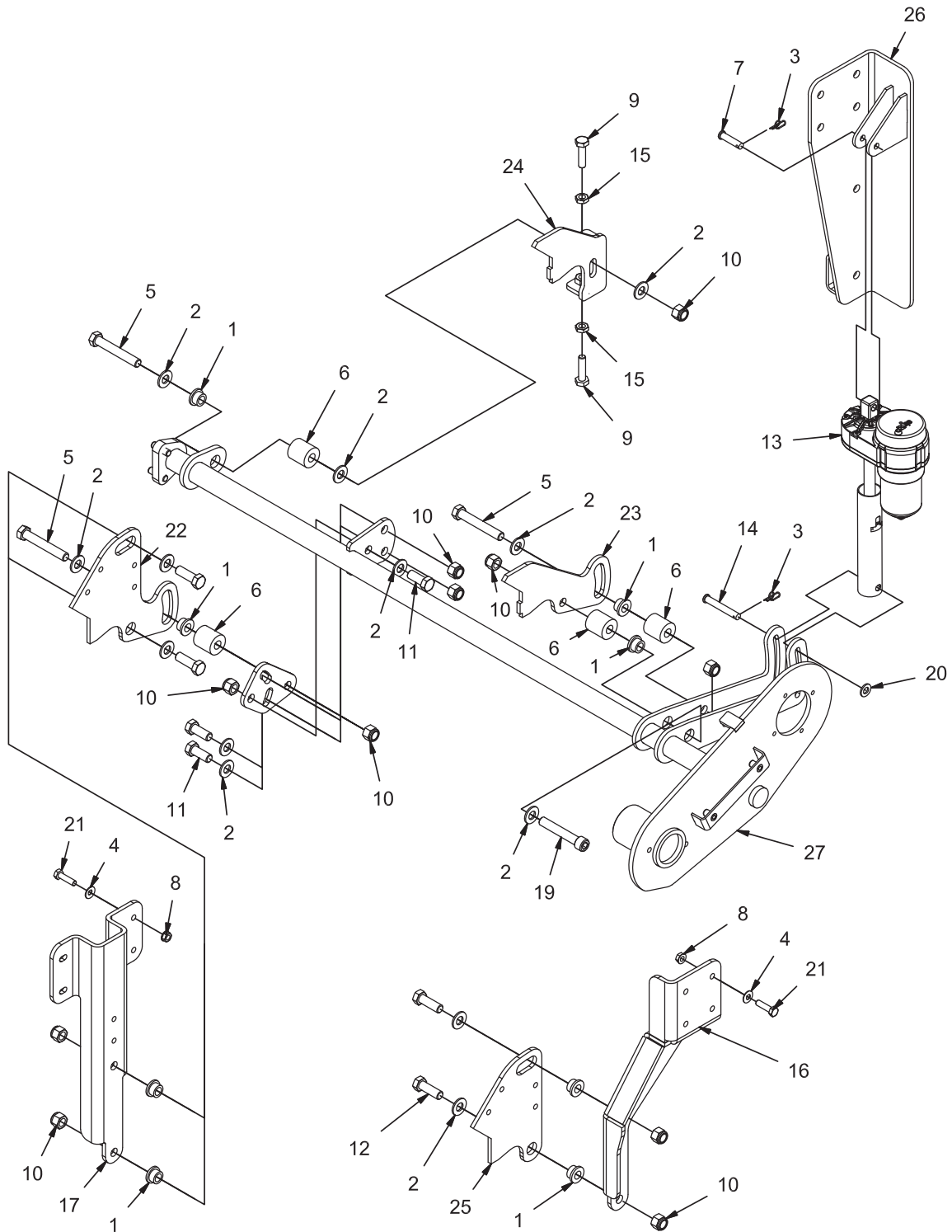


REV B

**CONTROL PEDAL GROUP (714761)**

Parts List 714761			
ITEM	PART NUMBER	QTY	DESCRIPTION
1	11038072	2	BOLT, M6-1.00 X 16 HH
2	12310033	2	WASHER, M6
3	3343065	2	PIN-COTTER 1/16 X .50 SS
4	3400291	2	BOLT, M8-1.25 X 16 HH
5	3400384	2	WASHER, 5/16 BELLEVILLE
6	3400425	1	PIN, CLEVIS, .25 X .625
7	3400471	1	SCR-HH 5/16-18 X 3.25 ZP
8	3400742	1	RUE-RING, .25
9	711374	1	NUT, FIBER INSERT 5/16-18
10	718256	1	WELDMENT, PEDAL BASE
11	718257	1	WELDMENT, PEDAL ARM
12	718258	2	BEARING, DU FLANGED 1/2 X 1/2
13	718259	1	SPACER,
14	718261	2	SPACER, .250 OD .180 ID .920 L
15	718262	2	SCR-HH M4-0.7 X 60 ZP
16	718263	3	NUT-NYLOC M4-0.7 ZP
17	718264	1	PIN-CLEVIS 3/16 X 3.0 SS
18	718265	1	PIN-CLEVIS 3/16 X 1.50 ZP
19	718266	1	CAM, DIR CONT
20	718267	1	SCR-HH M4-0.7 X 14 ZP
21	718268	2	SPRING, EXT .360 OD .055 WIRE 2.75 L
22	718269	1	SPACER, .250 OD .194 ID .438 .440 L
23	718270	1	WELDMENT, PEDAL
24	718276	1	SENSOR, NON-CONTACT
25	718285	1	PAD, PEDAL
26	718386	1	WELDMENT, PEDAL COVER
27	REF.	-	CONSOLE

**DISC GROUPS**  
**MAIN BROOM LIFT GROUP (714714)**

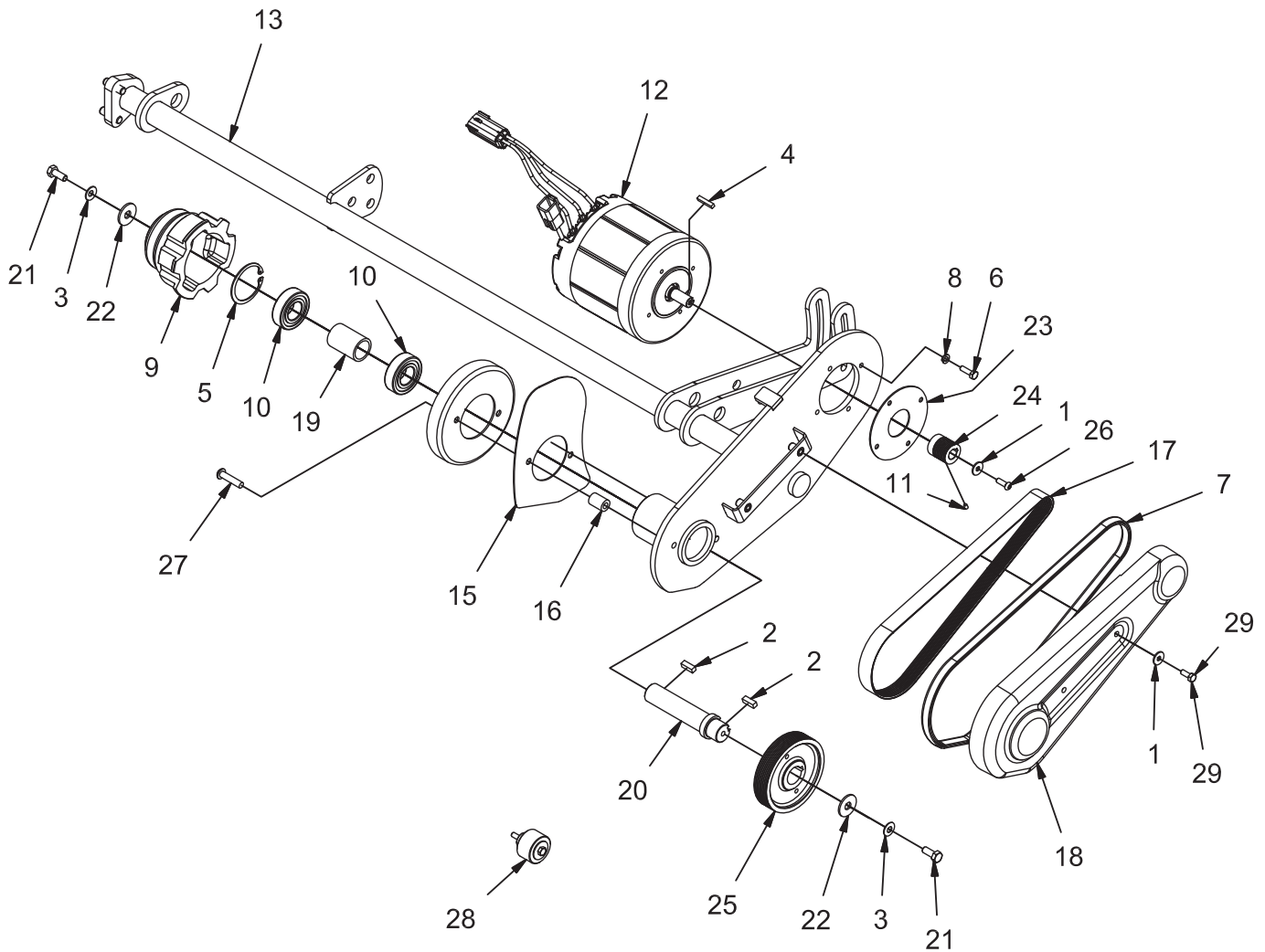


REV C

**MAIN BROOM LIFT GROUP (714714)**

Parts List 714714			
ITEM	PART NUMBER	QTY	DESCRIPTION
1	3300432	8	BUSHING, FLANGE
2	3400086	13	WASHER, 1/2, 1.063 X .531 X .094
3	3400125	2	RUE-RING, .375
4	3400384	8	WASHER, 5/16 BELLEVILLE
5	3400761	3	BOLT, 1/2-13 X 3.25 HHC
6	600520	4	SPACER, .531 B 1.25 OD 1.31 T
7	600573	1	PIN, CLEVIS, 3/8 X 1.50
8	600934	8	NUT, M8-1.25 FLNG
9	600962	2	BOLT, M10-1.50 X 40 HH FULL THRD
10	711376	11	NUT, FIBER INSERT 1/2-13
11	712010	3	SCR-HH 1/2-13 X 1.25 ZP GR 5
12	712047	4	SCREW, 1/2-13 X 1.50 HHC
13	714585-1	1	ACTUATOR, 36VDC, 3000N, 100MM STK
14	714594	1	PIN, CLEVIS 3/8 X 2.50 ZP
15	717014	2	NUT, M10-1.50 JAM
16	718340	1	HEAD MNT, LH
17	718341	1	HEAD MNT, RH
18	719178	1	MB LEVELING PLT
19	719179	1	SCR-SHCS 1/2-13 X 3.00 ZP
20	730344	1	WASHER, M10 SS
21	730506	8	BOLT, M8-125 X 30 HH SS
22	REF	-	MB CHAMBER
23	REF	-	MB CHAMBER
24	REF.	-	MB CHAMBER
25	REF	-	MB CHAMBER
26	REF.	-	SCRUB HEAD MNT
27	REF.	-	MB ARM

MAIN BROOM DRIVE GROUP (714715)

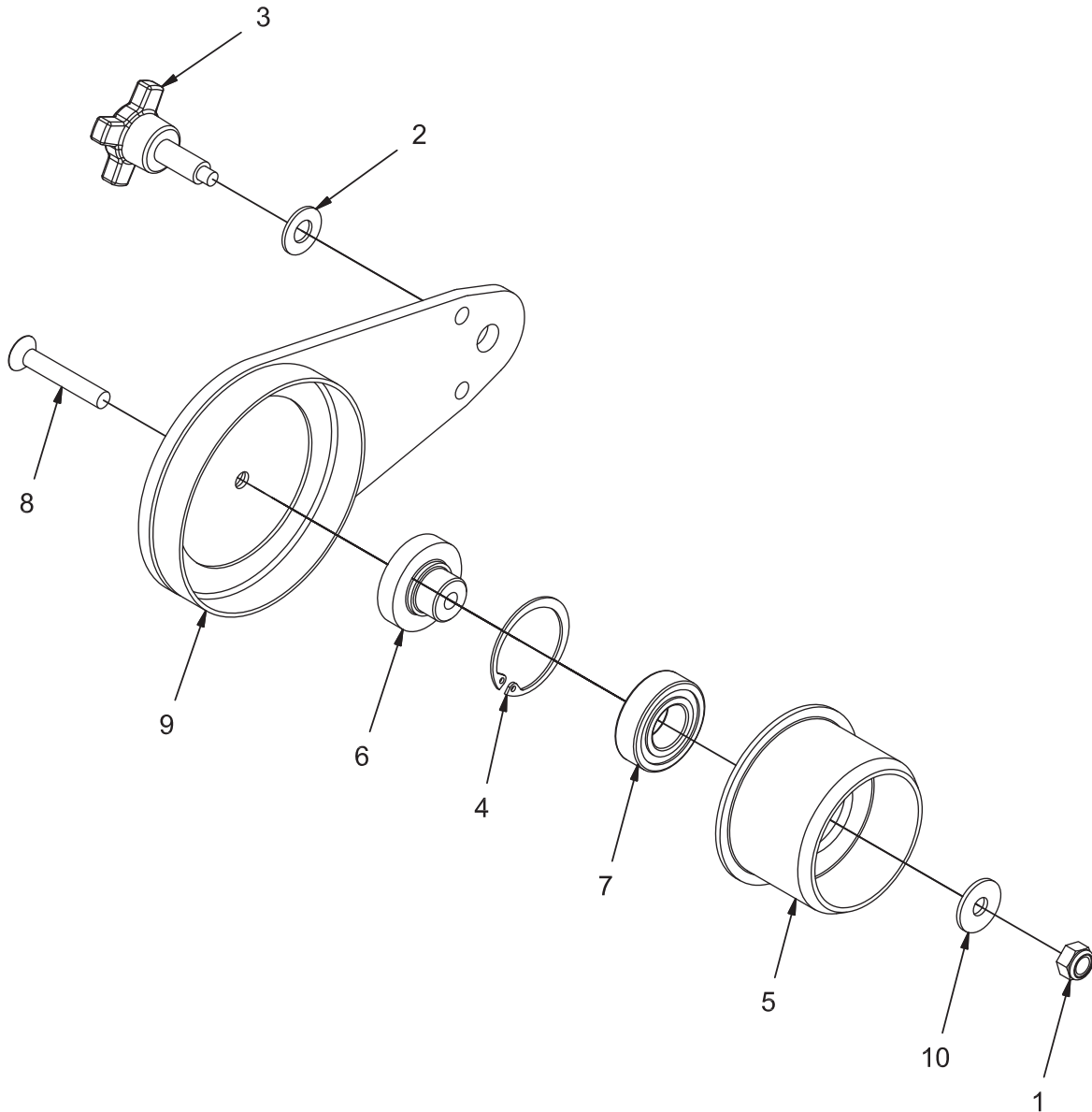


REV D

**MAIN BROOM DRIVE GROUP (714715)**

Parts List 714715			
ITEM	PART NUMBER	QTY	DESCRIPTION
1	12332011	3	WASHER-FLAT M6.4 X 18 X 1.6 ZP
2	200528	2	KEY-1/4 X 1/4 X 3/4
3	3400384	2	WASHER, 5/16 BELLEVILLE
4	48-277-A	1	KEY-3/16 X 3/16 X 1
5	600575	1	RING, RETAINING INT, 2.00
6	600913	4	BOLT, M6-1.00 X 20 HH SS
7	620065	1	EXTRUSION, BULB
8	711488	4	WASHER-LOCK M6 SPLIT, HIGH-COLLAR, SS
9	714503-1	1	DRIVER
10	714519	2	BEARING, BALL, .98 B 2.05 D .59 W
11	714523	1	SCR-SET 8-32 X .25 SS
12	714524	1	MOTOR, 36 VDC 1750 RPM 1.5 HP
13	714593-1	1	ASSEMBLY, MB ARM
14	714596	1	GUARD, STRING
15	714597	1	SHIELD
16	714598	2	SPACER, .328 B .63 OD .875 T
17	714599	1	BELT, 9 RIB
18	714600	1	GUARD, BELT
19	714601	1	SPACER, BRG
20	714603	1	SHAFT, BROOM DRIVE
21	717030	2	SCR-HH M8-1.25 X 20 SS
22	717040	2	WASHER, FENDER, .413 B 1.18 OD .098 T SS
23	718204	1	SEAL, RING
24	718286	1	PULLEY, MOTOR
25	718287	1	PULLEY, BRUSH
26	718290	1	SCR-BHSCS M6-1.0 X 18 ZP
27	718299	2	SCR-BHSCS M8-1.25 X 35 ZP
28	718419-1	1	TOOL, BATTERY BELT ASSEMBLY
29	730934	2	BOLT, M6-1.00 X 16 HH SS

MAIN BROOM IDLER GROUP (714716)



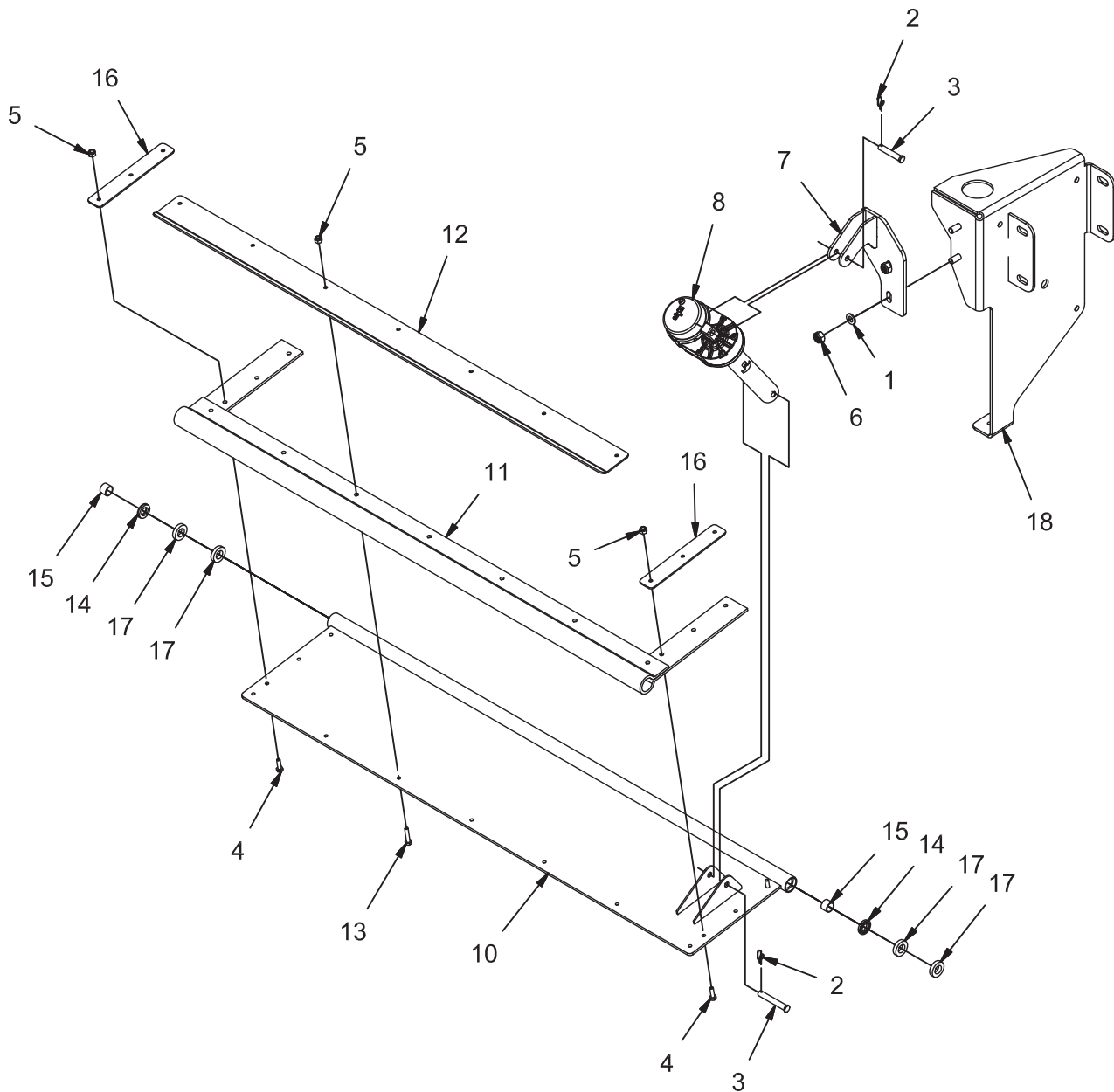
REV C



**MAIN BROOM IDLER GROUP (714716)**

Parts List 714716			
ITEM	PART NUMBER	QTY	DESCRIPTION
1	12040069	1	NUT, M10-1.50 ESN
2	3400387	1	WASHER, .50 CONICAL
3	3400748	1	KNOB
4	600575	1	RING, RETAINING INT, 2.00
5	714504	1	HUB, IDLER
6	714505	1	MOUNT, BEARING
7	714519	1	BEARING, BALL, .98 B 2.05 D .59 W
8	11225620	1	SCR-FHSCS M10-1.50 X 60 ZP
9	714595	1	WELDMENT, IDLER ARM
10	717040	1	WASHER, FENDER, .413 B 1.18 OD .098 T SS

HOPPER DUMP DOOR GROUP (714717)

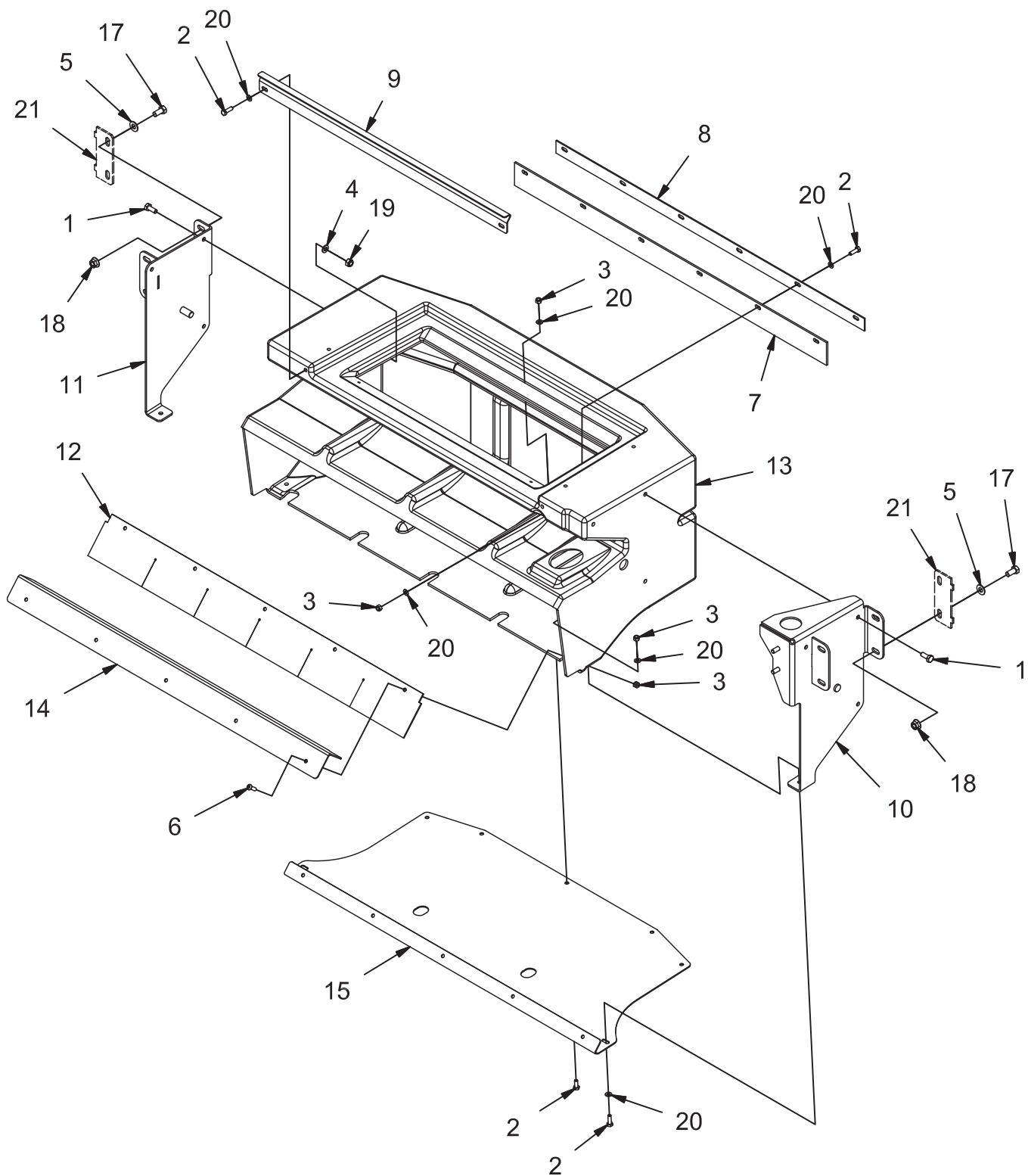


REV D

**HOPPER DUMP DOOR GROUP (714717)**

Parts List 714717			
ITEM	PART NUMBER	QTY	DESCRIPTION
1	12310058	2	WASHER, M10
2	3400125	2	RUE-RING, .375
3	3400266	2	PIN, CLEVIS, 3/8 X 2.00
4	600913	6	BOLT, M6-1.00 X 20 HH SS
5	600933	13	NUT, M6-1.00 ESN SS
6	711417	2	NUT-NYLOC M10 x 1.25 ZP
7	714543	1	WELDMENT, ACT BRACKET
8	718205-1	1	ACTUATOR, 36VDC, 3000N, 100MM STK
10	714614	1	WELDMENT, HOPPER DOOR
11	714615	1	SEAL, HOPPER DOOR
12	714616	1	RETAINER, SEAL
13	731050	7	BOLT, M6-100 X 30 HH SS
14	770474	2	SEAL, .625, LOADED LIP
15	770475	2	BEARING, FIBERGLIDE .625 ID .50 T
16	770477	2	RETAINER, SEAL
17	770501	4	SEAL, DOOR PIN
18	REF.	-	HOPPER SIDE PLATE

HIGH DUMP HOPPER GROUP (714718)

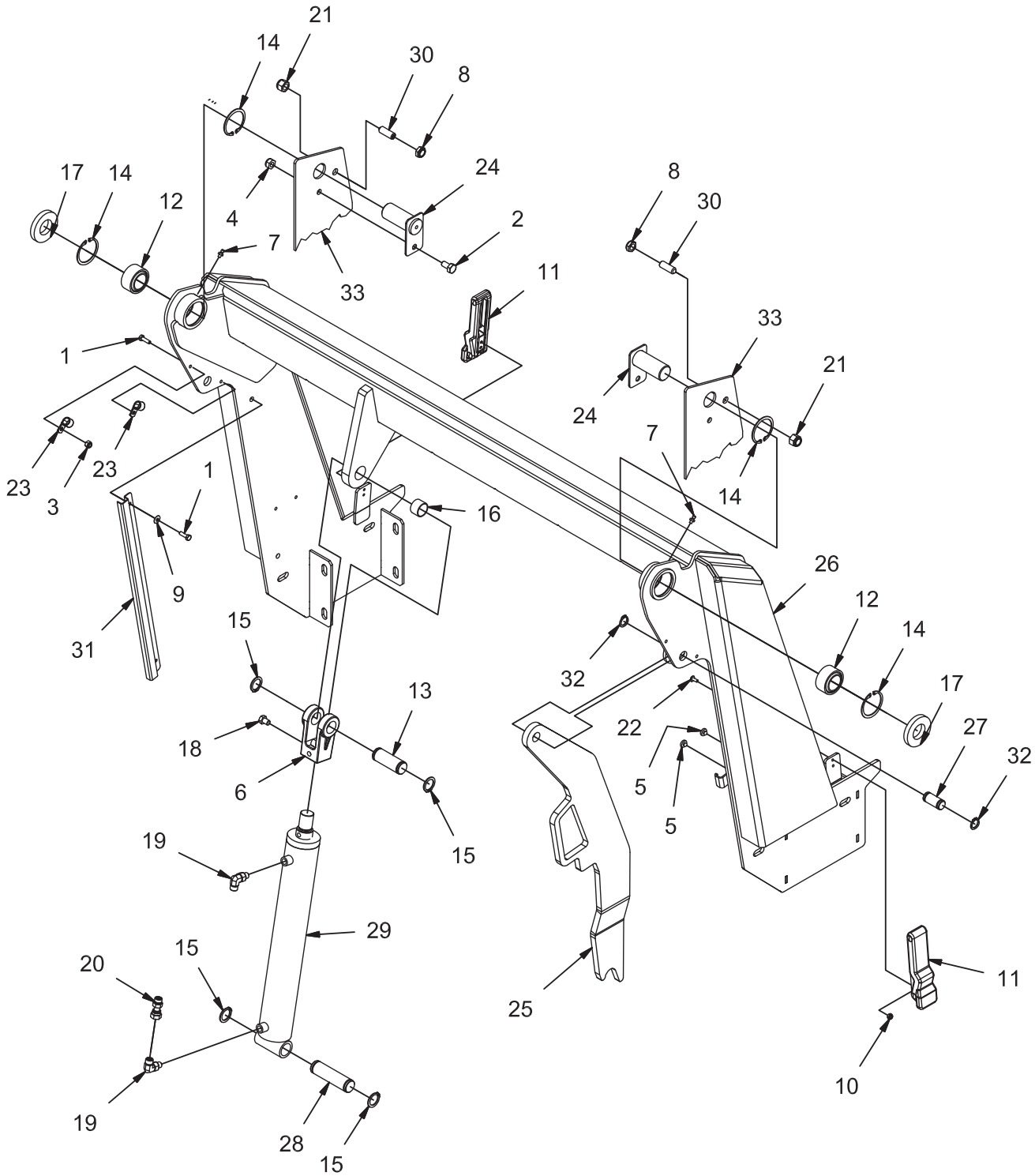


REV B

**HIGH DUMP HOPPER GROUP (714718)**

Parts List 714718			
ITEM	PART NUMBER	QTY	DESCRIPTION
1	11038346	6	BOLT, M10-1.50 X 25 HH
2	11039567	15	BOLT, M8-1.25 X 25 HH SS
3	12040259	20	NUT, M8-1.25 ESN SS
4	12310058	6	WASHER, M10
5	3400387	8	WASHER, .50 CONICAL
6	600917	5	SCREW, M8-1.25 X 25 BUTTON HD CAP SS
7	714617	1	SEAL, UPPER DOOR
8	714618	1	RETAINER, UPPER DOOR SEAL
9	714620	1	ANGLE, FILTER
10	714621	1	WELDMENT, RH HOPPER MNT
11	714622	1	WELDMENT, LH HOPPER MNT
12	714624	1	SKIRT, HOPPER LIP
13	714625-1	1	HOPPER
14	714626	1	RETAINER, HOPPER SKIRT
15	714627	1	SKID PLATE, HOPPER
17	718150	8	SCR-HH M12-1.75 X 25 FULL THRD SS
18	718235	8	NUT-FLANGE WIZZ M12-1.75 ZP
19	730339	6	NUT, M10-1.50 ESN SS
20	730609	25	WASHER, M8 SS
21	REF.	-	HOPPER LIFT ARM

HOPPER LIFT GROUP (714719)

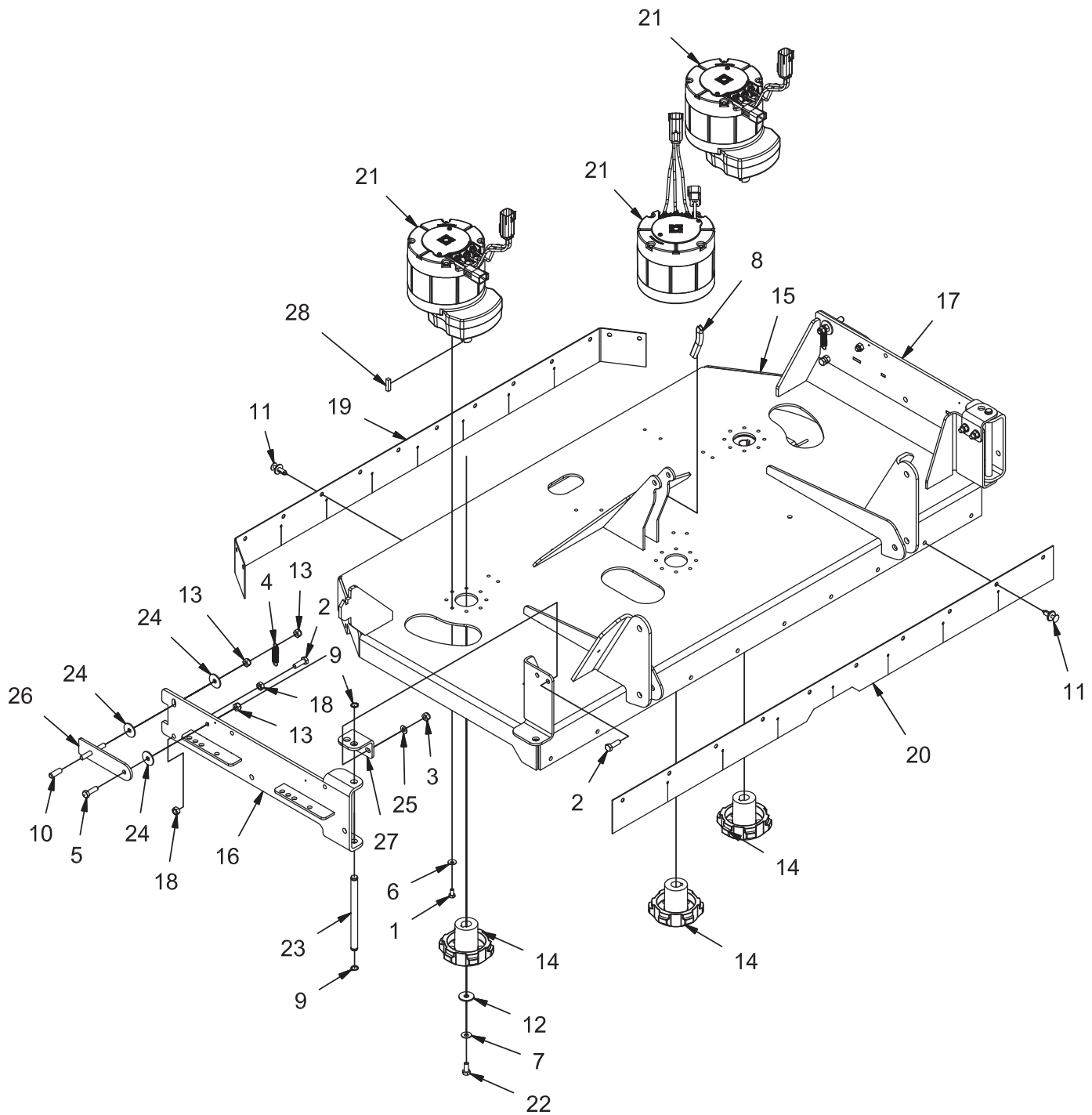


REV C

**HOPPER LIFT GROUP (714719)**

Parts List 714719			
ITEM	PART NUMBER	QTY	DESCRIPTION
1	11038098	4	BOLT, M6-100 X 20 HH
2	11038353	2	BOLT, M10-1.50 X 20 HH
3	12040044	2	NUT, M6-1.00 ESN
4	12040069	2	NUT, M10-1.50 ESN
5	3300526	2	BUMPER, .25 ID .125 T
6	3339955	1	CLEVIS-LIFT ARM 1.0 DIA. PIN 1.00-14
7	3400012	2	GREASE ZIRK
8	3400317	2	NUT-JAM 1/2-13 NYLOC ZP
9	3400383	2	WASHER, 1/4 BELLEVILLE
10	3400399	4	NUT-NYLOC 10-24 SS
11	340664	2	LATCH, DRAW
12	600109	2	BEARING, SPHERICAL
13	600332	1	PIN, UPPER CYLINDER
14	600575	4	RING, RETAINING INT, 2.00
15	600577	4	RETAINING RING, EXT, 1.00 HD
16	600801	1	BEARING, FIBERGLIDE 1.00 ID .75 T
17	600803	2	WASHER, HOPPER PIVOT, THK
18	620088	1	BOLT, 3/8-24 X .50 HH ZP
19	675507	2	FITTING, 90, -4 ORFS - 4 SAE
20	675622	1	FITTING, ORIFICE, .031
21	711376	2	NUT, FIBER INSERT 1/2-13
22	712822	4	SCR-THMS 10-24 X .50 ZP
23	713527	2	P-CLAMP, VINYL COVERED, 1/2 DIA
24	714628	2	WELDMENT, PIVOT PIN
25	714629	1	SAFETY ARM, HOPPER
26	714630-1	1	ASSEMBLY, LIFT ARM
27	714631	1	PIN, SAFETY ARM
28	714632	1	PIN, CYLINDER
29	714634	1	CYLINDER, HYD, 2.0 B X 10.0 STK
30	718221	2	SET SCREW, ROLLER 1/2-13 X 1.50
31	718289	1	CHANNEL, WIRE
32	730877	2	RETAINING RING, EXT, .750
33	REF.	-	FRAME

DISC SCRUB HEAD GROUP (714720)



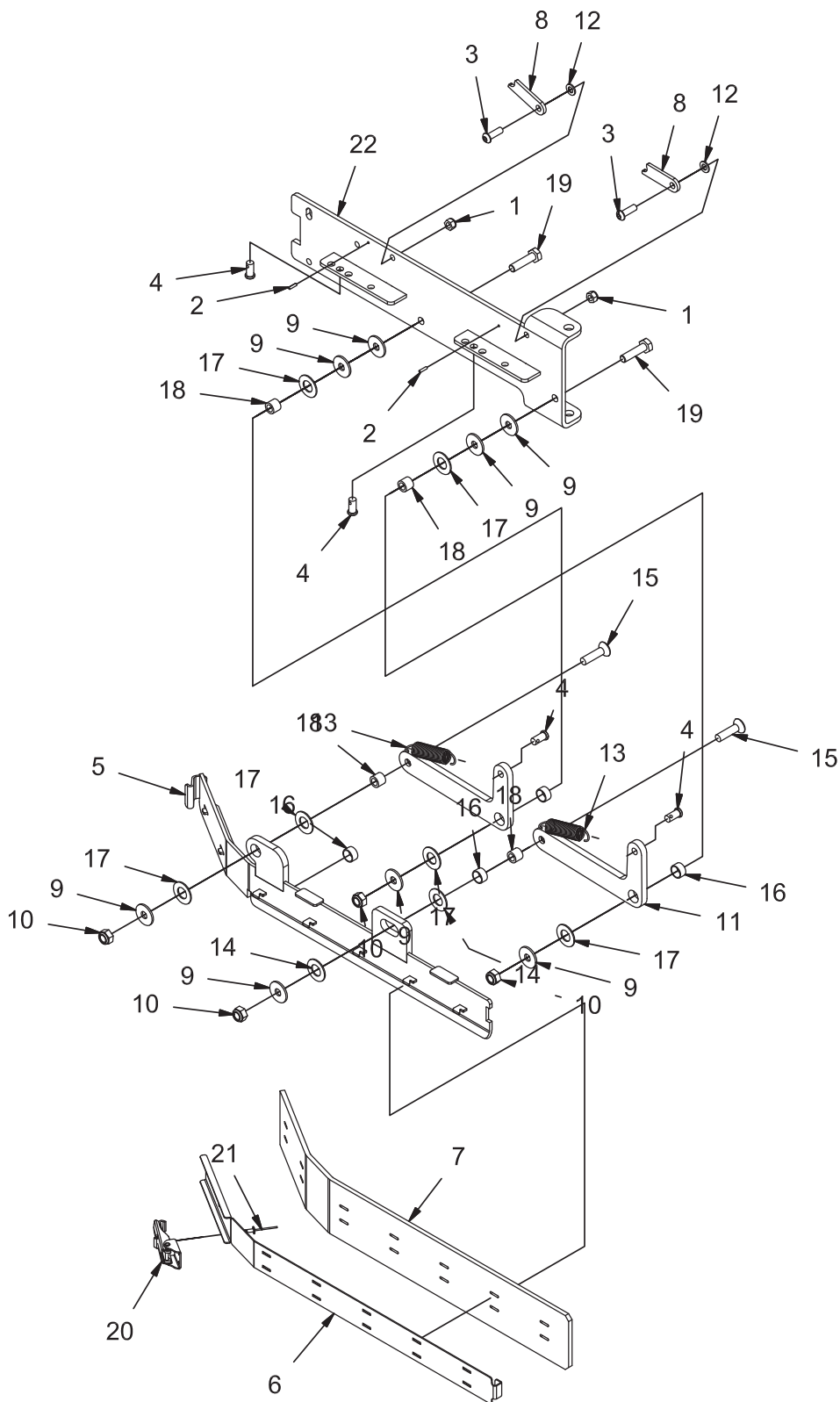
REV C



**DISC SCRUB HEAD GROUP (714720)**

Parts List 714720			
ITEM	PART NUMBER	QTY	DESCRIPTION
1	11038064	12	BOLT, M6-1.00 X 12 HH SS
2	11039567	6	BOLT, M8-1.25 X 25 HH SS
3	12040259	4	NUT, M8-1.25 ESN SS
4	3304160	2	SPRING, EXT
5	3400318	2	BOLT, 5/16-18 X 1.00 HH SS
6	3400383	12	WASHER, 1/4 BELLEVILLE
7	3400384	3	WASHER, 5/16 BELLEVILLE
8	3500117	3 IN	EDGE GROMMET
9	600569	4	RETAINING RING, EXT .50 HD
10	600910	2	CAP
11	600965	24	FASTENER, PRESS-IN
12	711855	3	WSR-FLT.37X1.12X1.0 STL Z HARD
13	712683	6	NUT, 5/16-18 ESN SS
14	714544	3	DRIVER, SCRUB BRUSH
15	714611	1	WELDMENT, DSH
16	714644	1	WELDMENT, RH DISC SQU MNT
17	714645	1	WELDMENT, LH SQU MNT
18	717029	4	NUT, M8-1.25 SS
19	718000	1	SKIRT, REAR
20	718001	1	SKIRT, FRONT
21	718002	3	MOTOR, GEAR, BRUSHLESS, 36 VDC
22	718010	3	SCR-HH M8-1.25 X 18 SS
23	718017	2	SHAFT, .50 D X 6.188 L
24	730526	6	WASHER, M8 FENDER SS
25	730609	4	WASHER, M8 SS
26	730622	2	WELDMENT, DOOR LATCH
27	731131	2	HINGE, ADJ
28	833621	3	KEY-1/4 X 1/4 X 1

DISC SIDE SQUEEGEE GROUP - RH (714721)

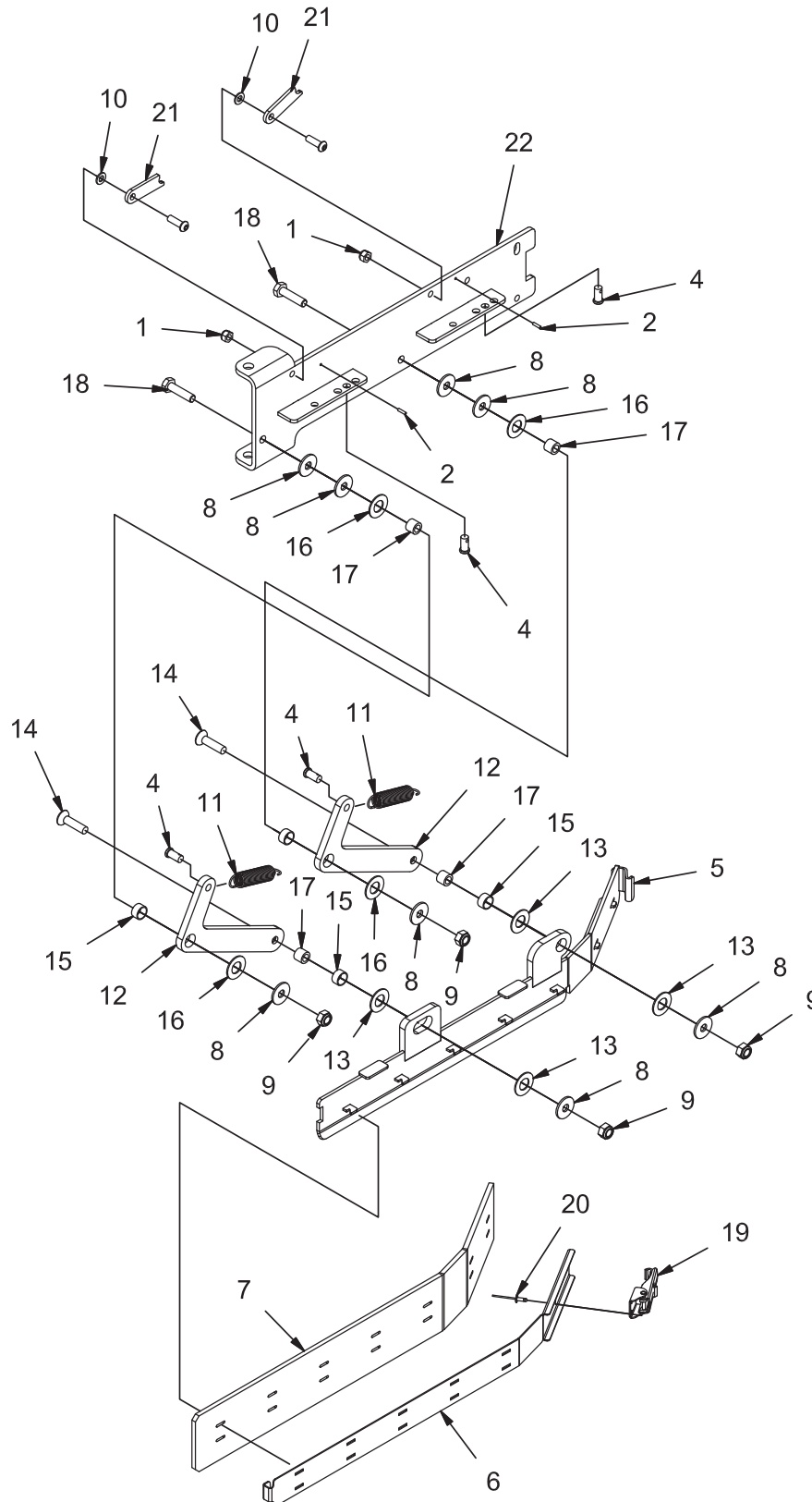


REV C

**DISC SIDE SQUEEGEE GROUP - RH (714721)**

Parts List 714721			
ITEM	PART NUMBER	QTY	DESCRIPTION
1	12040259	2	NUT, M8-1.25 ESN SS
2	3400727	2	PIN, SPRING, .125 X .50
3	600917	2	SCREW, M8-1.25 X 25 BUTTON HD CAP SS
4	711679	4	PIN, CLEVIS, .375 X .75
5	714510	1	WELDMENT, BLADE MNT, RH
6	714520	1	STRAP, SIDE SQU
7	714521	1	BLADE, SIDE SQUEEGEE
8	714643	2	LATCH, DOUBLE SCRUB
9	717040	8	WASHER, FENDER, .413 B 1.18 OD .098 T SS
10	730339	4	NUT, M10-1.50 ESN SS
11	730346	2	ARM, SIDE SQU, RH
12	730609	2	WASHER, M8 SS
13	730619	2	SPRING, EXT, .07 W .75 OD 3.50 L SS
14	730641	2	WASHER, BACKED THRUST .66 B 1.25 OD .06 T
15	730645	2	SCREW, M10-1.50 X 40 FLAT HD SOC HD SS
16	730646	4	BEARING, DU, .63 B .72 OD .38 T
17	730647	6	WASHER, THRUST, .66 B 1.25 OD .06 T
18	730648	4	SPACER, .406 B .624 OD .515 T SS
19	730649	2	BOLT, M10-1.50 X 40 HH SS
20	730652	1	LATCH, UNDER CENTER
21	730654	2	RIVET,BLIND, .156 D X .062 - .125 GRIP SS
22	REF.	-	RH DISC SQU MNT

DISC SIDE SQUEEGEE GROUP - LH (714722)

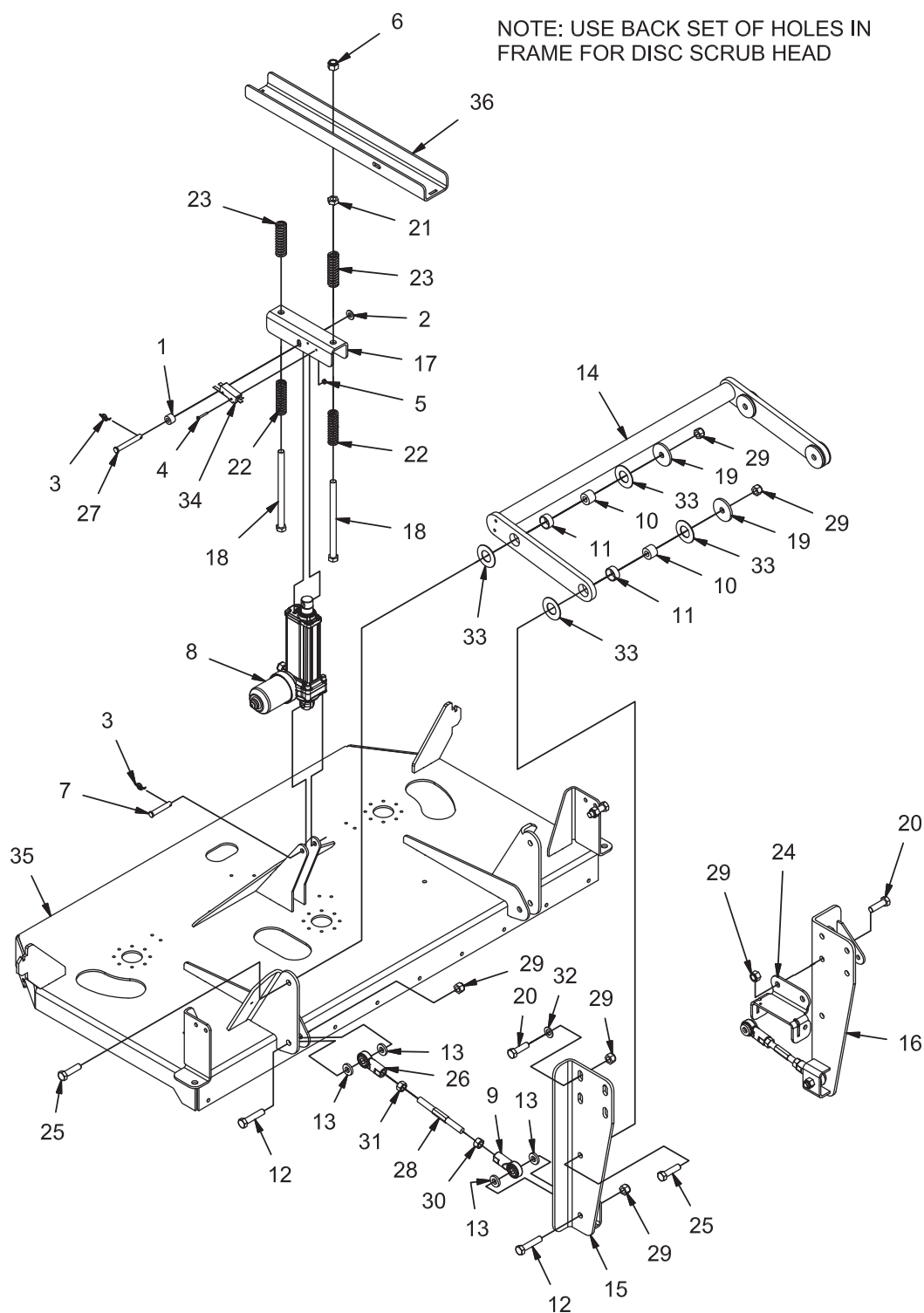


REV C

**DISC SIDE SQUEEGEE GROUP - LRH (714722)**

Parts List 714722			
ITEM	PART NUMBER	QTY	DESCRIPTION
1	12040259	2	NUT, M8-1.25 ESN SS
2	3400727	2	PIN, SPRING, .125 X .50
3	600917	2	SCREW, M8-1.25 X 25 BUTTON HD CAP SS
4	711679	4	PIN, CLEVIS, .375 X .75
5	714511	1	WELDMENT, BLADE MNT, LH
6	714520	1	STRAP, SIDE SQU
7	714521	1	BLADE, SIDE SQUEEGEE
8	717040	8	WASHER, FENDER, .413 B 1.18 OD .098 T SS
9	730339	4	NUT, M10-1.50 ESN SS
10	730609	2	WASHER, M8 SS
11	730619	2	SPRING, EXT, .07 W .75 OD 3.50 L SS
12	730620	2	ARM, SIDE SQU, LH
13	730641	4	WASHER, BACKED THRUST .66 B 1.25 OD .06 T
14	730645	2	SCREW, M10-1.50 X 40 FLAT HD SOC HD SS
15	730646	4	BEARING, DU, .63 B .72 OD .38 T
16	730647	4	WASHER, THRUST, .66 B 1.25 OD .06 T
17	730648	4	SPACER, .406 B .624 OD .515 T SS
18	730649	2	BOLT, M10-1.50 X 40 HH SS
19	730652	1	LATCH, UNDER CENTER
20	730654	2	RIVET, BLIND, .156 D X .062 - .125 GRIP SS
21	714643	2	LATCH, DOUBLE SCRUB
22	REF.	-	LH SQU MNT

DISC SCRUB HEAD LIFT GROUP (714723)

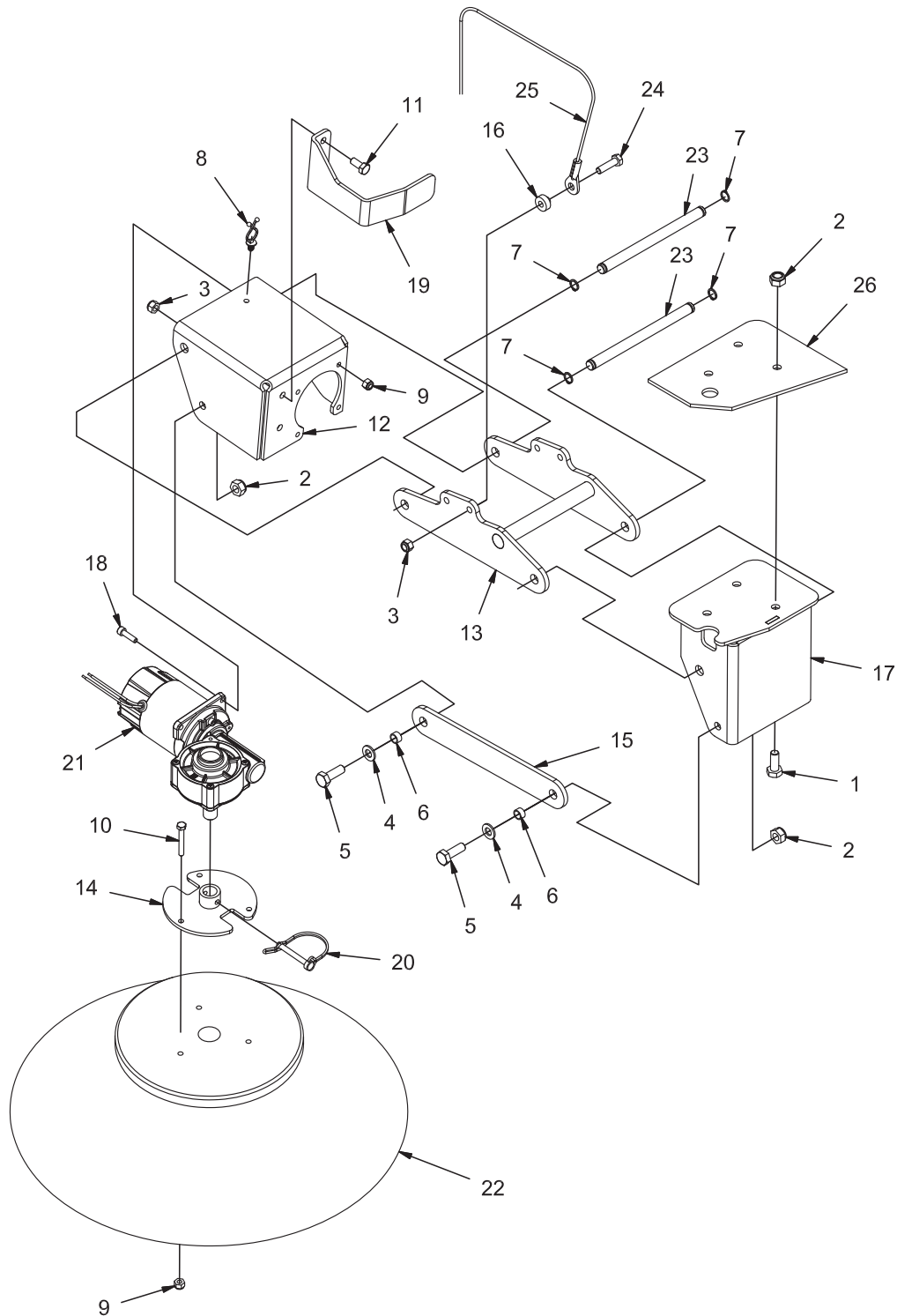


REV E

**DISC SCRUB HEAD LIFT GROUP (714723)**

Parts List 714723			
ITEM	PART NUMBER	QTY	DESCRIPTION
1	3337258	1	STANDOFF - .38 ID X .75 OD X .50 LG
2	3400087	1	WASHER, 3/8
3	3400125	2	RUE-RING, .375
4	710307	2	SCR-PHMS 6-32 X 1.00 ZP
5	711371	2	NUT, #6-32 ESN ZP
6	711376	2	NUT, FIBER INSERT 1/2-13
7	714586	1	PIN, CLEVIS, SPECIAL
8	714592-1	1	ACTUATOR, 36 VDC 1124 LBS 5.00 STK
9	714638	2	ROD END, FEM, M12-1.75 LH THRD
10	714646	4	SPACER .484 B 1.000 OD .75 T
11	714647	4	BEARING, FIBERGLIDE 1.00 B 1.125 OD .50 T
12	714648	4	SCR-HH M12-1.75 X 55 SS
13	714649	8	SPACER, .484 B 1.00 OD .179 T
14	718003	1	WELDMENT, TRAILING ARM
15	718004	1	WELDMENT, RH SH MNT
16	718005	1	WELDMENT, LH MNT
17	718013	1	CHANNEL, SPRING MNT
18	718014	2	SCR-HH 1/2-13 X 7.50 SS
19	718015	4	SPACER, .484 B 2.00 OD .179 T
20	718023	8	SCR-HH M12-1.75 X 40 SS
21	718178	2	NUT, HEX JAM 1/2-13
22	718180	2	SPRING, .813 OD .135 W 3.00 L
23	719505	2	SPRING, .875 OD .12 W 3.00 L
24	719486	1	HEAD WEIGHT SPRING BRACKET
25	730516	4	SCR-HH M12-1.75 X 45 SS
26	730544	2	ROD END, FEM, M12-1.75
27	730602	1	PIN, CLEVIS, .375 X 2.75
28	730603	2	ROD, ADJ
29	730605	16	NUT, M12-1.75 ESN SS
30	730606	2	NUT, M12-1.75 LH THRD SS
31	730607	2	NUT, M12-1.75 HEX SS
32	730608	4	WASHER, M12 SS
33	730957	8	WASHER, THRUST, 1.03 B 2.00 OD .063 T
34	740830	1	SWITCH, LEVER
35	REF.	-	DISC SCRUB HEAD
36	REF.	-	FRAME

SIDE BROOM GROUP - RH (714724)



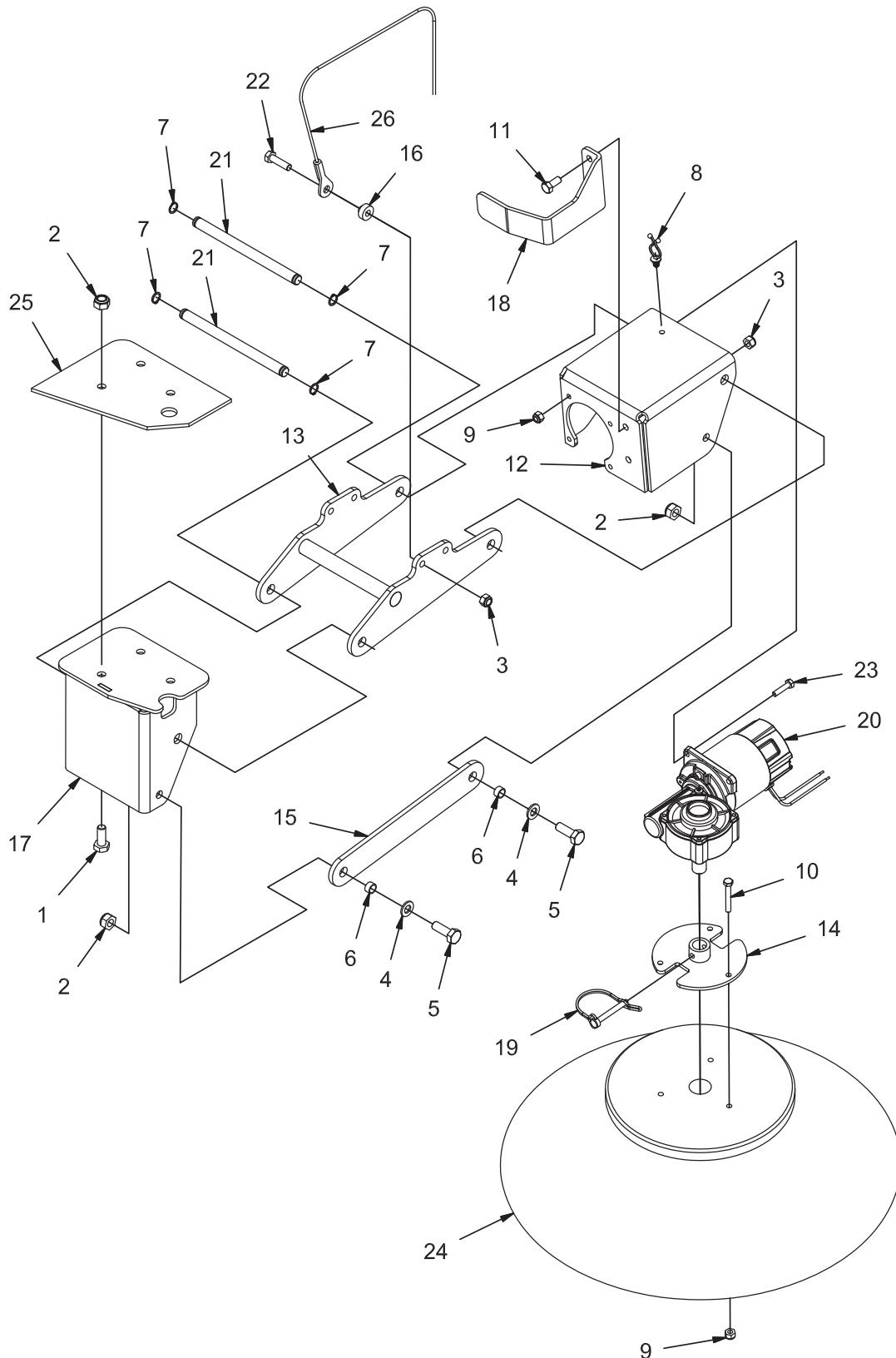
REV B



**SIDE BROOM GROUP - RH (714724)**

Parts List - 714724			
ITEM	PART NUMBER	QTY	DESCRIPTION
1	11038346	3	BOLT, M10-1.50 X 25 HH
2	12040069	5	NUT, M10-1.50 ESN
3	12040259	3	NUT, M8-1.25 ESN SS
4	12310058	2	WASHER, M10
5	3401051	2	BOLT, M10-1.50 X 30 HH
6	600327	2	SPACER, .406 B .50 OD .280 T
7	600569	4	RETAINING RING, EXT .50 HD
8	600581	1	CLAMP, WIRE CLIP
9	600933	7	NUT, M6-1.00 ESN SS
10	718009	3	SCR-HH M6-1.0 X 45 SS
11	718010	2	SCR-HH M8-1.25 X 18 SS
12	718024	1	WELDMENT, RH MOTOR MNT
13	718026	1	WELDMENT, SB TRAILING ARM
14	718027	1	WELDMENT, SB HUB
15	718028	1	ARM, TRAILING
16	718034	1	SPACER, FLANGED.
17	718038	1	WELDMENT, RH SB MNT
18	718042	4	SCR-SHCS M6-1.00 X 22 SS
19	718043	1	GUARD, RH SB
20	718045	1	PIN, LOCKING, .25
21	718050-1	1	MOTOR, 36VDC 70 RPM .08 HP
22	718053	1	CURB BROOM, POLY, 19"
23	718321	2	PIN, .50 x 6.88
24	730506	1	BOLT, M8-125 X 30 HH SS
25	REF.	-	CABLE
26	REF.	-	FRONT BUMPER

SIDE BROOM GROUP - LH (714725)

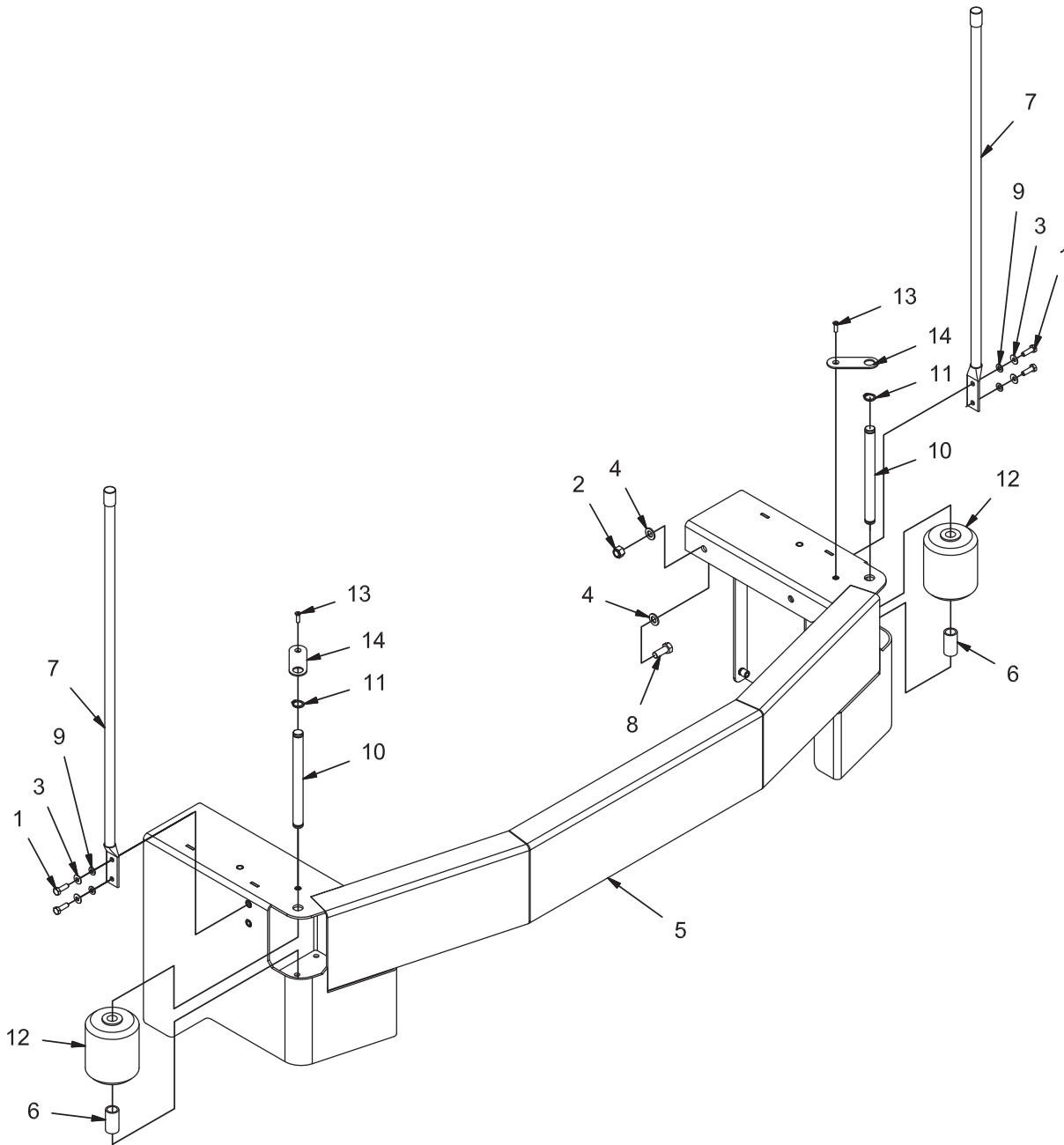


REV B

**SIDE BROOM GROUP - LH (714725)**

Parts List - 714725			
ITEM	PART NUMBER	QTY	DESCRIPTION
1	11038346	3	BOLT, M10-1.50 X 25 HH
2	12040069	5	NUT, M10-1.50 ESN
3	12040259	3	NUT, M8-1.25 ESN SS
4	12310058	2	WASHER, M10
5	3401051	2	BOLT, M10-1.50 X 30 HH
6	600327	2	SPACER, .406 B .50 OD .280 T
7	600569	4	RETAINING RING, EXT .50 HD
8	600581	1	CLAMP, WIRE CLIP
9	600933	7	NUT, M6-1.00 ESN SS
10	718009	3	SCR-HH M6-1.0 X 45 SS
11	718010	2	SCR-HH M8-1.25 X 18 SS
12	718025	1	WELDMENT, LH MOTOR MNT
13	718026	1	WELDMENT, SB TRAILING ARM
14	718027	1	WELDMENT, SB HUB
15	718028	1	ARM, TRAILING
16	718034	1	SPACER, FLANGED.
17	718039	1	WELDMENT, LH SB MNT
18	718044	1	GUARD, LH SB
19	718045	1	PIN, LOCKING, .25
20	718052-1	1	MOTOR, 36VDC 70 RPM .08 HP
21	718321	2	PIN, .50 x 6.88
22	730506	1	BOLT, M8-1.25 X 30 HH SS
23	731555	4	SCR-HH M6-1.00 X 25 HH SS
24	REF.	-	SIDE BROOM, 16 IN
25	REF.	-	FRONT BUMPER
26	REF.	-	CABLE, SB LIFT

FROM BUMPER GROUP (714726)

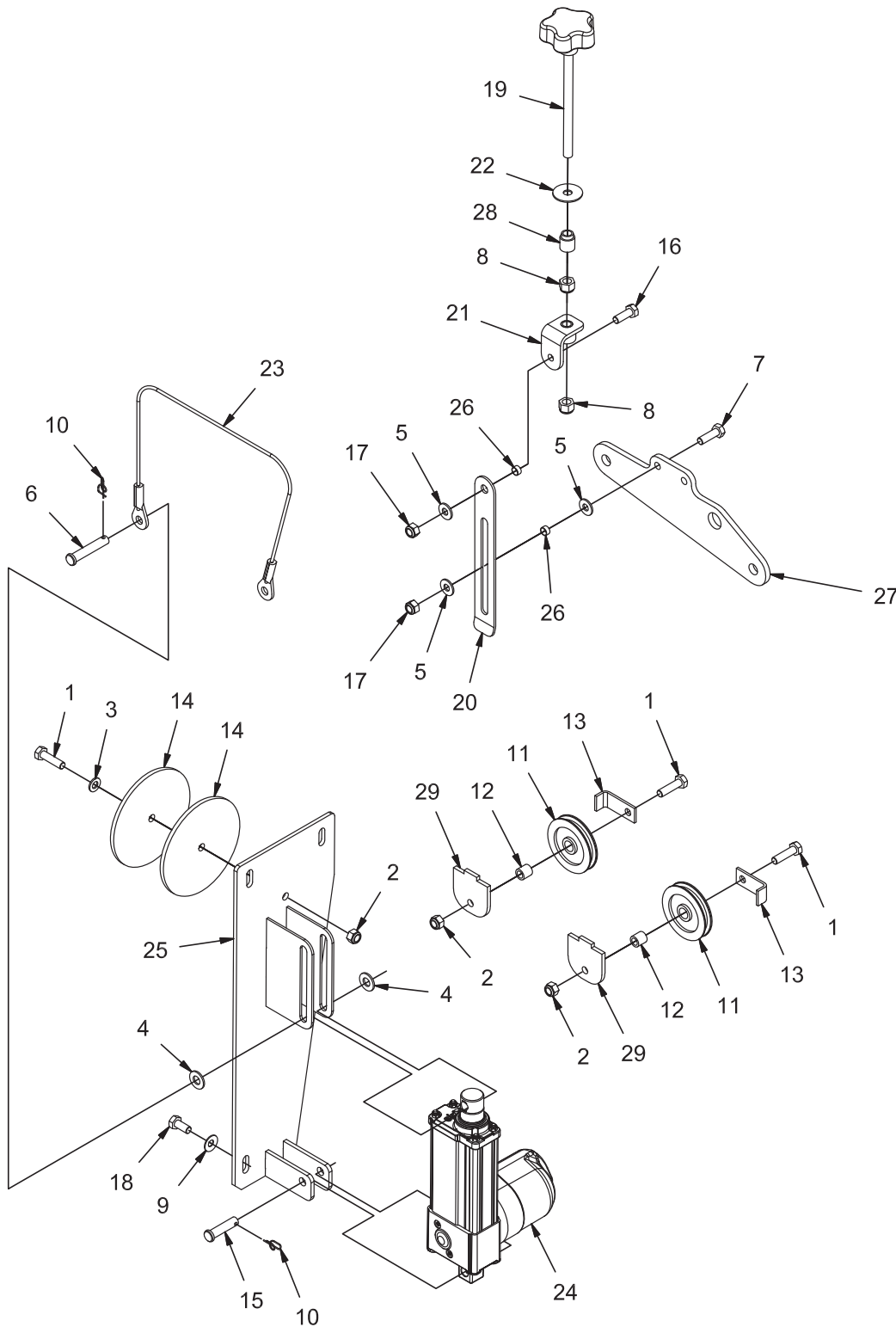


REV B

**FRONT BUMPER GROUP (714726)**

Parts List 714726			
ITEM	PART NUMBER	QTY	DESCRIPTION
1	11039567	4	BOLT, M8-1.25 X 25 HH SS
2	12040077	4	NUT-NYLOC M12-1.75 STL ZINC
3	3400384	4	WASHER, 5/16 BELLEVILLE
4	600950	8	WASHER, M12
5	718029-1	1	ASSEMBLY, FRONT BUMPER
6	718046	2	SPACER, .766 ID 1.00 OD 1.875 T
7	719420	2	MARKER GUIDE, FLUSH/FLAT MNT 36" (2PK)
8	730604	4	BOLT, M12-1.75 X 30 HH SS
9	730609	4	WASHER, M8 SS
10	730876	2	PIN, ROLLER
11	730877	2	RETAINING RING, EXT, .750
12	730915	2	ROLLER, SSB
13	731382	2	SCREW, M6-1.00 X 20 FLAT SHCS ZP
14	731388	2	RETAINER, ROLLER PIN

SIDE BROOM LIFT GROUP - RH (714727)

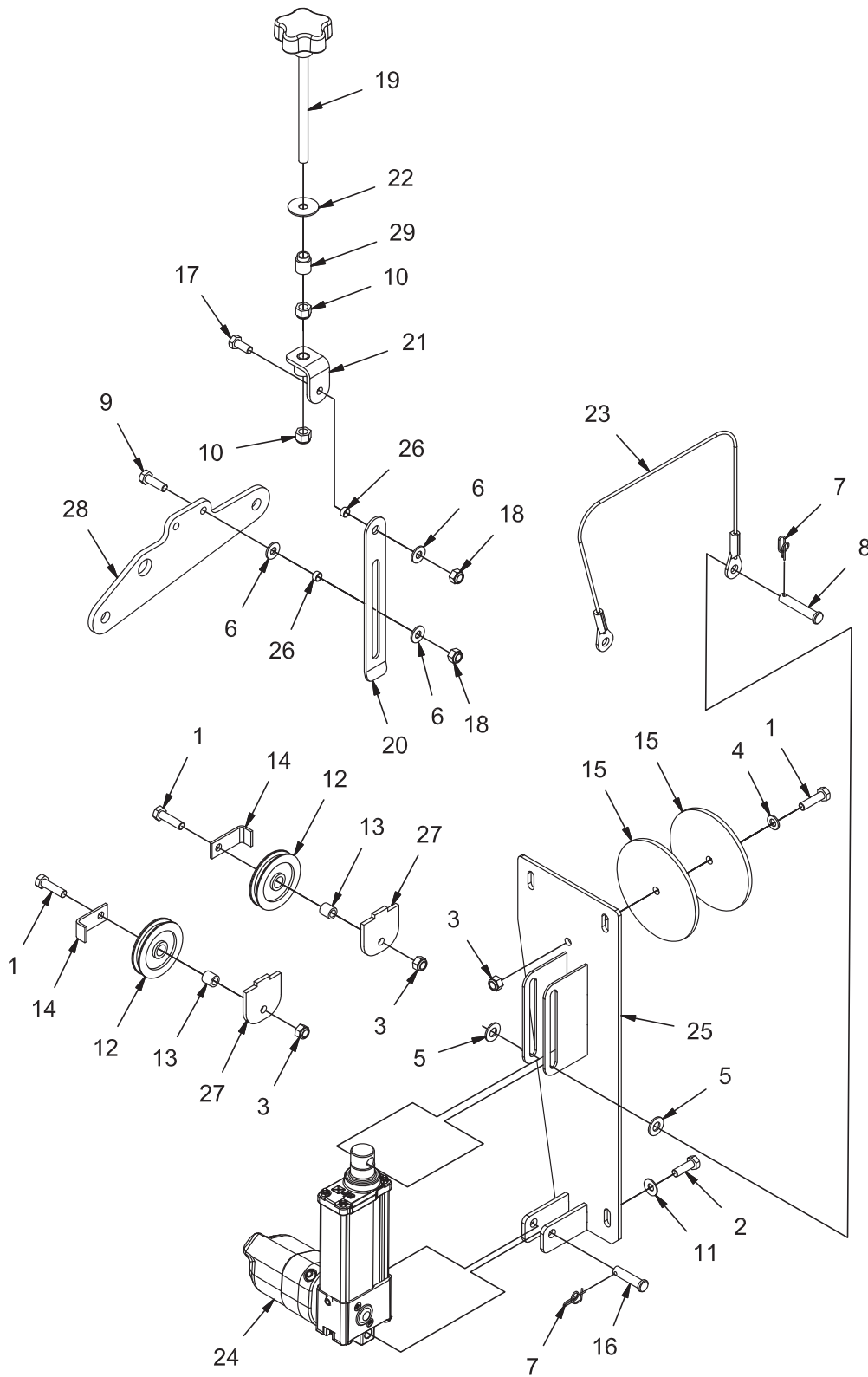


REV B

**SIDE BROOM LIFT GROUP - RH (714727)**

Parts List - 730012			
ITEM	PART NUMBER	QTY	DESCRIPTION
1	11038254	3	BOLT, M8-125 X 30 HH
2	12040051	3	NUT, M8-1.25 ESN
3	12310041	1	WASHER-FLAT M8.4 X 16 X 1.6 ZP
4	3400087	2	WASHER, 3/8
5	3400088	3	WASHER, 5/16, .687 X .344 X .062
6	3400266	1	PIN, CLEVIS, 3/8 X 2.00
7	3400318	1	BOLT, 5/16-18 X 1.00 HH SS
8	3400340	2	NUT, 3/8-16 ESN SS
9	3400384	3	WASHER, 5/16 BELLEVILLE
10	3400742	2	RUE-RING, .25
11	600113	2	PULLEY, .50 B, 2.00 D, .44 T
12	600114	2	SPACER, .328B .498 OD .500, SS
13	600115	2	RETAINER, CABLE
14	600226	2	BUMPER
15	600573	1	PIN, CLEVIS, 3/8 X 1.50
16	711279	1	SCREW, 5/16-18 X .88 HHM
17	712683	2	NUT, 5/16-18 ESN SS
18	718010	3	SCR-HH M8-1.25 X 18 SS
19	718031	1	ASSEMBLY, SB ADJ KNOB
20	718032	1	LINK, SB ADJ
21	718033	1	WELDMENT, SB ADJ ANGLE
22	718040	1	WASHER, .38, NEOPRENE
23	718041	1	CABLE, SB LIFT
24	718047-1	1	ACTUATOR, 36VDC 190 LBS 2.88 STK
25	718048	1	WELDMENT, RH SB ACT MNT
26	730448	2	SPACER, .328 B .375 OD .188 T
27	REF.	-	SB ARM
28	REF.	-	FRONT BUMPER
29	REF.	-	FRONT BUMPER

SIDE BROOM LIFT GROUP - LH (714728)



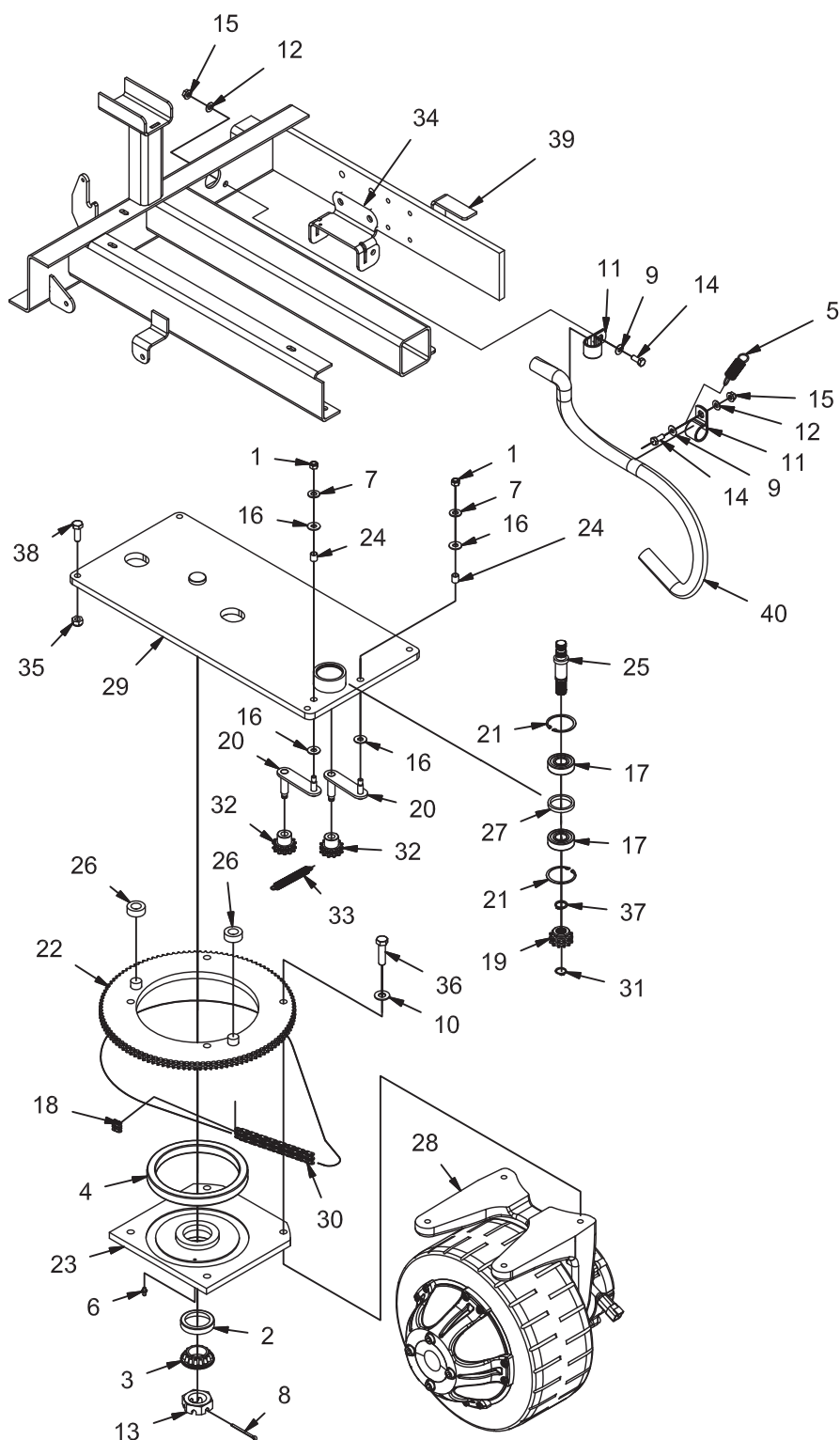
REV C



**SIDE BROOM LIFT GROUP - LH (714728)**

Parts List - 714728			
ITEM	PART NUMBER	QTY	DESCRIPTION
1	11038254	3	BOLT, M8-125 X 30 HH
2	11039567	3	BOLT, M8-1.25 X 25 HH SS
3	12040051	3	NUT, M8-1.25 ESN
4	12310041	1	WASHER-FLAT M8.4 X 16 X 1.6 ZP
5	3400087	2	WASHER, 3/8
6	3400088	3	WASHER, 5/16, .687 X .344 X .062
7	3400125	2	RUE-RING, .375
8	3400266	1	PIN, CLEVIS, 3/8 X 2.00
9	3400318	1	BOLT, 5/16-18 X 1.00 HH SS
10	3400340	2	NUT, 3/8-16 ESN SS
11	3400384	3	WASHER, 5/16 BELLEVILLE
12	600113	2	PULLEY, .50 B, 2.00 D, .44 T
13	600114	2	SPACER, .328B .498 OD .500, SS
14	600115	2	RETAINER, CABLE
15	600226	2	BUMPER
16	600573	1	PIN, CLEVIS, 3/8 X 1.50
17	712575	1	BOLT, 5/16-18 X .75 HH SS
18	712683	2	NUT, 5/16-18 ESN SS
19	718031	1	ASSEMBLY, SB ADJ KNOB
20	718032	1	LINK, SB ADJ
21	718033	1	WELDMENT, SB ADJ ANGLE
22	718040	1	WASHER, .38, NEOPRENE
23	718041	1	CABLE, SB LIFT
24	718047-1	1	ACTUATOR, 36VDC 190 LBS 2.88 STK
25	718049	1	WELDMENT, LH SB ACT MNT
26	730448	2	SPACER, .328 B .375 OD .188 T
27	REF	-	FRONT BUMPER
28	REF.	-	SB ARM
29	REF.	-	FRONT BUMPER

DRIVE WHEEL GROUP (714732)

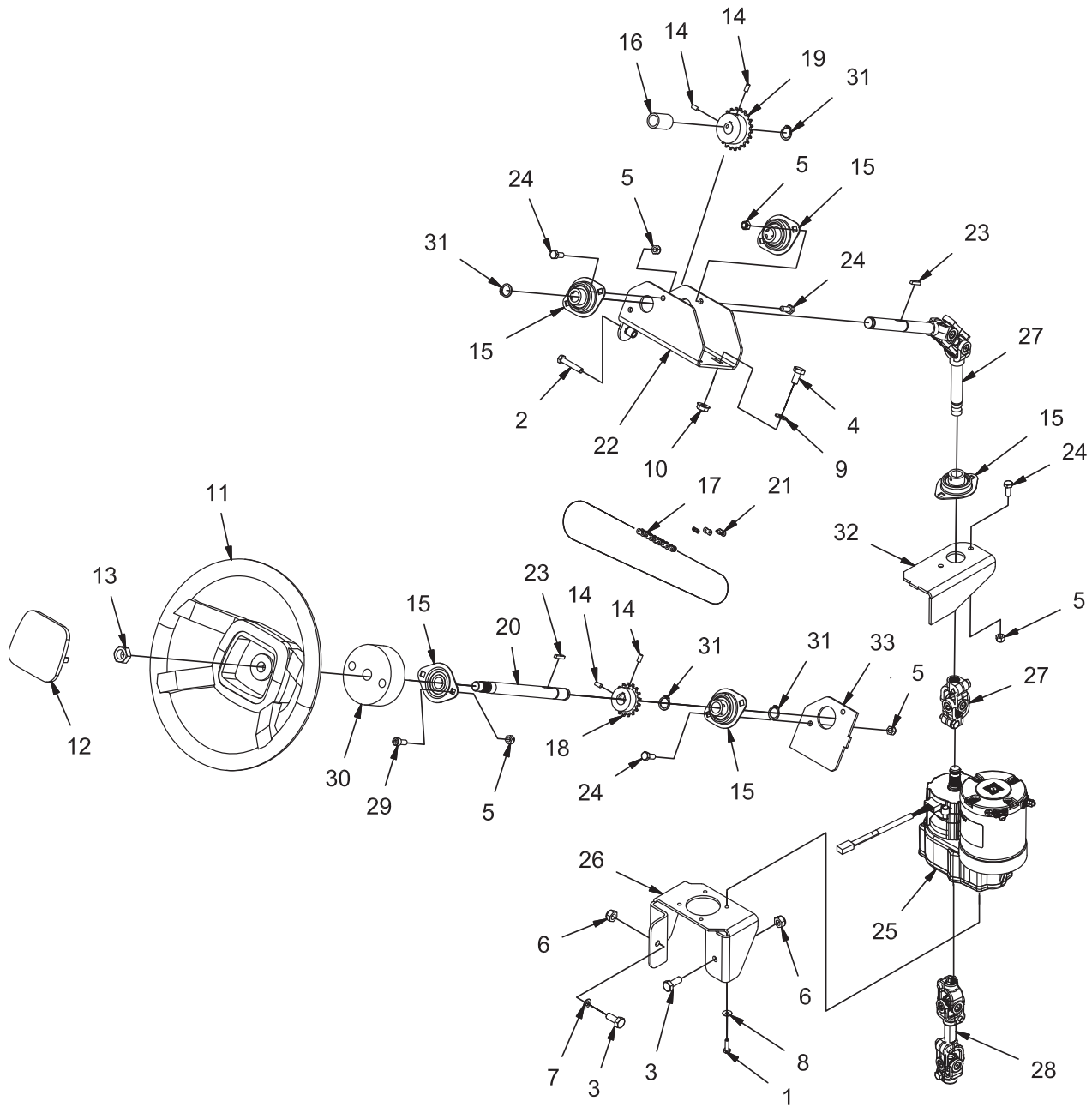


REV E

**DRIVE WHEEL GROUP (714732)**

Parts List 714732			
ITEM	PART NUMBER	QTY	DESCRIPTION
1	12040259	2	NUT, M8-1.25 ESN SS
2	3300470	1	BEARING, PIVOT BEARING - CUP
3	3300471	1	BEARING - CONE W/SEAL
4	3300472	1	BEARING, PIVOT THRUST
5	3301517	1	SPRING
6	3400012	1	GREASE ZIRK
7	3400087	2	WASHER, 3/8
8	3400120	1	PIN-COTTER 5/32 X 2.00 ZP
9	3400384	2	WASHER, 5/16 BELLEVILLE
10	3400387	4	WASHER, .50 CONICAL
11	3400999	2	CLAMP, HOSE
12	600941	2	WASHER, .344 B .688 OD .05 THK
13	620066	1	NUT, SLOTTED, 1-1/4-12
14	711228	2	SCR-HH 5/16-18 X .75 ZP GR 5
15	711379	2	NUT-FLANGED WIZZ 5/16-18 ZP
16	711569	4	WASHER, NYLON, .390 X .875 X .062
17	714553	2	BEARING, BALL, .79 B 1.85 D .55 T
18	714554	1	DOUBLE CHAIN CONNECTOR LINK #35
19	714557	1	SPROCKET, DOUBLE, 12 T .375 PITCH
20	714560	2	WELDMENT, TENSIONER
21	714562	2	RING, RETAINING INT, 1.85
22	714563	1	WELDMENT, FORK SPROCKET
23	714564-1	1	WELDMENT, FORK PLT, MACH
24	714565	2	BEARING, DU, .375 ID .468 OD .500 T
25	714568	1	SHAFT, FORK SPROCKET
26	714569	2	BUMPER, STEERING
27	714570	1	SPACER, BEARING
28	714571	1	ASSEMBLY, WHEEL DRIVE, 36VAC
29	718095	1	WELDMENT, BEARING MNT - DISC
30	718302	1	CHAIN, ROLLER, DOUBLE, .375 PITCH
31	718363	1	RET RING-EXT .688
32	719137	2	SPROCKET
33	719170	1	SPRING, EXT, .063 W .50 OD 3.75 L SS
35	730339	4	NUT, M10-1.50 ESN SS
36	730516	4	SCR-HH M12-1.75 X 45 SS
37	730877	1	RETAINING RING, EXT, .750
38	730878	4	BOLT, M10-1.50 X 30 HH SS
34	REF	1	HEAD WEIGHT SPRING BRACKET
39	REF	1	CYL FRAME FOR DRIVE WHEEL GROUP
40	REF	1	DRIVE WHEEL HARNESS

POWER STEERING GROUP (714741)

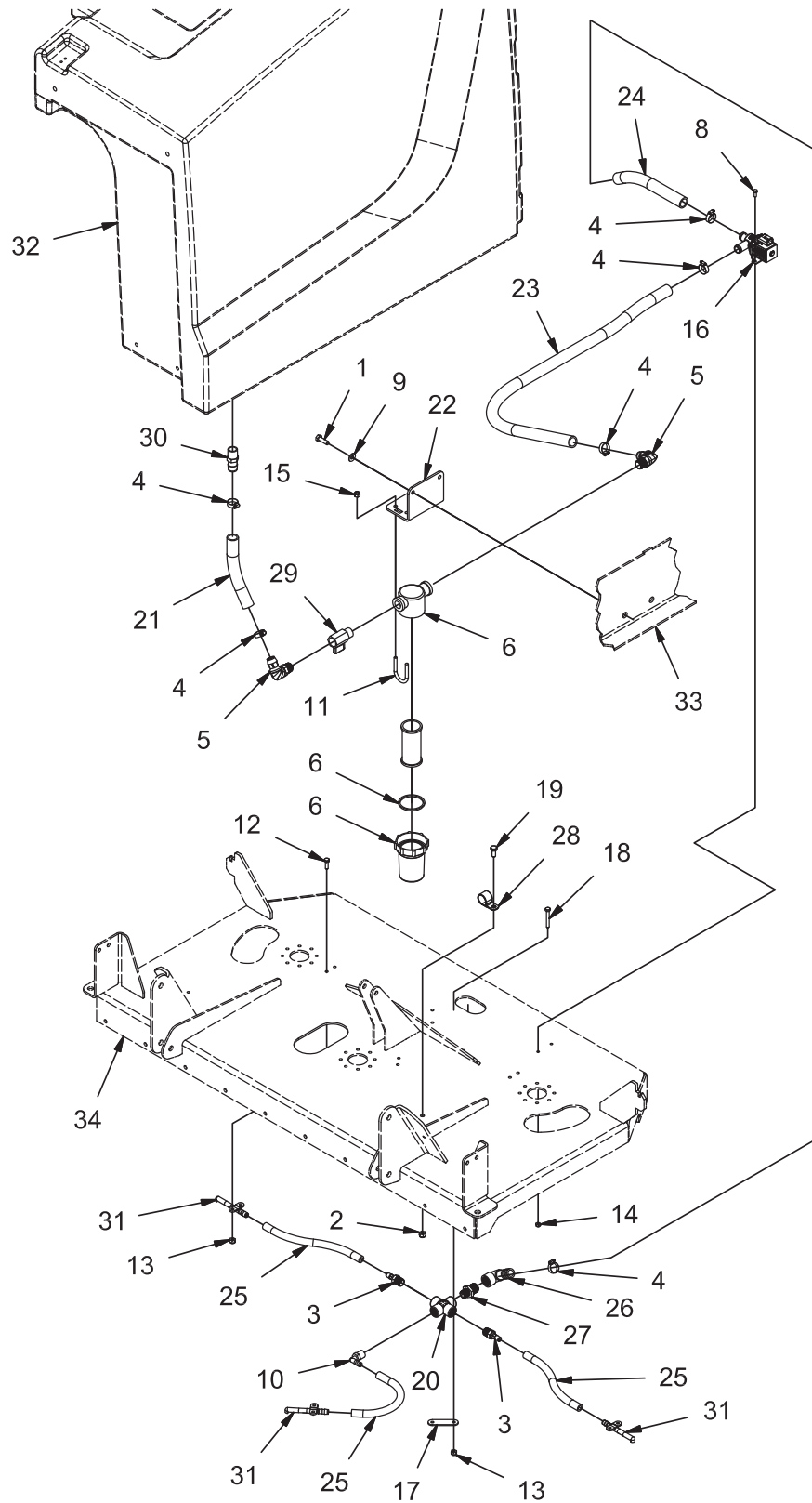


REV F

**POWER STEERING GROUP (714741)**

Parts List 714741			
ITEM	PART NUMBER	QTY	DESCRIPTION
1	11038098	4	BOLT, M6-100 X 20 HH
2	11038299	1	SCR-HH M8-1.25 X 45 ZP CLASS 8.8
3	11038346	2	BOLT, M10-1.50 X 25 HH
4	11038353	2	BOLT, M10-1.50 X 20 HH
5	12040051	10	NUT, M8-1.25 ESN
6	12040069	2	NUT, M10-1.50 ESN
7	12310041	1	WASHER-FLAT M8.4 X 16 X 1.6 ZP
8	3400383	4	WASHER, 1/4 BELLEVILLE
9	3400385	2	WASHER, 3/8, BELLEVILLE
10	600936	2	NUT, M10-1.50 FLNG
11	610000	1	STEERING WHEEL, POWERBOSS
12	610001	1	STEERING WHEEL CAP, POWERBOSS
13	620057	1	NUT, JAM, M16-1.50 STL ZP
14	712160	4	SETSCREW, M6-1.0 X 12 SS
15	714558	5	BEARING, .75 B 2-BOLT FLANGE
16	714559	1	BUSHING, BRONZE .750 B 1.000 OD 1.500 L
17	714575	1	CHAIN, ROLLER .375 PITCH
18	714576	1	SPROCKET .375 PITCH 17 TOOTH
19	714577	1	SPROCKET .375 PITCH 22 T
20	714578	1	SHAFT, STEERING WHEEL
21	714579	1	CHAIN CONNECTOR LINK #35
22	714580-1	1	ASSEMBLY, CHANNEL, CHAIN ADJ
23	714581	2	KEY .188 SQ X .875
24	717024	8	BOLT, M8-1.25 X 20 HH
25	718117	1	STEERING POWER UNIT
26	718136-1	1	WELDMENT, PS MNT
27	718153	1	STEERING SHAFT, POWER, UPPER
28	718154	1	STEERING SHAFT, POWER, LOWER
29	718310	2	SCR-BHCS M8-1.25 X 20 ZP
30	718311	1	RING, STEERING
31	730877	4	RETAINING RING, EXT, .750
32	REF.	-	CONSOLE
33	REF.	-	CONSOLE

SOLUTION CONTROL, DISC (714743)

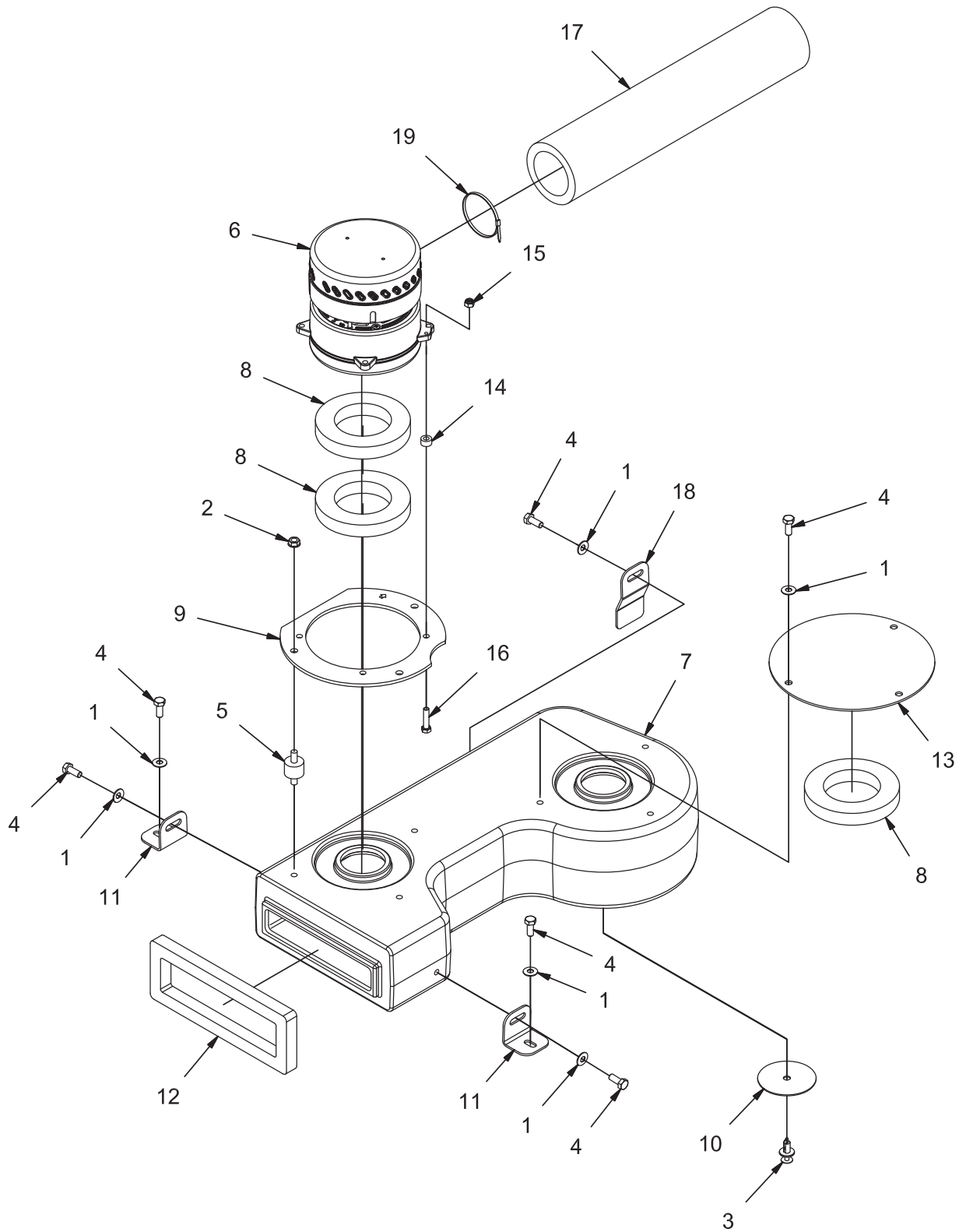


REV B

**SOLUTION CONTROL, DISC (714743)**

Parts List 714743			
ITEM	PART NUMBER	QTY	DESCRIPTION
1	11038247	2	BLT-HH M8-1.25 X 25 STL ZINC
2	12040259	1	NUT, M8-1.25 ESN SS
3	173156	2	FTG-ADAPTER 3/8 MPT X 3/8 HB PP
4	3300535	6	CLAMP, HOSE, .50
5	3315536	2	FTG, 1/2 MPT TO 3/4 BARB
6	3323501	3	FILTER ASSEMBLY
7	3332264	1	FILTER ELEMENT - SERVICE
8	3400315	2	SCR-HEX,#10-32 X .50 ZP
9	3400384	2	WASHER, 5/16 BELLEVILLE
10	3400985	1	FITTING, PLASTIC, 90, .375 NPT .375 BARB
11	3401981	2	CLAMP
12	600913	6	BOLT, M6-1.00 X 20 HH SS
13	600933	8	NUT, M6-1.00 ESN SS
14	711350	2	NUT, 10-32, ESN
15	712667	4	NUT, FIBER INSERT 1/4-20 SS
16	718007	1	VALVE, SOLENOID SOLUTION 36VDC
17	718008	1	BAR, RETAINER
18	718009	2	SCR-HH M6-1.0 X 45 SS
19	718010	1	SCR-HH M8-1.25 X 18 SS
20	718012	1	FTG-CROSS 3/8 X 3/8 X 3/8 X 3/8 FPT PP
21	718168	1	TUBING, .75 ID X 1.031 OD REIN VINYL
22	718171	1	BRACKET, FILTER MNT - DISC
23	718172	1	TUBING, .75 ID X 1.031 OD RIEN VINYL
24	718173	1	TUBING, .75 ID X 1.031 OD REIN VINYL
25	718174	3	TUBING, .38 ID REIN VINYL
26	731033	1	FTG-ELBOW 1/2 FPT X 3/4 HB,PP
27	731034	1	FTG-REDUCER 1/2 MPT X 3/8 MPT, PP
28	731146	1	CLAMP, HOSE, .88
29	731378	1	BALL VALVE, 1/2" NPT, BRASS
30	731554	1	FTG, STR, 1/2 NPT TO 3/4 BARB, PLASTIC
31	90311663	3	DELIVERY TUBE
33	REF.	-	FRAME
34	REF.	-	SCRUB HEAD, DISC
32	REF.	-	SOLUTION TANK

HOPPER VACUUM MOTOR GROUP (714753)



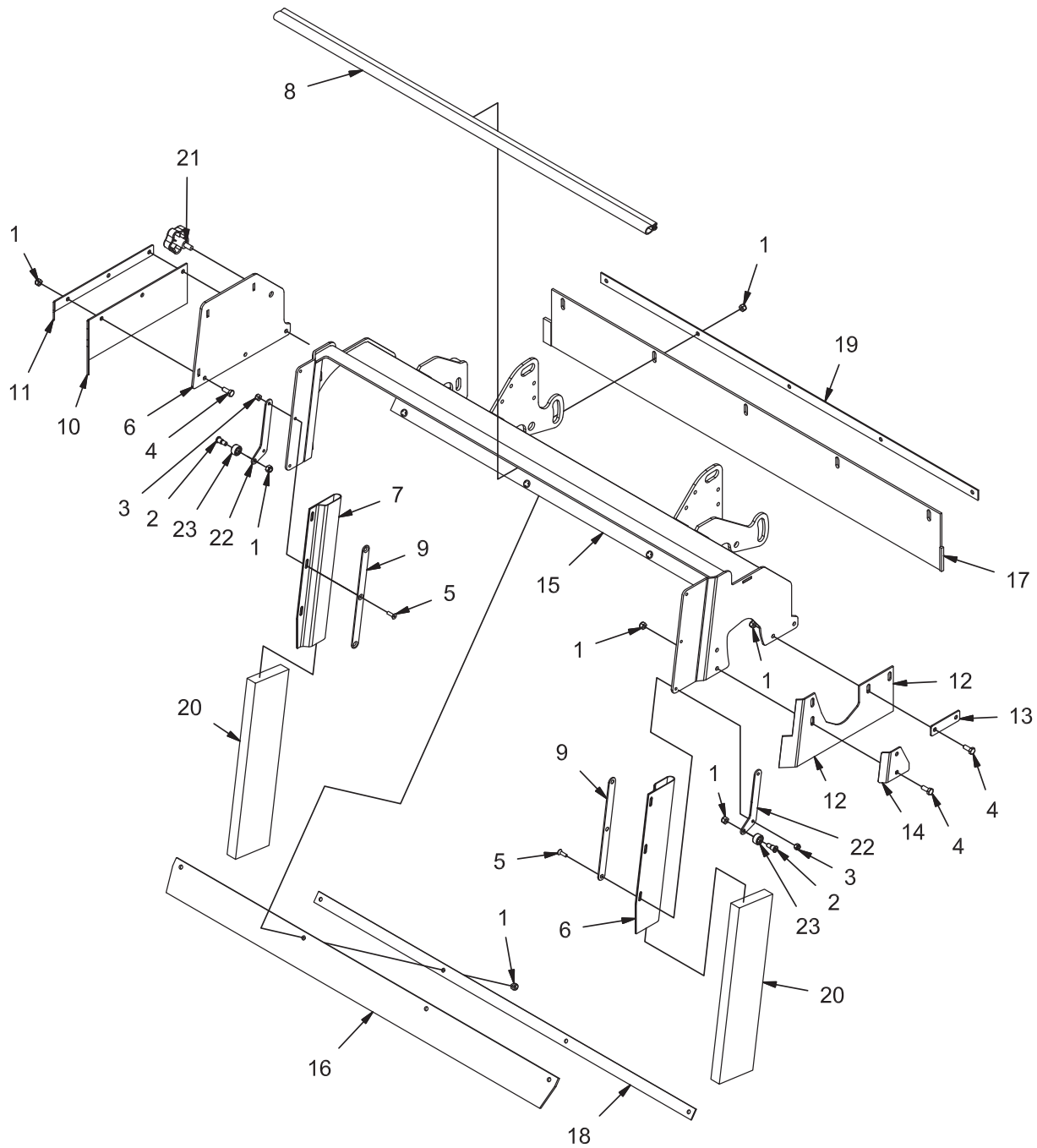
REV D



**HOPPER VACUUM MOTOR GROUP (714753)**

Parts List 714753			
ITEM	PART NUMBER	QTY	DESCRIPTION
1	3400384	8	WASHER, 5/16 BELLEVILLE
2	600934	3	NUT, M8-1.25 FLNG
3	600965	1	FASTENER, PRESS-IN
4	717024	8	BOLT, M8-1.25 X 20 HH
5	718103	3	ISOLATOR, VIBRATION, 1.00 OD X .75 T
6	718220-1	1	MOTOR, VACUUM 36 VDC
7	718223-1	1	PLENUM, VACUUM
8	718224	3	GASKET, VACUUM MOTOR
9	718225	1	MOUNT, VAC MOTOR
10	718226	1	VALVE, RUBBER
11	718227	2	ANGLE, MNT
12	718228	1	GASKET, HOPPER
13	718229	1	COVER, VAC MOTOR
14	718271	3	SPACER .295 B .563 OD .313 L
15	718272	3	NUT-NYLOC M7-1.0 ZP
16	718273	3	SCR-HH M7-1.0 X 30 ZP
17	718304	1	MUFFLER, VAC EXHAUST
18	REF.	-	FRAME
19	XXXXXX	1	TIE, NYLON, 3"

MAIN BROOM SKIRT AND SEAL GROUP (714754)

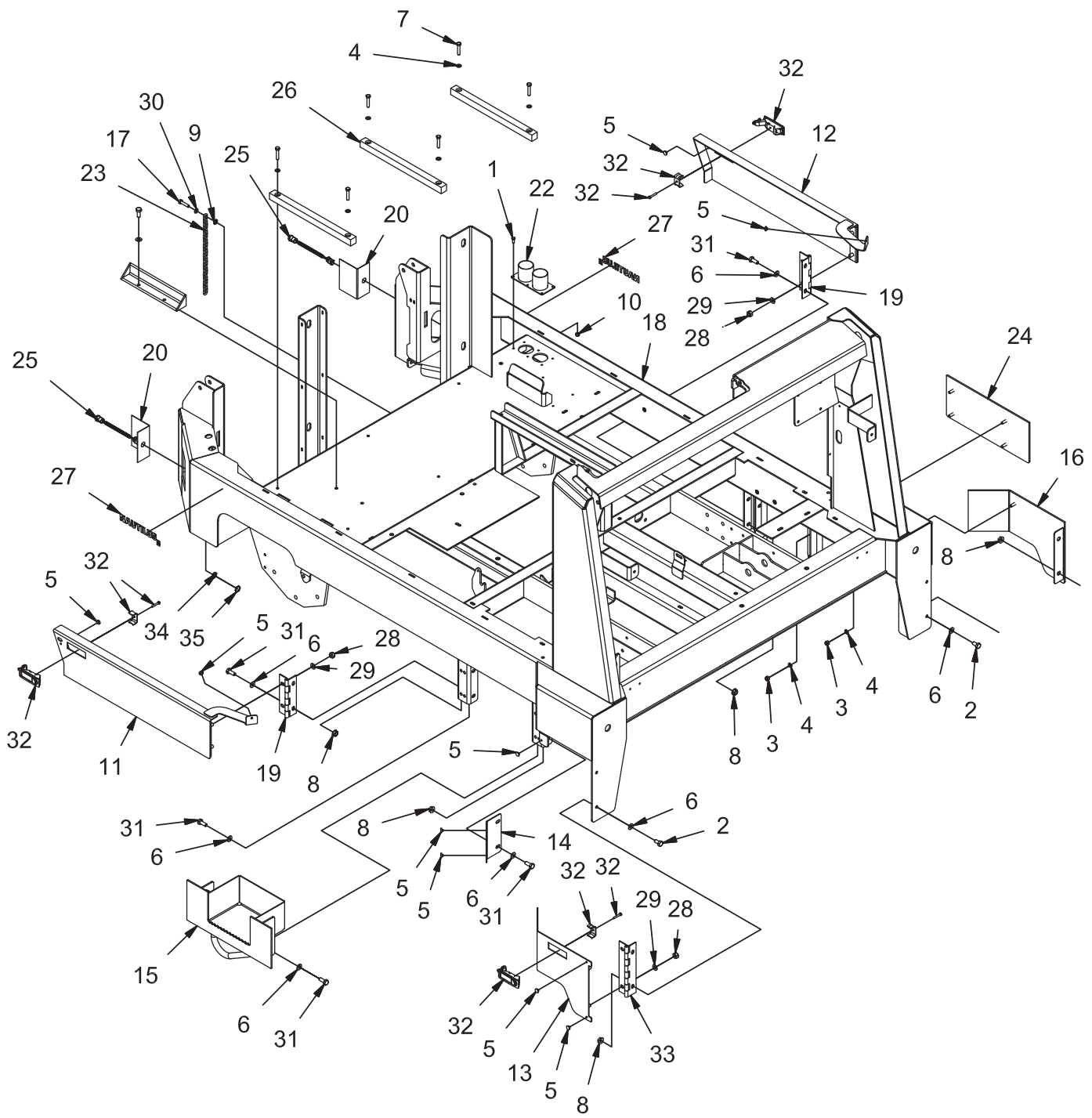


REV D

**MAIN BROOM SKIRT AND SEAL GROUP (714754)**

Parts List 714754			
ITEM	PART NUMBER	QTY	DESCRIPTION
1	12040259	18	NUT, M8-1.25 ESN SS
2	3530283	2	PIN-BRUSH WHEEL
3	600933	6	NUT, M6-1.00 ESN SS
4	717030	7	SCR-HH M8-1.25 X 20 SS
5	718084	6	SCR-FHSCS M6-1.00 X 20 SS
6	718085	1	WELDMENT, MB IDLER DOOR
7	718086	2	SEAL, MB SIDE
8	718087	1	SEAL, BULB, MB UPPER
9	718088	2	RETAINER, SIDE SEAL
10	718089	1	SKIRT, MB RH
11	718090	1	RETAINER, MB RH SKIRT
12	718091	1	SKIRT, MB RH
13	718092	1	RETAINER, MB LH REAR
14	718093	1	RETAINER, MB LH FRONT
15	718094	1	WELDMENT, MB CHAMBER
16	718230	1	SKIRT, RECIRC
17	718231	1	SKIRT, REAR
18	718232	1	RETAINER, RECIRC SKIRT
19	718233	1	RETAINER, REAR SKIRT
20	718234	2	INSULATION, ACSTC
21	719131	1	ASSEMBLY, SB ADJ KNOB
22	719524	2	MB GUIDE WHEEL MNT
23	931163	2	WHEEL, 22MM

FRAME GROUP, DISC (714755)

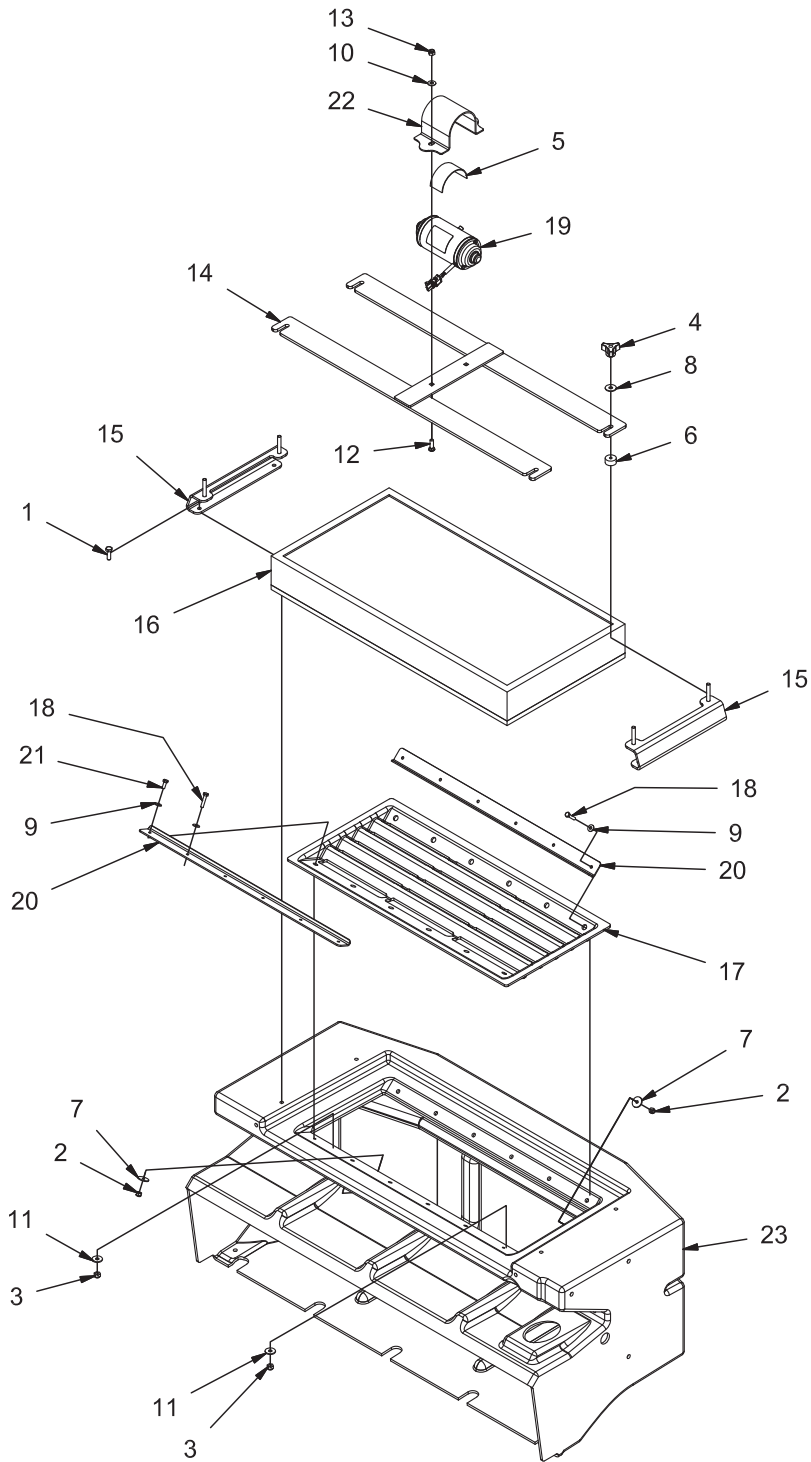


REV J

**FRAME GROUP, DISC (714755)**

Parts List 714755			
ITEM	PART NUMBER	QTY	DESCRIPTION
1	11038072	6	SCR-HH M6-1.0 X 16 ZP CLASS 8.8
2	11038353	4	BOLT, M10-1.50 X 20 HH
3	12040259	5	NUT, M8-1.25 ESN SS
4	12310041	11	WASHER-FLAT M8.4 X 16 X 1.6 ZP
5	3300526	9	BUMPER, .25 ID .125 T
6	3400385	14	WASHER, 3/8, BELLEVILLE
7	600919	6	BOLT, M8-1.25 X 40 HH
8	600936	10	NUT, M10-1.50 FLNG
9	711565	1	LOCK WASHER, M8 EXT STAR
10	717018	6	NUT-NYLOC M6 X 1.0 ZP
11	718076	1	WELDMENT, RH SCRUB DOOR
12	718077	1	WELDMENT, LH SCRUB DOOR
13	718078	1	WELDMENT, MB DOOR
14	718080	1	STOP, MB DOOR
15	718081	1	WELDMENT, STEP
16	718083	1	WELDMENT, LH MB COVER
17	718113	1	SCR-HH M8-1.25 X 35 SS
18	718214-1	1	ASSEMBLY, FRAME - DISC
19	718217	2	HINGE, SH DOOR
20	718218	2	SHIELD, TAIL LIGHT
21	718384	1	WELDMENT, BRACKET, BATTERY
22	718390	1	WELDMENT, EXHAUST MANIFOLD
23	718422	1	CHAIN-GROUNDING - 1/0 ZP 17 LINKS
24	719056-1	1	ASSEMBLY, LH COVER PLT
25	719440-1	2	TAIL LIGHT ASSY, INDICATOR, LED
26	719484	3	RUNNER
27	719530	2	DECAL, SCRUBMASTER
28	730339	6	NUT, M10-1.50 ESN SS
29	730344	8	WASHER, M10 SS
30	730609	1	WASHER, M8 SS
31	730958	12	SCR-HH M10-1.50 X 25 SS
32	731433	3	LATCH
33	731594	1	HINGE, 3 X 8
34	PART OF 748995	2	LOCK WASHER
35	PART OF 748995	2	NUT

HOPPER FILTER GROUP (714759)

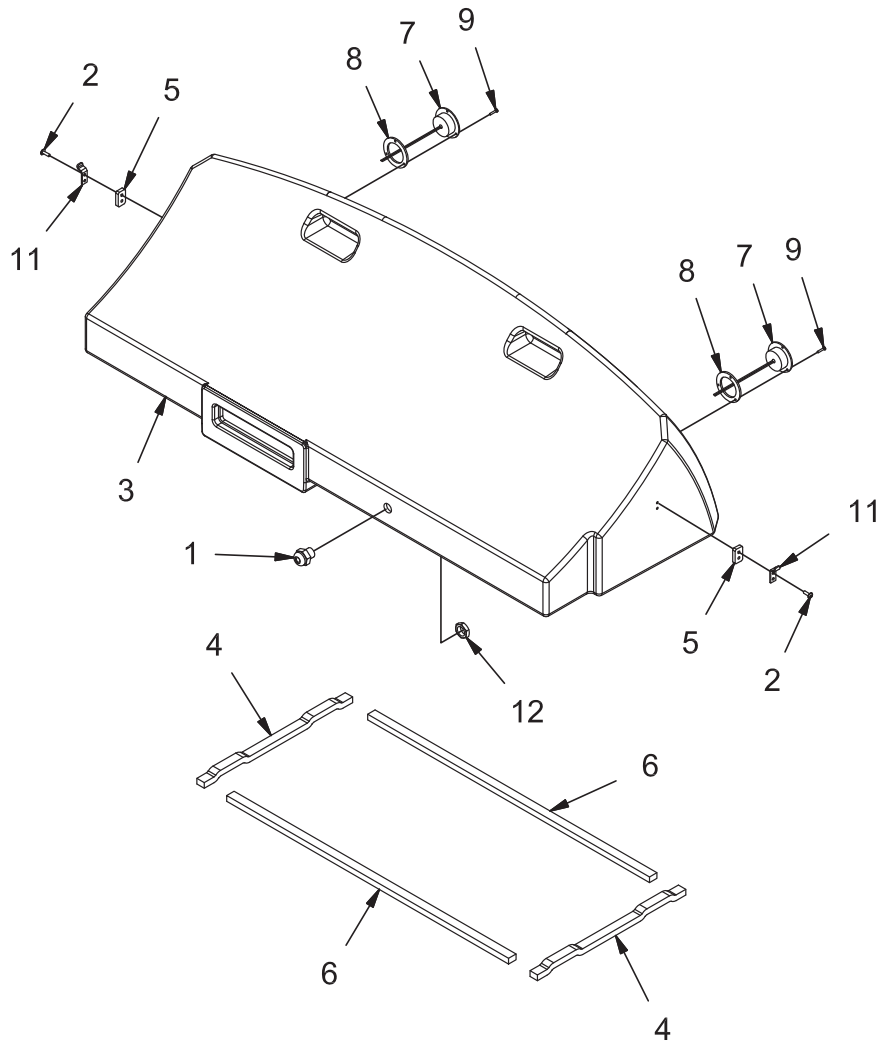


REV C

**HOPPER FILTER GROUP (714759)**

Parts List 714759			
ITEM	PART NUMBER	QTY	DESCRIPTION
1	11038247	4	BLT-HH M8-1.25 X 25 STL ZINC
2	12040044	10	NUT, M6-1.00 ESN
3	12040051	4	NUT, M8-1.25 ESN
4	210118	4	KNOB-3 SIDED 5/16 NYLOC
5	3300904	1	ISOLATOR-NEOPRENE, SHAKR MTR
6	3307850	4	ISOLATOR - RUBBER
7	3400090	10	WASHER, FENDER, 1/4 ZP
8	3400233	4	WASHER-FENDER 5/16 X 1.0 ZP
9	3400383	12	WASHER, 1/4 BELLEVILLE
10	3400384	2	WASHER, 5/16 BELLEVILLE
11	600940	4	WASHER, M8 FENDER
12	70-516-16	2	BLT-CARR 5/16-18 X 1.00 ZP
13	711374	2	NUT, FIBER INSERT 5/16-18
14	714052	1	WELDMENT, FILTER RETAINER
15	714542	2	WELDMENT, FILTER MNT
16	714612	1	FILTER - PANEL
17	714619-1	1	PRE-FILTER
18	717021	10	BOLT, M6-100 X 30 HH
19	718133	1	SHAKER, FILTER 36VDC
20	719496	2	BRACKET, SPPT, PRE-FILTER
21	730934	2	BOLT, M6-1.00 X 16 HH SS
22	750073	1	BRACKET, SHAKER MOTOR
23	REF.	-	HOPPER

**HOPPER SUB ASSEMBLY (714759-1)**



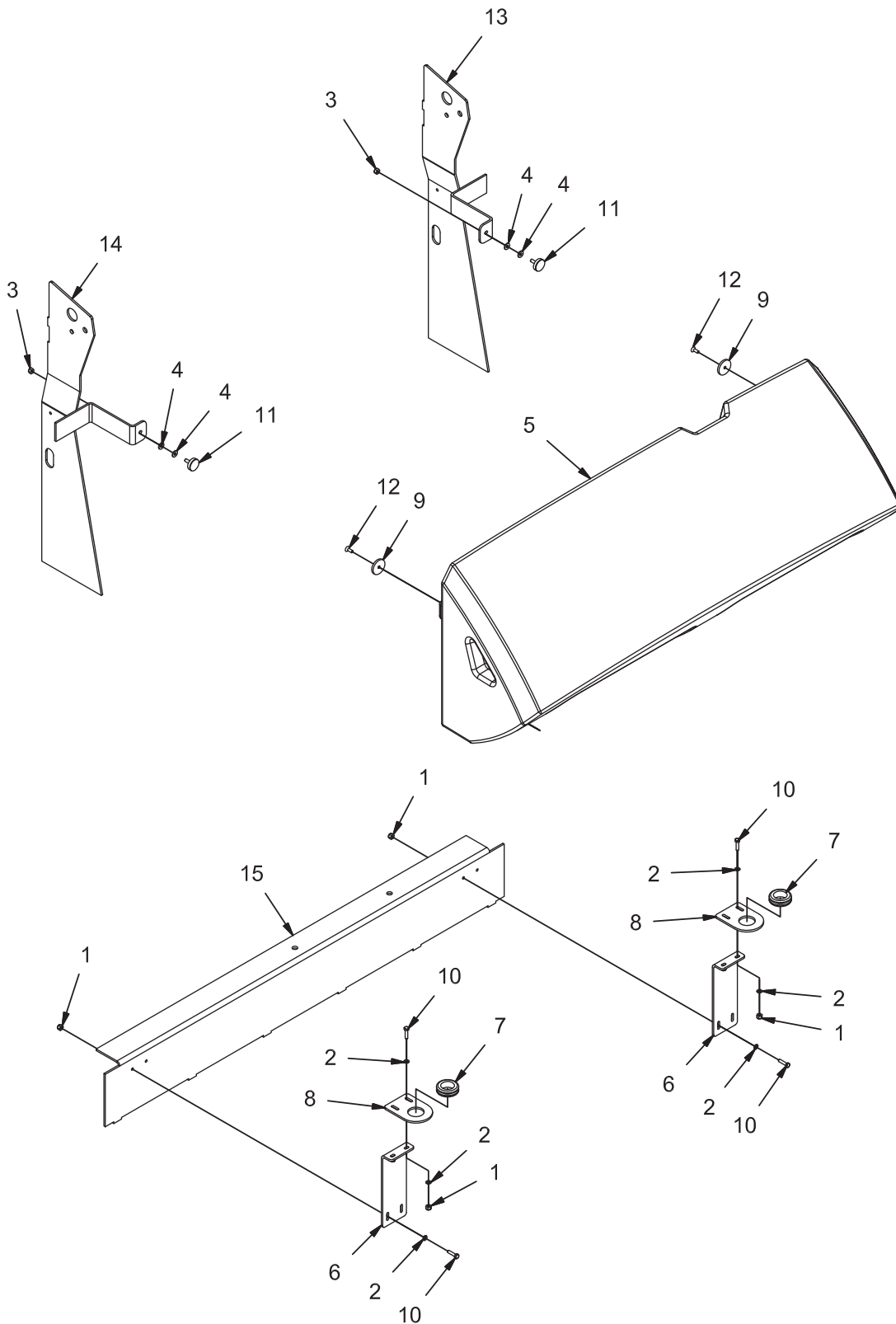
**REV B**



**HOPPER SUB ASSEMBLY (714759-1)**

Parts List 714759-1			
ITEM	PART NUMBER	QTY	DESCRIPTION
1	600482	1	STRAIN RELIEF
2	712830	4	SCR-THMS 10-24 X .62 ZP
3	714591-1	1	COVER, FILTER
4	718079	2	SEAL, FILTER COVER, SHORT
5	718160	2	SPACER, PLT
6	718243	2	SEAL, FILTER COVER, LONG
7	718252-1	2	LIGHT ASSY, LED, 36VDC
8	718253	2	GASKET, LIGHT
9	712145	6	SCR-HI/LO 6-20 X .375 SS B POINT
10	719451	1	HARNESS, HEADLIGHTS/SHAKER (NOT SHOWN)
11	PART OF 340664	2	LATCH, KEEPER
12	PART OF 600482	1	NUT, PLASTIC

UPPER COVER GROUP (714760)

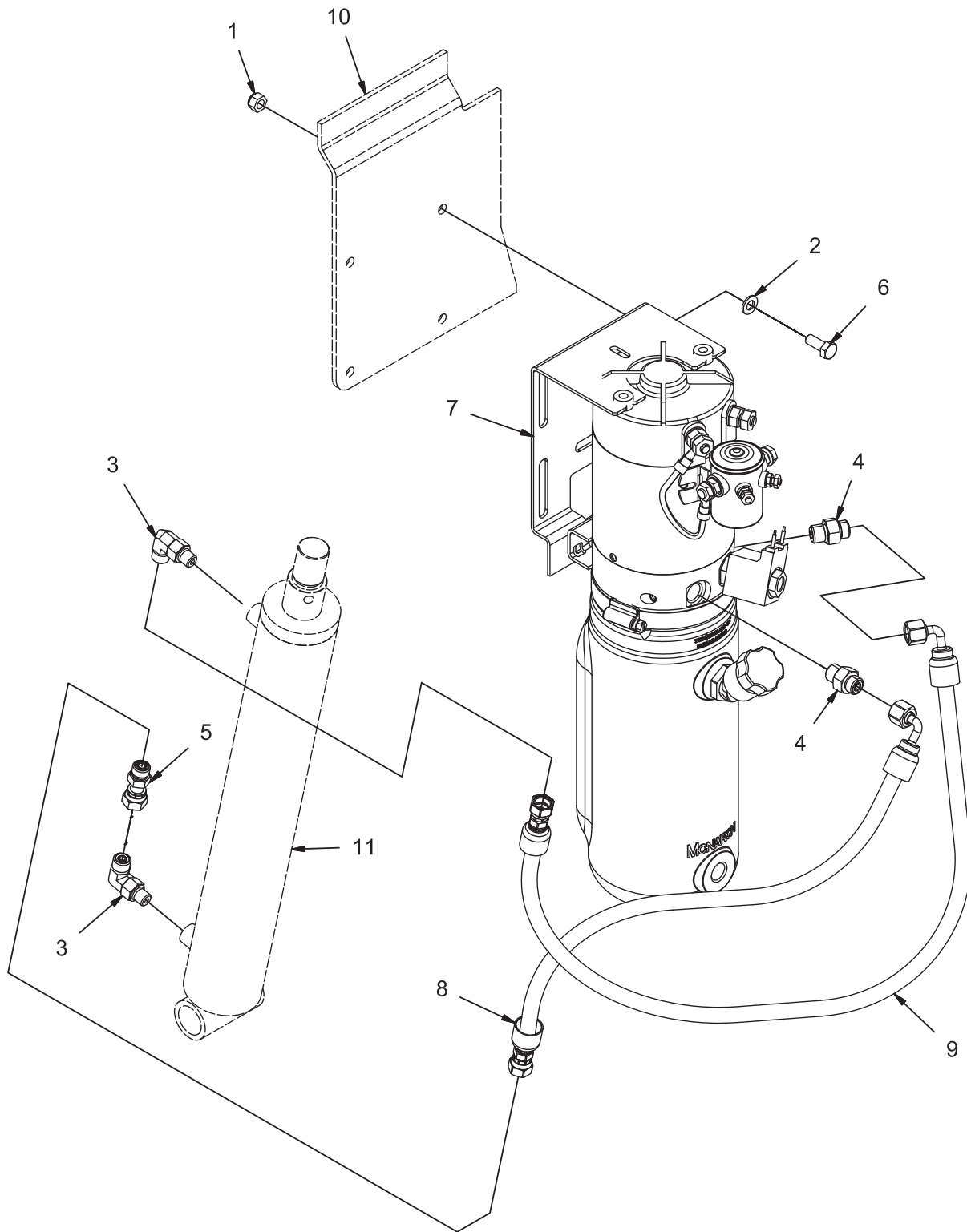


REV B

**UPPER COVER GROUP (714760)**

Parts List 714760			
ITEM	PART NUMBER	QTY	DESCRIPTION
1	12040044	8	NUT, M6-1.00 ESN
2	12310033	12	WASHER, M6
3	711373	2	NUT-NYLOC 1/4-20
4	711505	4	WASHER, FLAT 1/4
5	718244-1	1	UPPER COVER
6	718245	2	BRACKET, COVER MNT
7	718246	2	GROMMET, 1.25 ID 2.00 OD .18 MATL
8	718248	2	PLT, COVER MNT
9	718249	2	PLT, STRIKER
10	731006	8	BOLT, M6-1.00 X 25 HH ZP
11	770137	2	MAGNET
12	829306	2	SCR-FHMS M6-1.00 X 16 SS
13	REF.	-	FRAME
14	REF.	-	FRAME
15	REF.	-	FRAME

HOPPER HYDRAULIC UNIT GROUP (714762)

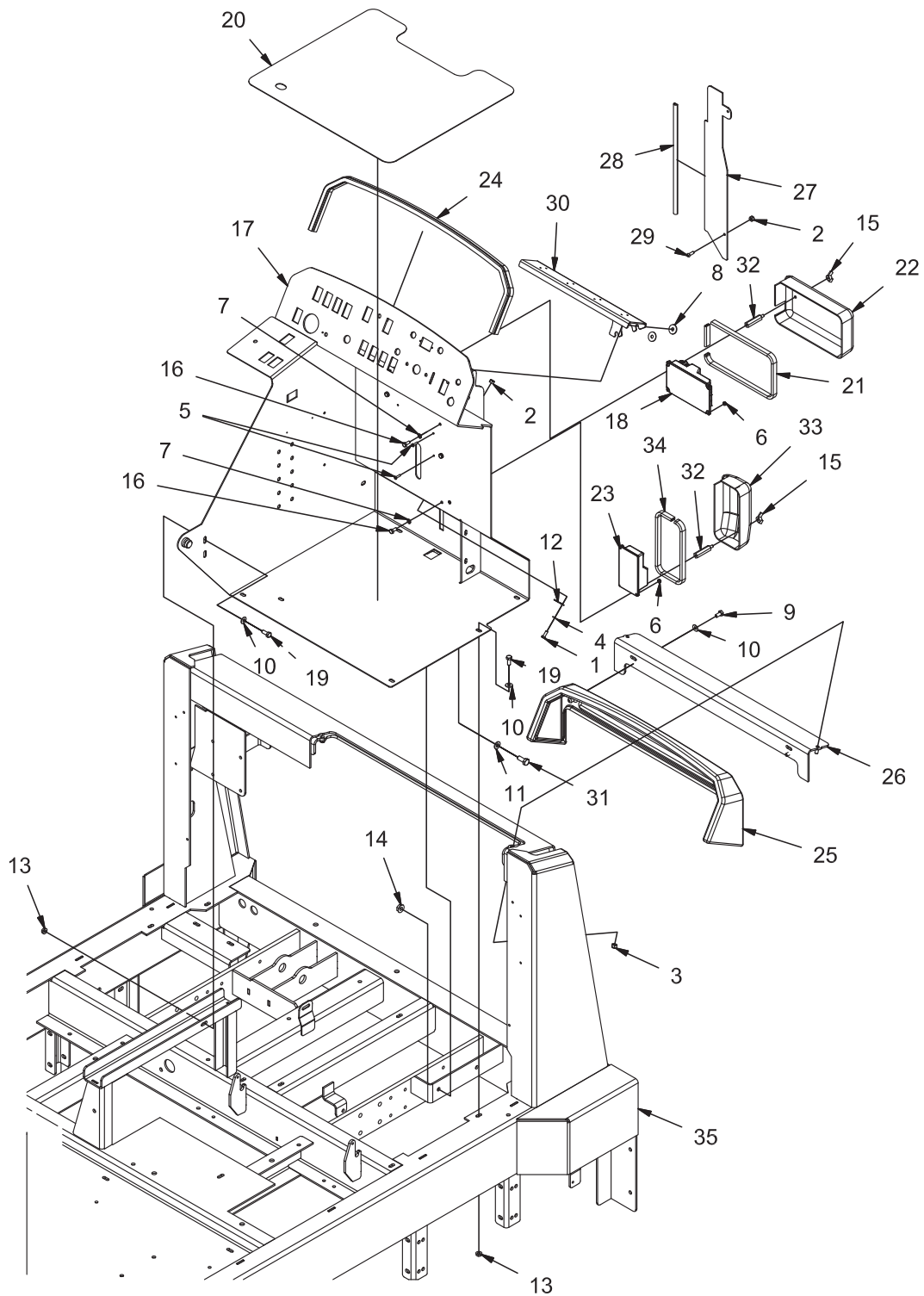


REV B

**HOPPER HYDRAULIC UNIT GROUP (714762)**

Parts List 714762			
ITEM	PART NUMBER	QTY	DESCRIPTION
1	12040051	4	NUT, M8-1.25 ESN
2	12310041	4	WASHER, M8
3	675507	2	FITTING, 90, -4 ORFS - 4 SAE
4	675511	2	FITTING, STR, 4 ORFS - 6 O-RING
5	675622	1	FITTING, ORIFICE, .031
6	717024	4	BOLT, M8-1.25 X 20 HH
7	718279	1	HYDRAULIC POWER UNIT
8	675479	1	HOSE C4 (90) - ROD BRM LIFT (STR)
9	675716	1	HOSE-POWER STR T - RESERVOIR
10	REF.	-	FRAME
11	REF.	-	CYLINDER

CONSOLE GROUP (714763)

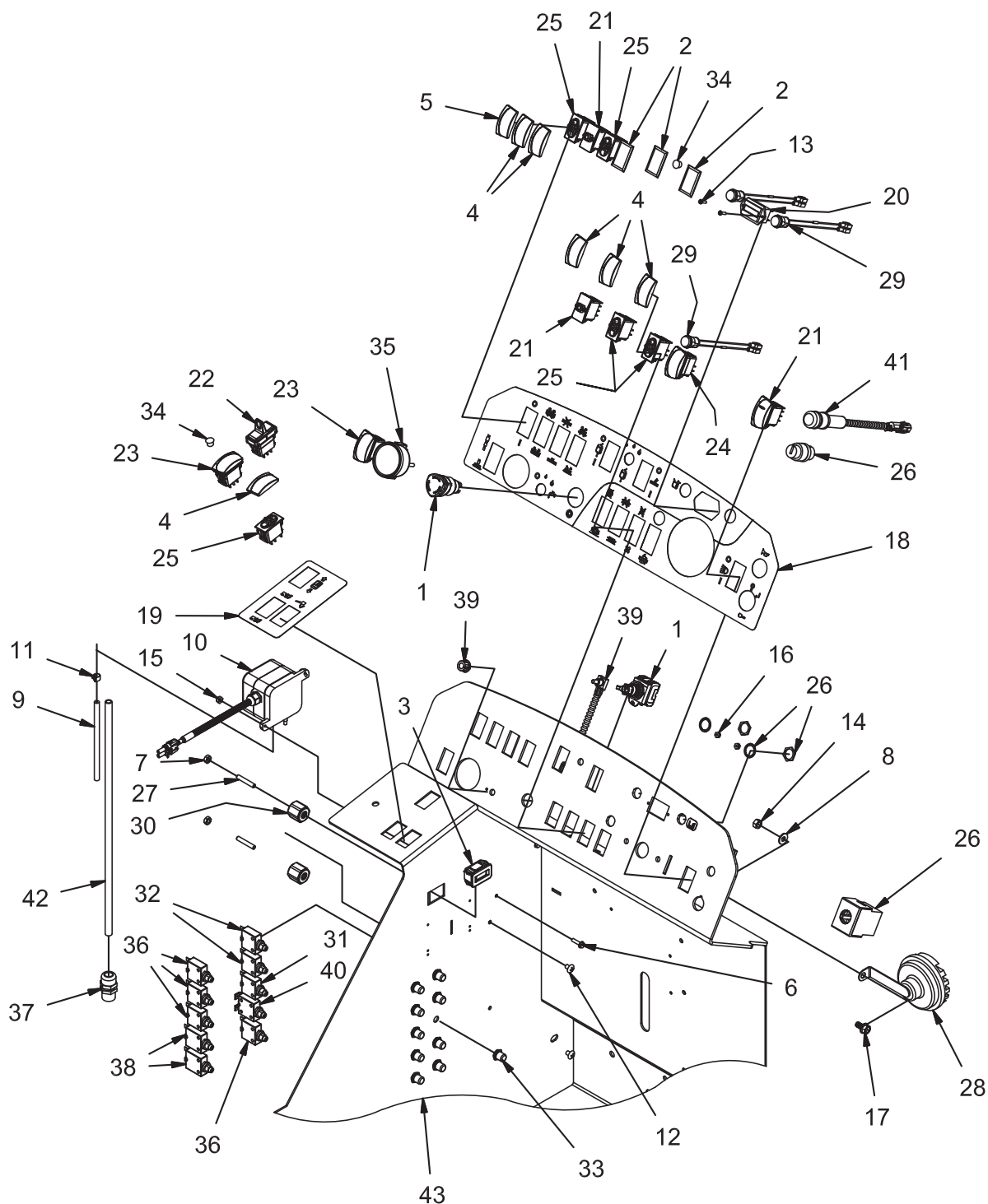


REV E

**CONSOLE GROUP (714763)**

Parts List 714763			
ITEM	PART NUMBER	QTY	DESCRIPTION
1	11038072	2	SCR-HH M6-1.0 X 16 ZP CLASS 8.8
2	12040044	4	NUT, M6-1.00 ESN
3	12040051	2	NUT, M8-1.25 ESN
4	12310033	2	WASHER, M6
5	3400045	4	SCR-PHMS 8-32X0.62 ZP SLOT HEAD
6	3400082	4	NUT, FIBER INSERT #8-32
7	3400103	4	WASHER-LOCK 1/4 SPLIT ZP
8	3400233	2	WASHER-FENDER 5/16 X 1.0 ZP
9	3400291	2	BOLT, M8-1.25 X 16 HH
10	3400384	9	WASHER, 5/16 BELLEVILLE
11	3400385	2	WASHER, 3/8, BELLEVILLE
12	600125	1	CATCH, PARKING BRAKE
13	600934	7	NUT, M8-1.25 FLNG
14	600936	2	NUT, M10-1.50 FLNG
15	711563	4	NUT-WING 1/4-20 NYLON
16	713001	4	SCR-HH 1/4-20 X .62 PLAIN GR 5
17	714574	1	WELDMENT, CONSOLE
18	714623-3	1	MOTOR CONTROLLER
19	717024	7	BOLT, M8-1.25 X 20 HH
20	718198	1	PAD, FLOOR
21	718201	1	SEAL, CONTROLLER
22	718202	1	COVER, PANEL
23	718203	1	CONTROLLER, STEERING
24	718277	1	SEAL, BULB
25	718278-1	1	SHIELD, INST PANEL
26	718281-1	1	ASSEMBLY, COVER
27	718282	1	COVER, PLT
28	718283	1	SEAL. BULB
29	718290	2	SCR-BHSCS M6-1.0 X 18 ZP
30	718403	1	PLATE, GUARD, STEERING
31	730958	2	SCR-HH M10-1.50 X 25 SS
32	731234	4	STANDOFF, PANEL, 1/4-20X 2.00
33	731275	1	COVER, TIMER/CONTROLLER
34	731276	1	SEAL, CONTROLLER
35	REF.	-	FRAME

**INSTRUMENT PANEL GROUP (714752)**



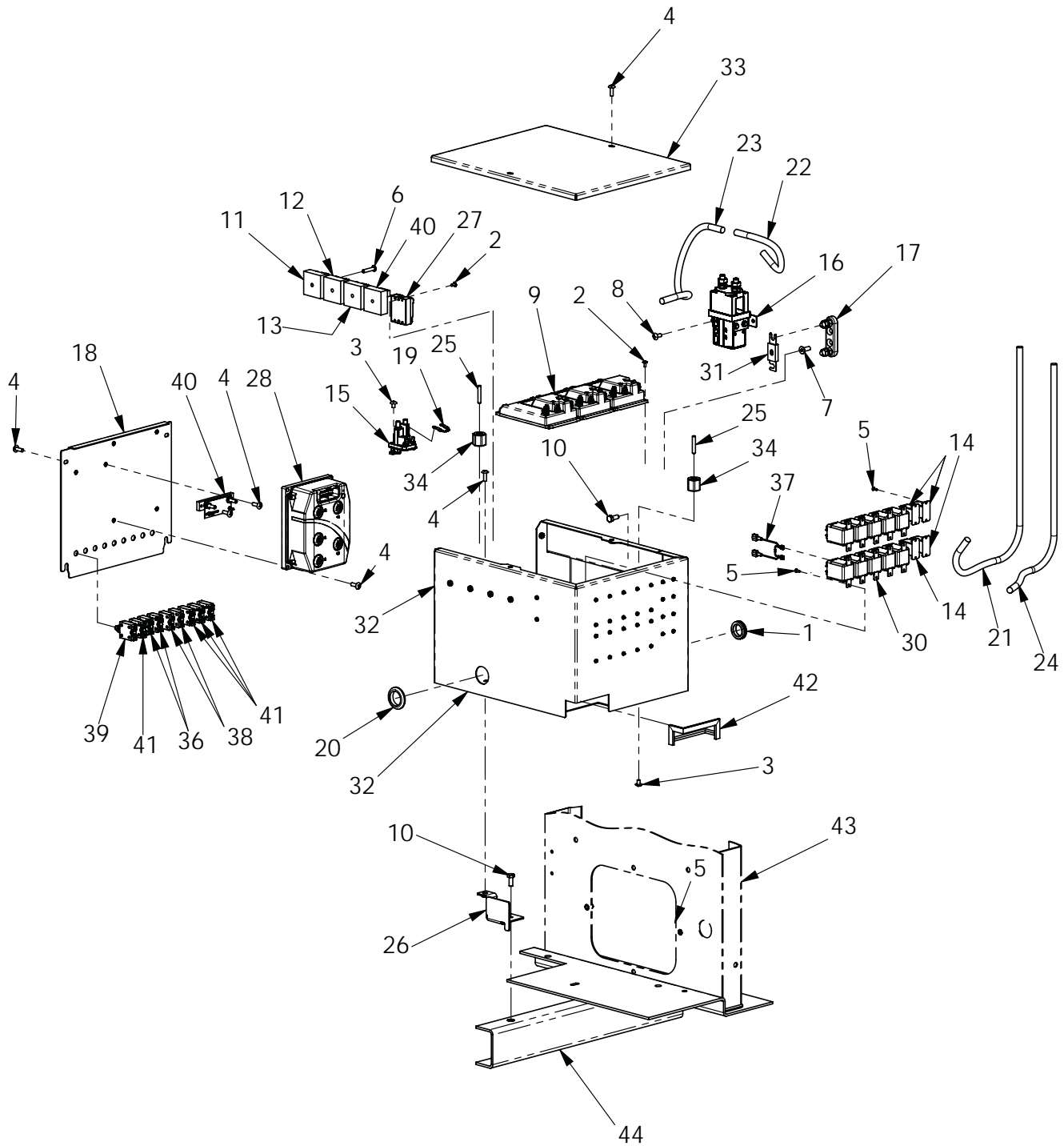
**REV F**



**INSTRUMENT PANEL GROUP (714752)**

Parts List 714752			
ITEM	PART NUMBER	QTY	DESCRIPTION
1	246123	1	EMERGENCY STOP
2	3323529	3	COVER
3	3336094	1	HOUR METER
4	3344038	6	SWITCH CAP
5	3344039	1	SWITCH CAP. GREEN
6	3400044	2	SCR-HEX, #10-32 X .75 ZP
7	3400071	2	NUT, HEX, 1/4-20 ZP
8	3400088	1	WASHER, 5/16, .687 X .344 X .062
9	450208	1	HOSE-1/8 ID NYLOBRAID RAW
10	690083-1	1	HARNESS ASSY, SWITCH, DIFF PRESSURE
11	690225	1	CLAMP - UNICLAMP .460 DIA STEEL
12	710177	2	SCR-THMS 1/4-20 X .37 ZP
13	710204	2	SCREW, #6-32 X .500 PAN HD ZP
14	711319	1	NUT-HEX 5/16-18 ZP
15	711350	2	NUT, 10-32, ESN
16	711371	2	NUT, #6-32 ESN ZP
17	712042	1	SCR-HH 5/16-18 X.62 ZP GR 5 FLANGE
18	718186	1	DECAL, DISC INST PANEL
19	718188	1	DECAL, HIGH DUMP
20	718349	1	BATTERY GAUGE
21	718357	3	SWITCH, DPDT ON-NONE-ON
22	718358	1	SWITCH, DPDT ON-NONE-ON
23	718359	2	SWITCH, DPDT (ON)-OFF-(ON)
24	718360	1	SWITCH, DPDT (ON)-NONE-OFF
25	718361	5	SWITCH, ON OFF
26	718375-1	1	KEYSWITCH ASSY, ON/OFF
27	719116	2	THREADED ROD .25-20X1.5
28	719164	1	DISC HORN, 36V
29	719440-2	3	LIGHT ASSY, INDICATOR, RED LED
30	740132	2	INSULATOR STANDOFF - STORM 1125-A1
31	740247	1	CIRCUIT BREAKER 30A
32	742350	2	CIRCUIT BREAKER 6A
33	742748	10	BOOT, CIRCUIT BREAKER
34	742749	2	PLUG, BLACK PLASTIC
35	743049	1	AMMETER
36	746006	4	CIRCUIT BREAKER 3A
37	746033	1	STRAIN RELIEF-HEYCO 1/2"
38	747609	2	CURCUIT BREAKER 4A
39	748537-20	1	POT ASSY, SOLUTION CONTROL
40	748904	1	CIRCUIT BREAKER 40A
41	749073	1	SWITCH-HORN W/HARNESS
42	810503	1	HOSE-PVC CLEAR, 5/16" ID, 7/16" OD
43	REF.	-	CONSOLE

ELECTRICAL BOX GROUP (719105)

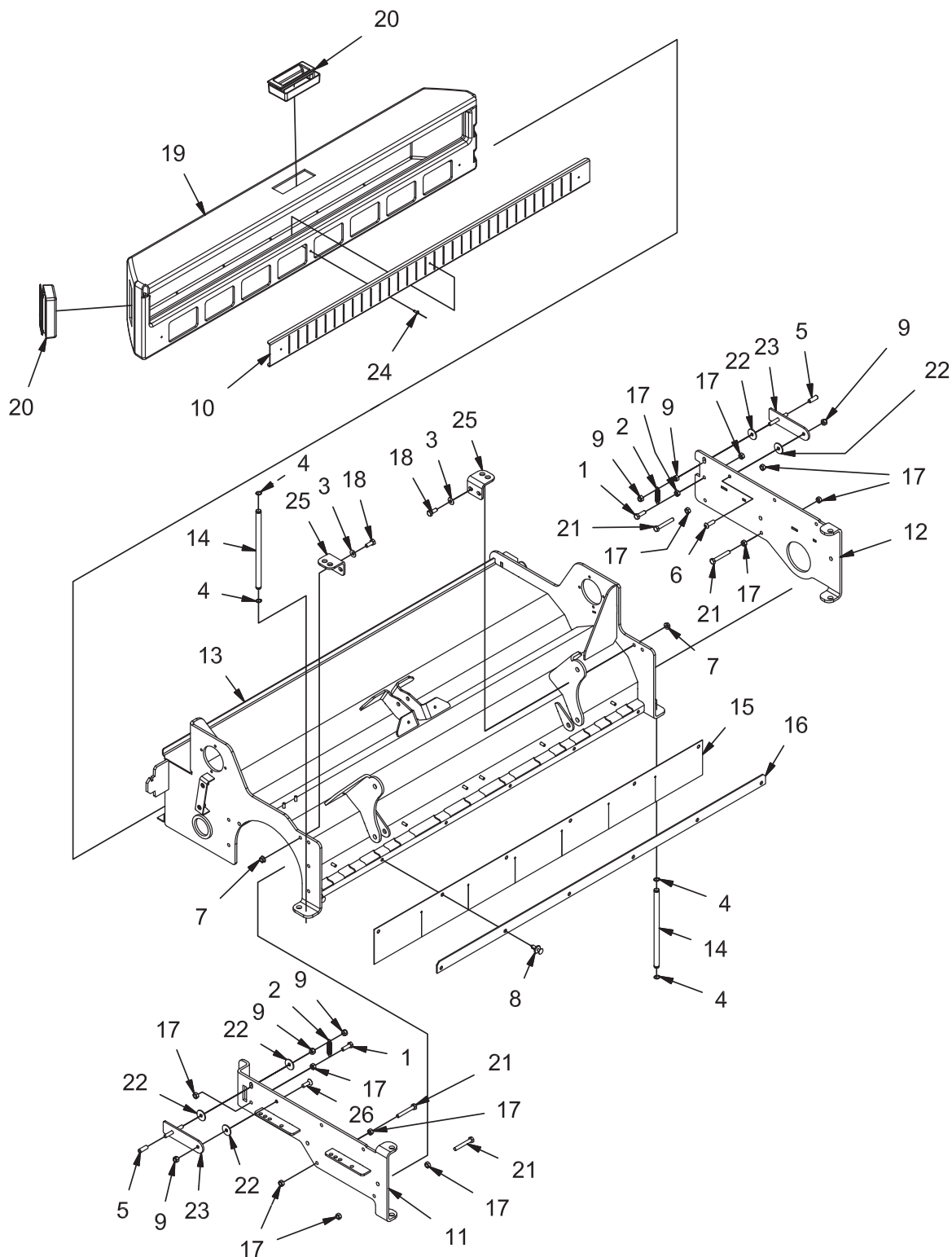


REV F

**ELECTRICAL BOX GROUP (719105)**

ITEM NO.	PART NUMBER	QTY.	DESCRIPTION
1	220327	1	GROMMET 1.25 X 1 X .125
2	710025	14	SCR-THMS 8-32 X 3/8 SS
3	710177	4	SCR-THMS 1/4-20 X .37 ZP
4	710180	13	SCR-THMS 1/4-20 X .75 ZP
5	710203	28	SCR-PHMS 6-32 X .37 ZP
6	710383	4	SCR-RHMS 1/4-20 X 1.25 ZP
7	712006	2	SCR-FHSCS 5/16-18 X 5/8 SS
8	712565	2	SCR-THMS 1/4-20 X .62 SS
9	714623-2	3	MOTOR CONTROLLER
10	717024	3	SCR-HH M8-1.25 X 20 ZP GRADE 8.8
11	718346-1	1	TIMER, SHAKER MOTOR
12	718346-2	1	TIMER, SQUEEGEE
13	718346-3	1	TIMER, VACUUM MOTOR
14	718350	4	RELAY, 36 VDC 15A
15	718353	1	CONTACTOR, 36VDC 100A
16	718364	1	CONTACTOR SPST
17	719094	1	FUSE BLOCK, W/STUDS
18	719101	1	WELDMENT, RIGHT PANEL
19	719106	1	DIODE ASY, IN4007 W/#10 RING
20	719109	1	GROMMET 1.25ID .06GRV 1.50D HOLE RBR
21	719112	1	CABLE - BATTERY POSITIVE
22	719113	1	CABLE - CONTACTOR TO FUSE
23	719114	1	CABLE - FUSE TO GROUND
24	719115	1	CABLE - BATTERY NEGATIVE
25	719116	2	THREADED ROD .25-20X1.5
26	719119	1	WELDMENT, SUPPORT BRACKET E-BOX
27	719129	1	3.5 - 32VDC CNTL, 100VDC 7A LOAD SSR
28	719138	1	DRIVE MOTOR CONTROLLER
29	719140	1	ELECTRICAL WIRES GROUP DISC (NOT SHOWN)
30	719181	10	RELAY, 36 VDC 15A
31	719419	1	FUSE, 300 AMP
32	719520	1	WELDMENT, ELECTRICAL BOX
33	719523	1	ELECTRICAL BOX COVER
34	740132	2	INSULATOR STANDOFF - STORM 1125-A1
40	740134-1	1	SHUNT W/O WIRES
36	740220	2	CIRCUIT BREAKER-20 AMP 2-TERMIN
37	740498	10	DIODE ASSY, IN4007 W/LEADS
38	741400	2	CIRCUIT BREAKER 10A
39	742266	1	CIRCUIT BREAKER, 60A
40	748537	1	TIMER-RELAY 24V, 10 SEC, 10A CONTACT
41	748904	4	CIRCUIT BREAKER 40A
42	3500118	1	GROMMET STRIP
43	REF	1	ASSEMBLY, SEAT BACK PANEL
44	REF	1	ASSEMBLY, FRAME, CYLINDRICAL

**CYLINDRICAL GROUPS**  
**CYLINDRICAL SCRUB HEAD GROUP (714700)**



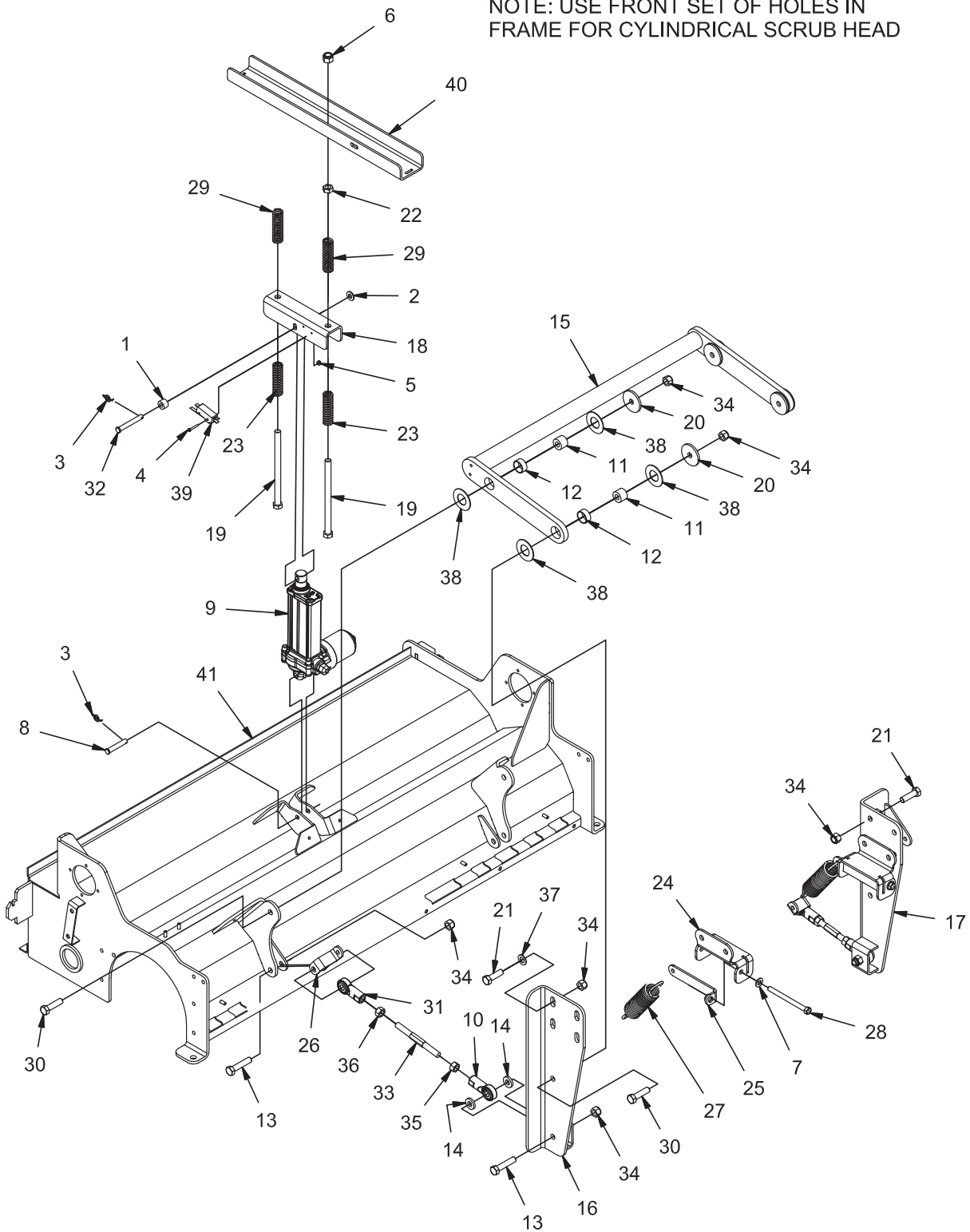
REV D

**CYLINDRICAL SCRUB HEAD GROUP (714700)**

Parts List 714700			
ITEM	PART NUMBER	QTY	DESCRIPTION
1	11039567	2	BOLT, M8-1.25 X 25 HH SS
2	3304160	2	SPRING, EXT
3	3400384	4	WASHER, 5/16 BELLEVILLE
4	600569	4	RETAINING RING, EXT .50 HD
5	600910	2	CAP
6	600917	1	SCREW, M8-1.25 X 25 BUTTON HD CAP SS
7	600934	4	NUT, M8-1.25 FLNG
8	600965	6	FASTENER, PRESS-IN
9	712683	6	NUT, 5/16-18 ESN SS
10	714506	1	CHANNEL, DAM
11	714508	1	WELDMENT, RH SQU MNT
12	714509	1	WELDMENT, LH SQU MNT
13	714514-1	1	ASSEMBLY, SCRUB HEAD
14	714529	2	SHAFT, HINGE
15	714530	1	SKIRT, SCRUB HEAD
16	714531	1	STRAP, RETAINER
17	717029	12	NUT, M8-1.25 SS
18	717030	4	SCR-HH M8-1.25 X 20 SS
19	718339-1	1	HOPPER, CYLINDRICAL
20	719190	2	HANDLE, FLUSH PULL
21	730507	4	BOLT, M8-1.25 X 55 HH SS
22	730526	6	WASHER, M8 FENDER SS
23	730622	2	WELDMENT, DOOR LATCH
24	730654	3	RIVET,BLIND, .156 D X .062 - .125 GRIP SS
25	731131	2	HINGE, ADJ
26	731139	1	SCREW, M8-1.25 X 25 FHCS SS

## CYLINDRICAL SCRUB HEAD LIFT GROUP (714701)

NOTE: USE FRONT SET OF HOLES IN FRAME FOR CYLINDRICAL SCRUB HEAD

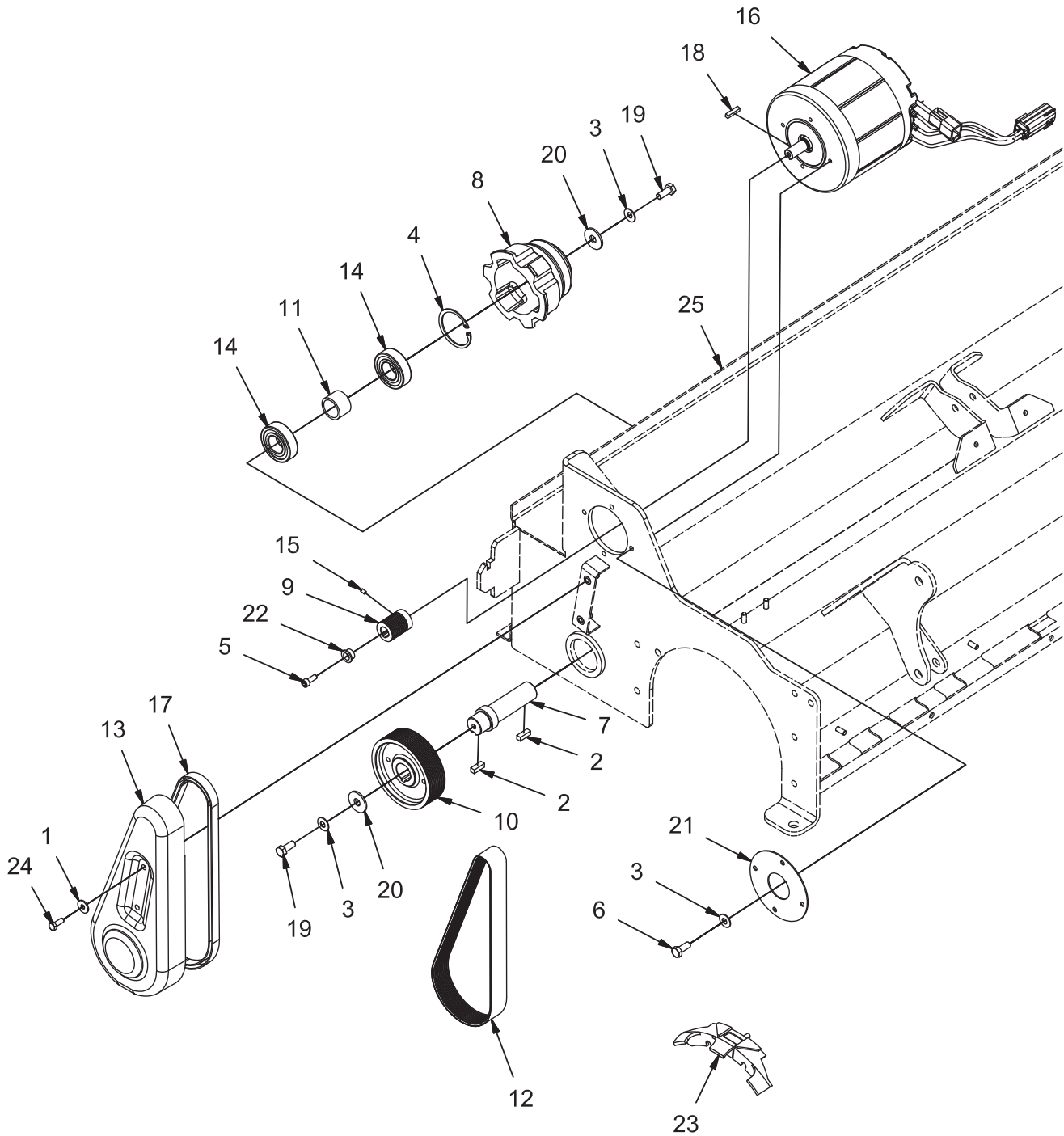


REV D

**CYLINDRICAL SCRUB HEAD LIFT GROUP (714701)**

Parts List 714701			
ITEM	PART NUMBER	QTY	DESCRIPTION
1	3337258	1	STANDOFF - .38 ID X .75 OD X .50 LG
2	3400087	1	WASHER, 3/8
3	3400125	2	RUE-RING, .375
4	710307	2	SCREW, #6-32 X 1.00 PAN HD ZP
5	711371	2	NUT, #6-32 ESN ZP
6	711376	2	NUT, FIBER INSERT 1/2-13
7	711515	2	WASHER-FLAT 3/8 X .812 X .0625 ZP
8	714586	1	PIN, CLEVIS, SPECIAL
9	714592-1	1	ACTUATOR, 36 VDC 1124 LBS 5.00 STK
10	714638	2	ROD END, FEM, M12-1.75 LH THRD
11	714646	4	SPACER .484 B 1.000 OD .75 T
12	714647	4	BEARING, FIBERGLIDE 1.00 B 1.125 OD .50 T
13	714648	4	SCR-HH M12-1.75 X 55 SS
14	714649	4	SPACER, .484 B 1.00 OD .179 T
15	718003	1	WELDMENT, TRAILING ARM
16	718004	1	WELDMENT, RH SH MNT
17	718005	1	WELDMENT, LH MNT
18	718013	1	CHANNEL, SPRING MNT
19	718014	2	SCR-HH 1/2-13 X 7.50 SS
20	718015	4	SPACER, .484 B 2.00 OD .179 T
21	718023	8	SCR-HH M12-1.75 X 40 SS
22	718178	2	NUT, HEX JAM 1/2-13
23	718180	2	SPRING, .813 OD .135 W 3.00 L
24	719486	2	HEAD WEIGHT SPRING BRACKET
25	719487	2	HEAD WEIGHT SPRING TENSIONER
26	719488	2	HEAD WEIGHT SPRING MOUNT
27	719489	2	SPRING, 1.5 X 6.5L
28	719490	2	SCR-HH 3/8-16 X 4.50 ZP GR 5 FULL THREAD
29	719505	2	SPRING-COMP .875 OD .12 W 3.00L
30	730516	4	SCR-HH M12-1.75 X 45 SS
31	730544	2	ROD END, FEM, M12-1.75
32	730602	1	PIN, CLEVIS, .375 X 2.75
33	730603	2	ROD, ADJ
34	730605	16	NUT, M12-1.75 ESN SS
35	730606	2	NUT, M12-1.75 LH THRD SS
36	730607	2	NUT, M12-1.75 HEX SS
37	730608	4	WASHER, M12 SS
38	730957	8	WASHER, THRUST, 1.03 B 2.00 OD .063 T
39	740830	1	SWITCH, LEVER
40	REF.	-	FRAME
41	REF.	-	CYLINDRICAL SCRUB HEAD

SCRUB BRUSH DRIVE GROUP (714702)



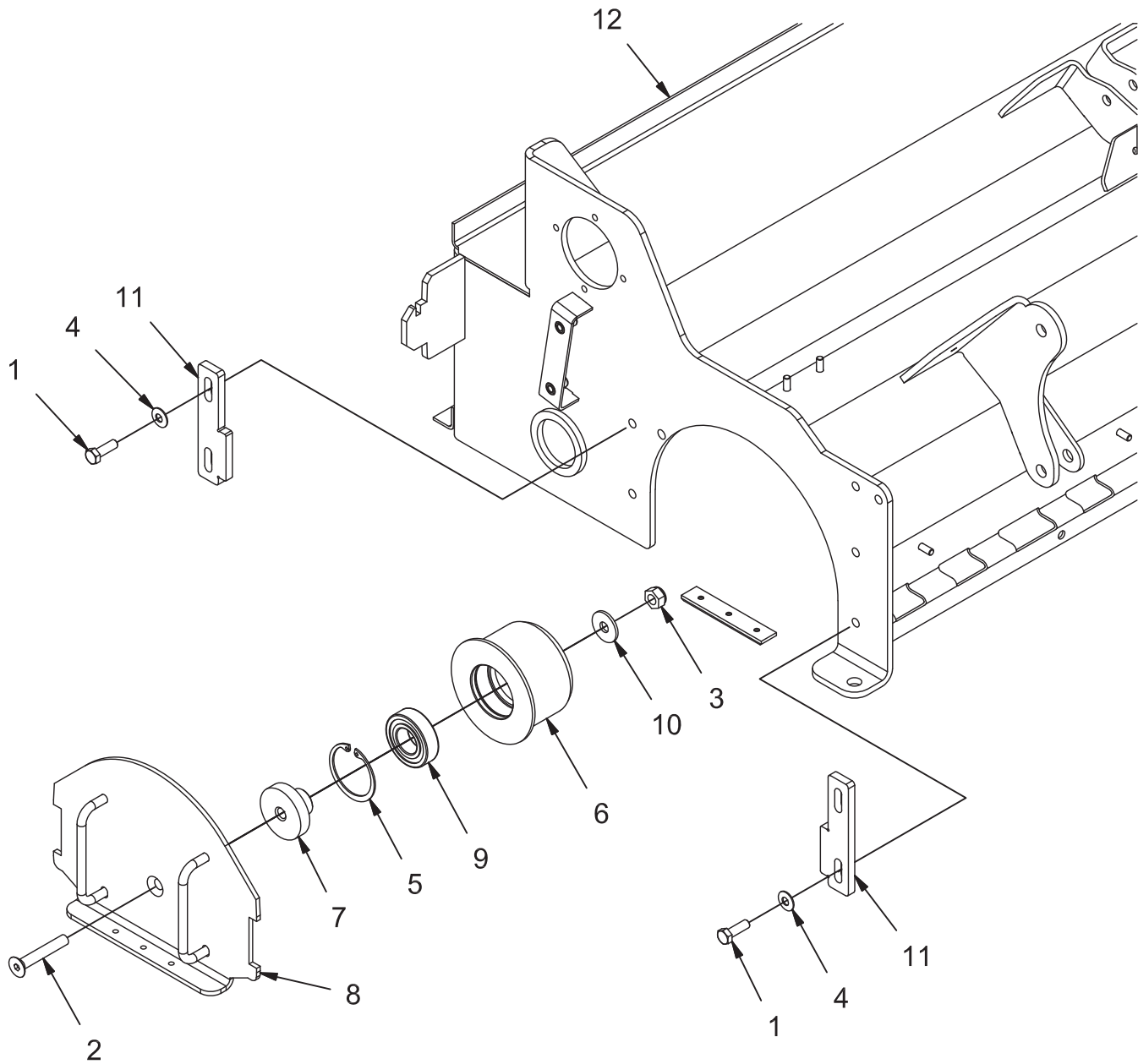
REV A



**SCRUB BRUSH DRIVE GROUP (714702)**

Parts List 714702			
ITEM	PART NUMBER	QTY	DESCRIPTION
1	12332011	4	WASHER, FENDER, M6
2	200528	4	KEY-1/4 X 1/4 X 3/4
3	3400384	12	WASHER, 5/16 BELLEVILLE
4	600575	2	RING, RETAINING INT, 2.00
5	600912	2	BOLT, M6-1.00 X 16 SHCS
6	712575	8	BOLT, 5/16-18 X .75 HH SS
7	714502	2	SHAFT, BRUSH DRIVE
8	714503-1	2	DRIVER
9	714512	2	PULLEY, MOTOR
10	714513	2	PULLEY, BRUSH
11	714515	2	SPACER, BRG
12	714517	2	BELT, 12 RIB
13	714518	2	GUARD, BELT
14	714519	4	BEARING, BALL, .98 B 2.05 D .59 W
15	714523	3	SCR-SET 8-32 X .25 SS
16	714524	2	MOTOR, 36 VDC 1750 RPM 1.5 HP
17	714525	2	SEAL, BELT GUARD
18	714581	2	KEY .188 SQ X .875
19	717030	4	SCR-HH M8-1.25 X 20 SS
20	717040	4	WASHER, FENDER, .413 B 1.18 OD .098 T SS
21	718204	2	SEAL, RING
22	718222	2	RETAINER, PULLEY
23	718298	1	TOOL, BELT INSTALLTION - REQUIRED
24	730934	4	BOLT, M6-1.00 X 16 HH SS
25	REF.	-	SCRUB HEAD

CYLINDRICAL SCRUB BRUSH IDLER GROUP (714703)

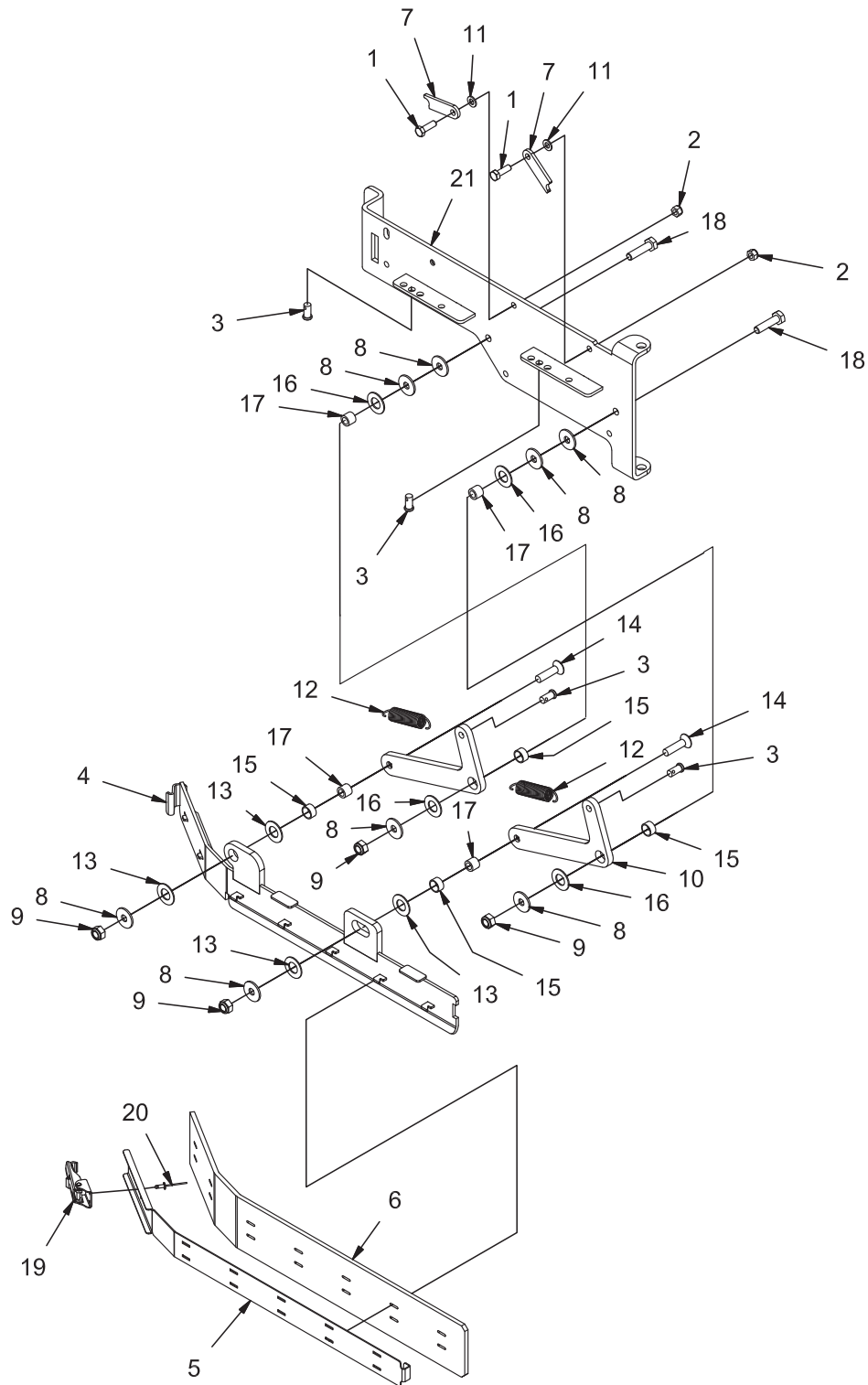


REV B

**CYLINDRICAL SCRUB BRUSH IDLER GROUP (714703)**

Parts List 714703			
ITEM	PART NUMBER	QTY	DESCRIPTION
1	11039567	8	BOLT, M8-1.25 X 25 HH SS
2	11225620	2	SCR-FHSCS M10-1.50 X 60 ZP
3	12040069	2	NUT, M10-1.50 ESN
4	3400384	8	WASHER, 5/16 BELLEVILLE
5	600575	2	RING, RETAINING INT, 2.00
6	714504	2	HUB, IDLER
7	714505	2	MOUNT, BEARING
8	714516	2	WELDMENT, BRUSH RETAINER
9	714519	2	BEARING, BALL, .98 B 2.05 D .59 W
10	717040	2	WASHER, FENDER, .413 B 1.18 OD .098 T SS
11	718166	4	PLT, ADJ
12	REF.	-	CYLINDRICAL SCRUB HEAD
13	SKID	2	

SIDE SQUEEGEE GROUP - RH (714704)

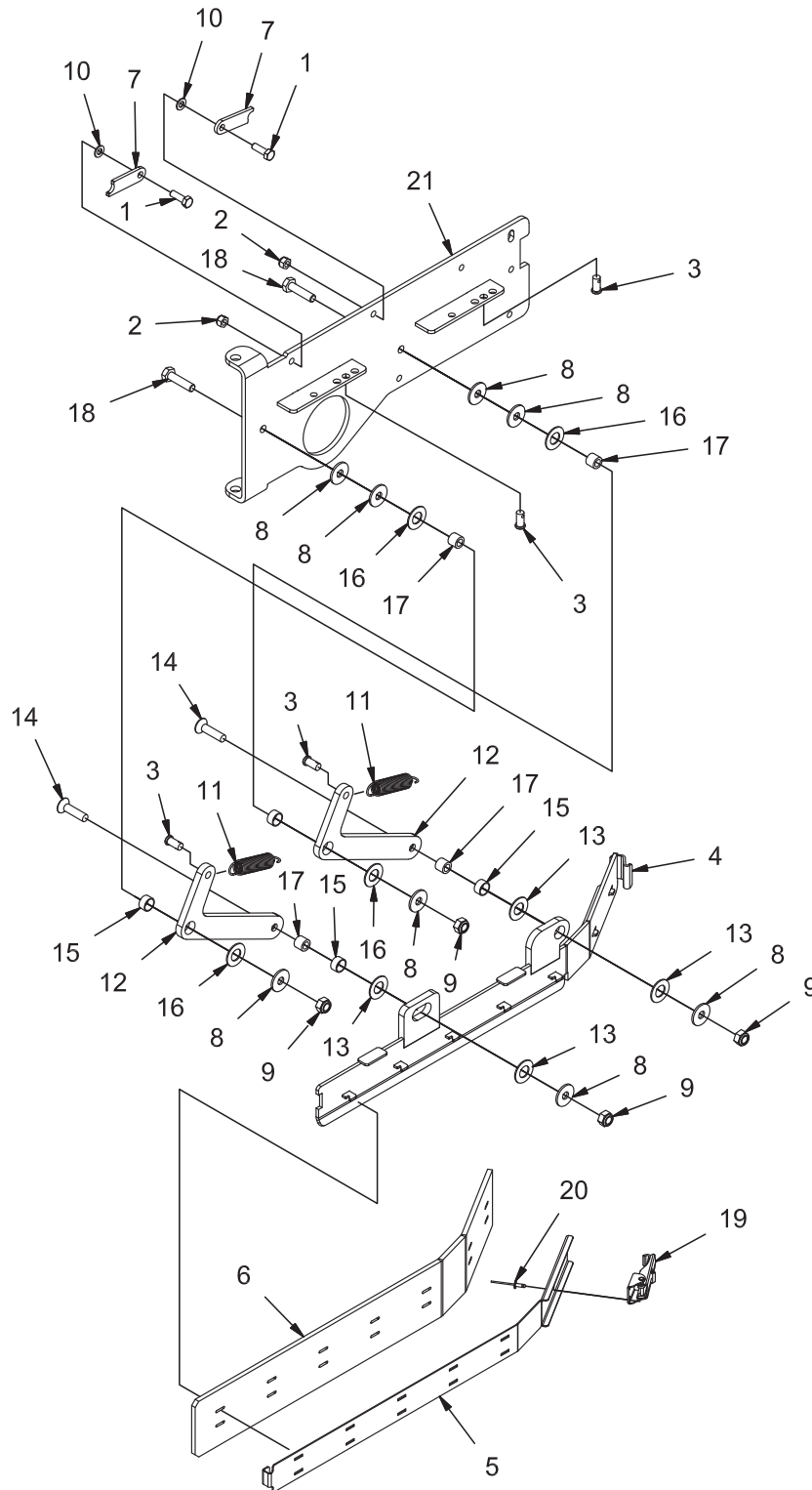


REV C

**SIDE SQUEEGEE GROUP - RH (714704)**

Parts List 714704			
ITEM	PART NUMBER	QTY	DESCRIPTION
1	11039567	2	BOLT, M8-1.25 X 25 HH SS
2	12040259	2	NUT, M8-1.25 ESN SS
3	711679	4	PIN, CLEVIS, .375 X .75
4	714510	1	WELDMENT, BLADE MNT, RH
5	714520	1	STRAP, SIDE SQU
6	714521	1	BLADE, SIDE SQUEEGEE
7	714643	2	LATCH, DOUBLE SCRUB
8	717040	8	WASHER, FENDER, .413 B 1.18 OD .098 T SS
9	730339	4	NUT, M10-1.50 ESN SS
10	730346	2	ARM, SIDE SQU, RH
11	730609	2	WASHER, M8 SS
12	730619	2	SPRING, EXT, .07 W .75 OD 3.50 L SS
13	730641	4	WASHER, BACKED THRUST .66 B 1.25 OD .06 T
14	730645	2	SCREW, M10-1.50 X 40 FLAT HD SOC HD SS
15	730646	4	BEARING, DU, .63 B .72 OD .38 T
16	730647	4	WASHER, THRUST, .66 B 1.25 OD .06 T
17	730648	4	SPACER, .406 B .624 OD .515 T SS
18	730649	2	BOLT, M10-1.50 X 40 HH SS
19	730652	1	LATCH, UNDER CENTER
20	730654	2	RIVET,BLIND, .156 D X .062 - .125 GRIP SS
21	REF.	-	RH SQUEEGEE MOUNT

**SIDE SQUEEGEE GROUP - LH (714705)**

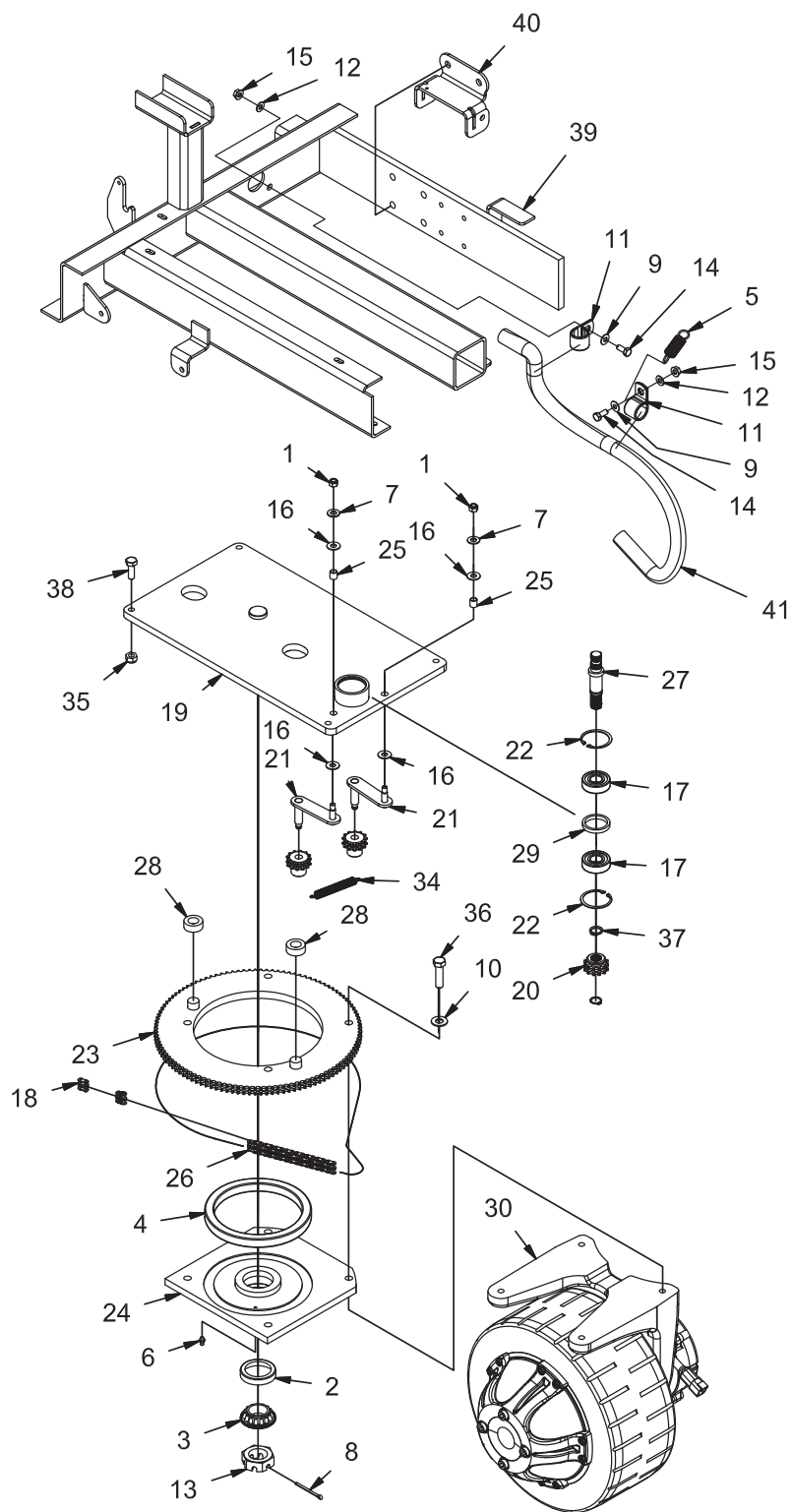


**REV B**

**SIDE SQUEEGEE GROUP - LH (714705)**

Parts List 714705			
ITEM	PART NUMBER	QTY	DESCRIPTION
1	11039567	2	BOLT, M8-1.25 X 25 HH SS
2	12040259	2	NUT, M8-1.25 ESN SS
3	711679	4	PIN, CLEVIS, .375 X .75
4	714511	1	WELDMENT, BLADE MNT, LH
5	714520	1	STRAP, SIDE SQU
6	714521	1	BLADE, SIDE SQUEEGEE
7	714643	2	LATCH, DOUBLE SCRUB
8	717040	8	WASHER, FENDER, .413 B 1.18 OD .098 T SS
9	730339	4	NUT, M10-1.50 ESN SS
10	730609	2	WASHER, M8 SS
11	730619	2	SPRING, EXT, .07 W .75 OD 3.50 L SS
12	730620	2	ARM, SIDE SQU, LH
13	730641	4	WASHER, BACKED THRUST .66 B 1.25 OD .06 T
14	730645	2	SCREW, M10-1.50 X 40 FLAT HD SOC HD SS
15	730646	4	BEARING, DU, .63 B .72 OD .38 T
16	730647	4	WASHER, THRUST, .66 B 1.25 OD .06 T
17	730648	4	SPACER, .406 B .624 OD .515 T SS
18	730649	2	BOLT, M10-1.50 X 40 HH SS
19	730652	1	LATCH, UNDER CENTER
20	730654	2	RIVET,BLIND, .156 D X .062 - .125 GRIP SS
21	REF.	-	LH SQUEEGEE MOUNT

DRIVE WHEEL GROUP - CYLINDRICAL (714709)



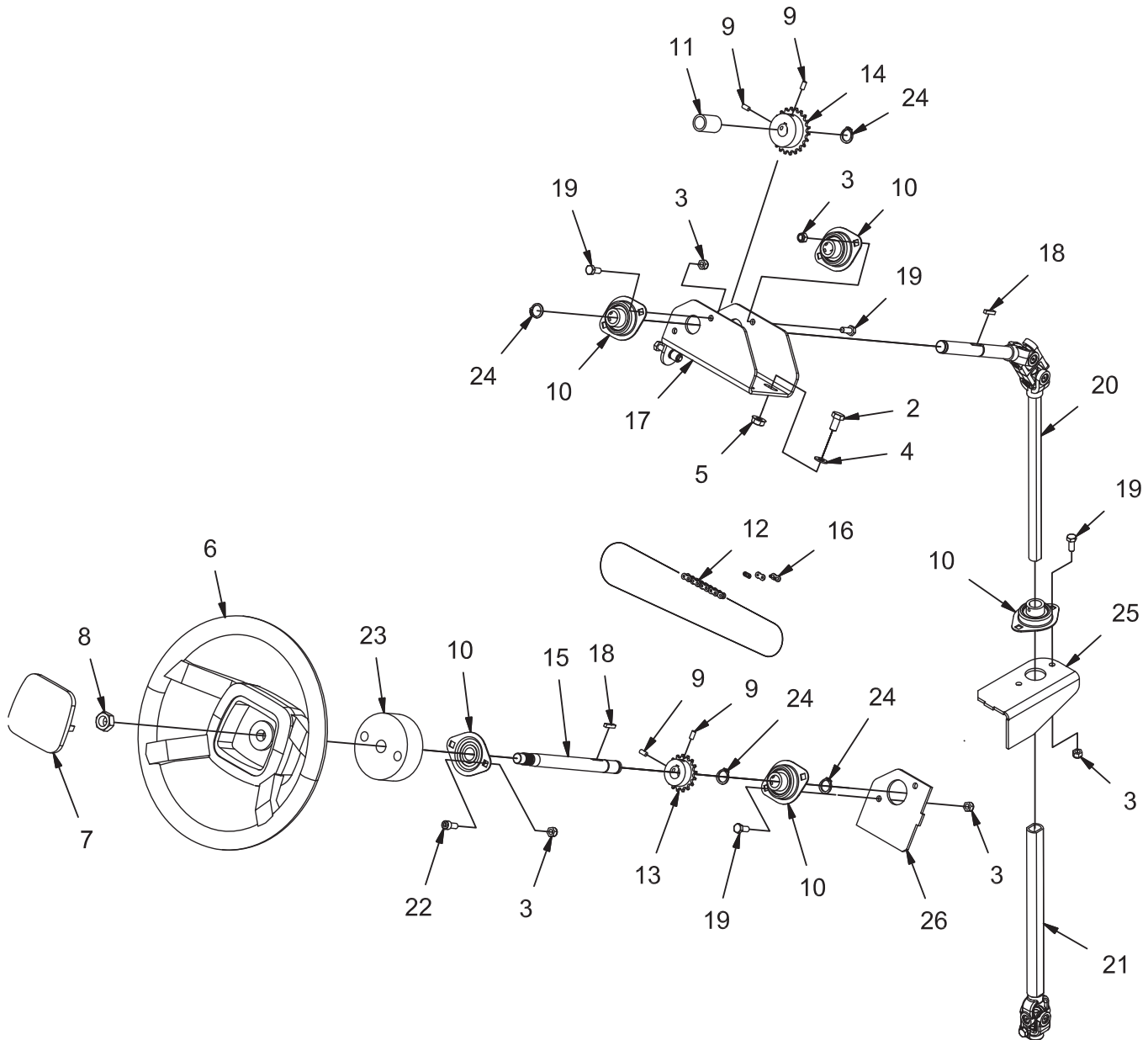
REV C



**DRIVE WHEEL GROUP - CYLINDRICAL (714709)**

Parts List 714709			
ITEM	PART NUMBER	QTY	DESCRIPTION
1	12040259	2	NUT, M8-1.25 ESN SS
2	3300470	1	BEARING, PIVOT BEARING - CUP
3	3300471	1	BEARING - CONE W/SEAL
4	3300472	1	BEARING, PIVOT THRUST
5	3301517	1	SPRING
6	3400012	1	GREASE ZIRK
7	3400087	2	WASHER, 3/8
8	3400120	1	PIN-COTTER 5/32 X 2.00 ZP
9	3400384	2	WASHER, 5/16 BELLEVILLE
10	3400387	4	WASHER, .50 CONICAL
11	3400999	2	CLAMP, HOSE
12	600941	2	WASHER, .344 B .688 OD .05 THK
13	620066	1	NUT, SLOTTED, 1-1/4-12
14	711228	2	SCR-HH 5/16-18 X .75 ZP GR 5
15	711379	2	NUT-FLANGED WIZZ 5/16-18 ZP
16	711569	4	WASHER, NYLON, .390 X .875 X .062
17	714553	2	BEARING, BALL, .79 B 1.85 D .55 T
18	714554	1	DOUBLE CHAIN CONNECTOR LINK #35
19	714555	1	WELDMENT, BEARING MNT
20	714557	1	SPROCKET, DOUBLE, 12 T .375 PITCH
21	714560	2	WELDMENT, TENSIONER
22	714562	2	RING, RETAINING INT, 1.85
23	714563	1	WELDMENT, FORK SPROCKET
24	714564-1	1	WELDMENT, FORK PLT, MACH
25	714565	2	BEARING, DU, .375 ID .468 OD .500 T
26	714566	1	CHAIN, ROLLER, DOUBLE, .375 PITCH
27	714568	1	SHAFT, FORK SPROCKET
28	714569	2	BUMPER, STEERING
29	714570	1	SPACER, BEARING
30	714571	1	ASSEMBLY, WHEEL DRIVE, 36VAC
31	718242	1	CHAIN LINK, #35 DOUBLE OFFSET
32	718363	1	RET RING-EXT .688
33	719137	2	SPROCKET
34	719170	1	SPRING, EXT, .063 W .50 OD 3.75 L SS
35	730339	4	NUT, M10-1.50 ESN SS
36	730516	4	SCR-HH M12-1.75 X 45 SS
37	730877	1	RETAINING RING, EXT, .750
38	730878	4	BOLT, M10-1.50 X 30 HH SS
39	REF	1	CYL FRAME FOR DRIVE WHEEL GROUP
40	REF	1	HEAD WEIGHT SPRING BRACKET
41	REF	1	DRIVE WHEEL HARNESS

STEERING GROUP, MANUAL (714711)

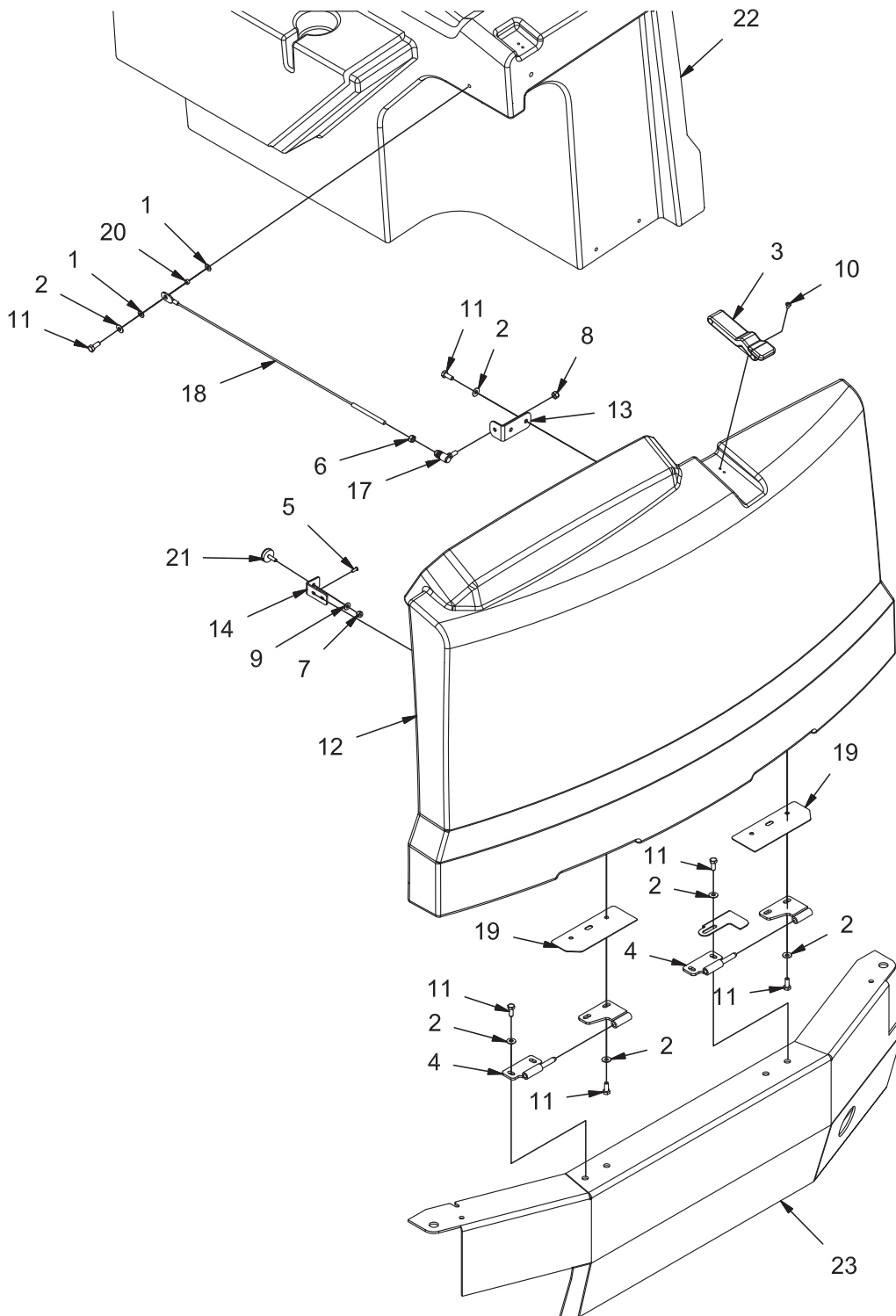


REV E

**STEERING GROUP, MANUAL (714711)**

Parts List 714711			
ITEM	PART NUMBER	QTY	DESCRIPTION
1	11038299	1	SCR-HH M8-1.25 X 45 ZP CLASS 8.8
2	11038353	2	BOLT, M10-1.50 X 20 HH
3	12040051	10	NUT, M8-1.25 ESN
4	3400385	2	WASHER, 3/8, BELLEVILLE
5	600936	2	NUT, M10-1.50 FLNG
6	610000	1	STEERING WHEEL, POWERBOSS
7	610001		STEERING WHEEL CAP, POWERBOSS
8	620057	1	NUT, JAM, M16-1.50 STL ZP
9	712160	4	SETSCREW, M6-1.0 X 12 SS
10	714558	5	BEARING, .75 B 2-BOLT FLANGE
11	714559	1	BUSHING, BRONZE .750 B 1.000 OD 1.500 L
12	714575	1	CHAIN, ROLLER .375 PITCH
13	714576	1	SPROCKET .375 PITCH 17 TOOTH
14	714577	1	SPROCKET .375 PITCH 22 T
15	714578	1	SHAFT, STEERING WHEEL
16	714579	1	CHAIN CONNECTOR LINK #35
17	714580-1	1	ASSEMBLY, CHANNEL, CHAIN ADJ
18	714581	2	KEY .188 SQ X .875
19	717024	8	BOLT, M8-1.25 X 20 HH
20	718151	1	STEERING SHAFT, MANUAL, UPPER
21	718152	1	UNIVERSAL JOINT, MANUAL DOUBLE D SHAFT LOWER
22	718310	2	SCR-BHCS M8-1.25 X 20 ZP
23	718311	1	RING, STEERING
24	730877	4	RETAINING RING, EXT, .750
25	REF.	-	CONSOLE
26	REF.	-	CONSOLE

FRONT COVER GROUP (714739)

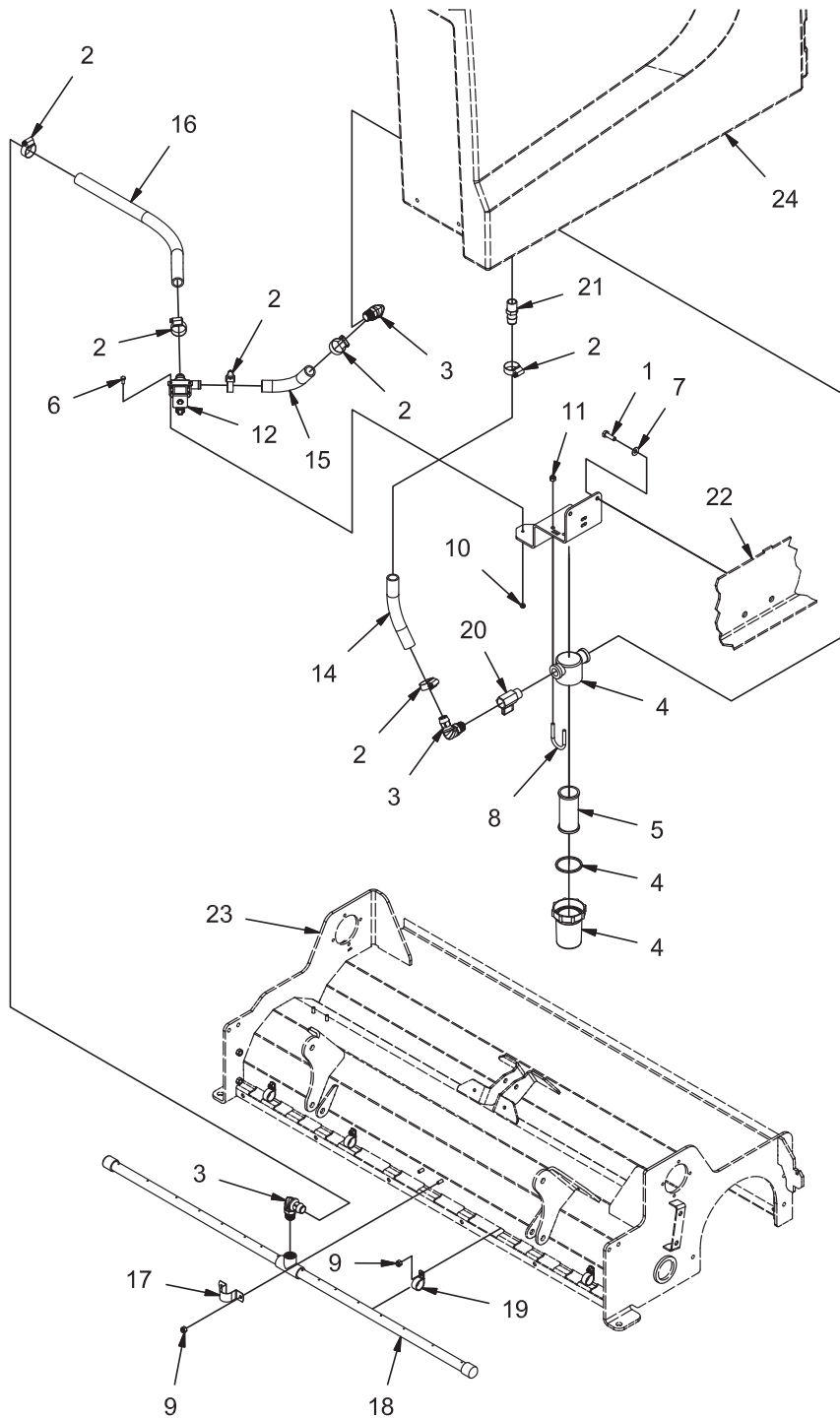


REV B

**FRONT COVER GROUP (714739)**

Parts List - 714739			
ITEM	PART NUMBER	QTY	DESCRIPTION
1	12310041	2	WASHER-FLAT M8.4 X 16 X 1.6 ZP
2	3400384	11	WASHER, 5/16 BELLEVILLE
3	340664	1	LATCH, DRAW
4	600383	2	WELDMENT, HINGE, MALE, LG
5	711163	2	SCR-HI/LO 10 X .50 BLACK ZINC PAN HD
6	711322	1	NUT, HEX 5/16-24 ZP
7	711373	1	NUT-NYLOC 1/4-20
8	711374	1	NUT, FIBER INSERT 5/16-18
9	711505	1	WASHER, FLAT 1/4
10	712540	2	SCR-THMS 10-24 X .37 SS
11	717024	11	SCR-HH M8-1.25 X 20 ZP GRADE 8.8
12	718130-1	1	COVER, FRONT
13	718144	1	MNT, CABLE
14	718381	1	BRACKET FRONT COVER, MAGNET
15	718385	1	RETAINER, COVER, TRUE GRIT
16	730407	2	WELDMENT, HINGE, FEM
17	730430	1	BALL JOINT, .312, QUICK RELEASE
18	730431	1	CABLE ASSEMBLY
19	730447	2	COVER, HINGE
20	730448	1	SPACER, .328 B .375 OD .188 T
21	770137	1	MAGNET
22	REF.	-	SOLUTION TANK
23	REF.	-	FRAME

SOLUTION CONTROL GROUP, CYLINDRICAL (714742)

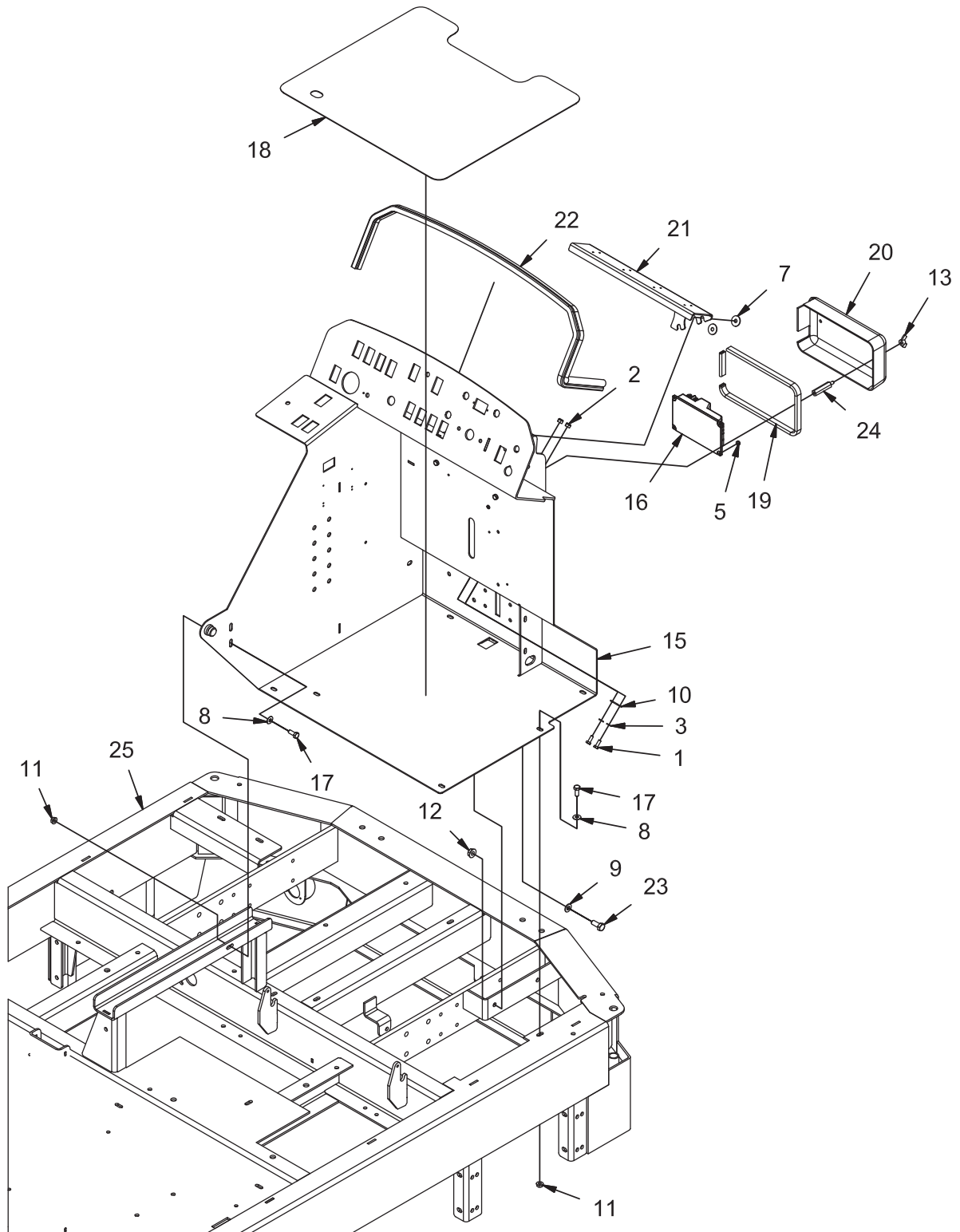


REV A

**SOLUTION CONTROL GROUP, CYLINDRICAL (714742)**

Parts List 714742			
ITEM	PART NUMBER	QTY	DESCRIPTION
1	11038247	2	BLT-HH M8-1.25 X 25 STL ZINC
2	3302193	6	CLAMP, HOSE, .75 - 1.25
3	3315536	3	FTG, 1/2 MPT TO 3/4 BARB
4	3323501	3	FILTER ASSEMBLY
5	3332264	1	FILTER ELEMENT - SERVICE
6	3400315	2	SCR-HEX,#10-32 X .50 ZP
7	3400384	2	WASHER, 5/16 BELLEVILLE
8	3401981	2	CLAMP
9	600933	6	NUT, M6-1.00 ESN SS
10	711350	2	NUT, 10-32, ESN
11	712667	4	NUT, FIBER INSERT 1/4-20 SS
12	718007	1	VALVE, SOLENOID SOLUTION 36VDC
13	718167	1	BRACKET, FILTER MNT - CYL
14	718168	1	TUBING, .75 ID X 1.031 OD REIN VINYL
15	718169	1	TUBING, .75 ID X 1.031 OD REIN VINYL
16	718170	1	TUBING, .75 ID X 1.031 OD REIN VINYL
17	730974	1	CLAMP, CONDUIT, 1"
18	731214	1	SOLUTION DELIVERY BAR
19	731218	4	CLAMP, .88 HOSE
20	731378	1	BALL VALVE, 1/2" NPT, BRASS
21	731554	1	FTG, STR, 1/2 NPT TO 3/4 BARB, PLASTIC
22	REF.	-	FRAME
23	REF.	-	CYLINDRICAL SCRUB HEAD
24	REF.	-	SOLUTION TANK

CONSOLE GROUP, CYLINDRICAL (714748)



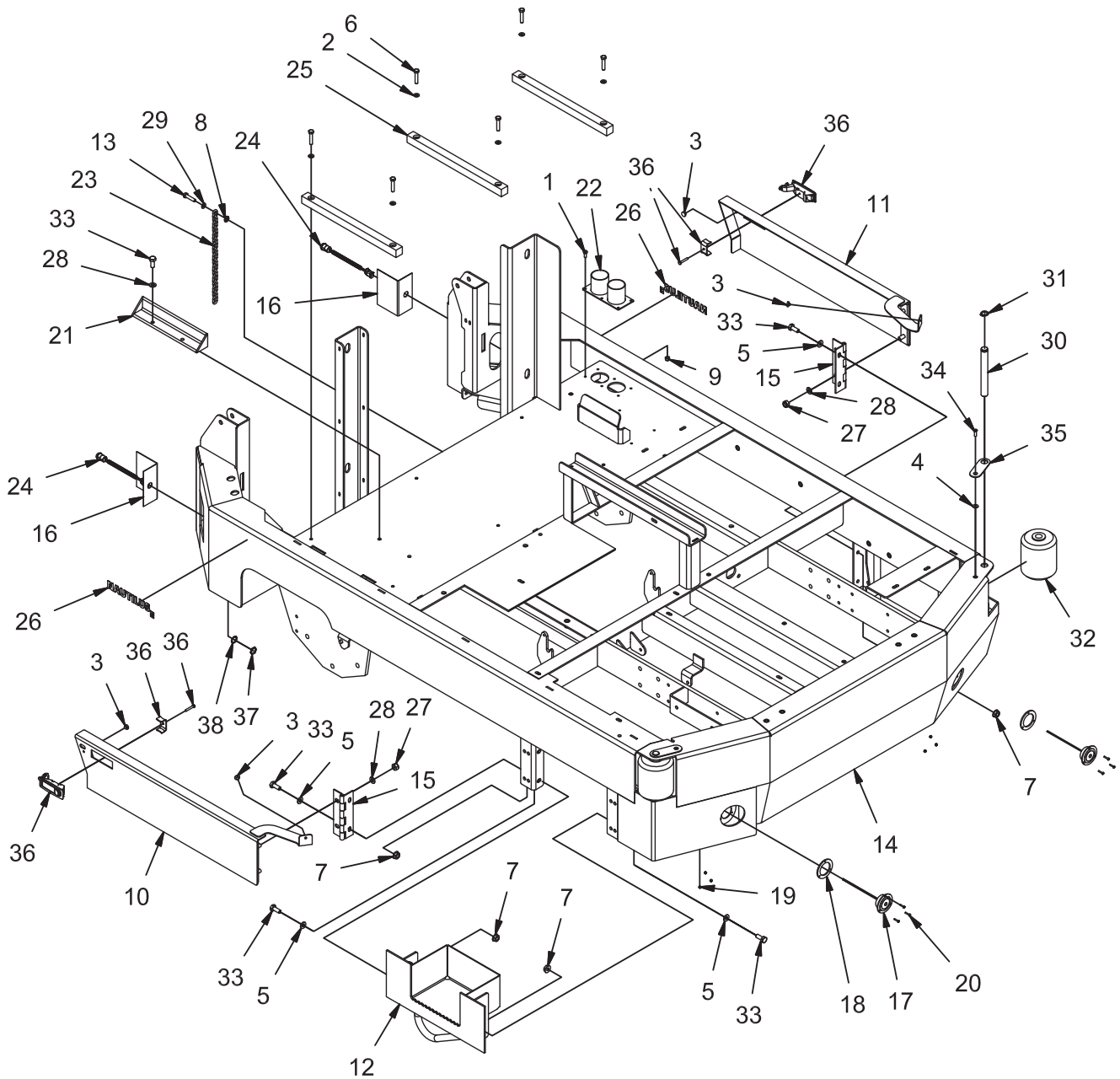
REV D



**CONSOLE GROUP, CYLINDRICAL (714748)**

Parts List 714748			
ITEM	PART NUMBER	QTY	DESCRIPTION
1	11038072	2	SCR-HH M6-1.0 X 16 ZP CLASS 8.8
2	12040044	2	NUT, M6-1.00 ESN
3	12310033	2	WASHER, M6
4	3400045	2	SCR-PHMS 8-32X0.62 ZP SLOT HEAD
5	3400082	2	NUT, FIBER INSERT #8-32
6	3400103	2	WASHER-LOCK 1/4 SPLIT ZP
7	3400233	2	WASHER-FENDER 5/16 X 1.0 ZP
8	3400384	7	WASHER, 5/16 BELLEVILLE
9	3400385	2	WASHER, 3/8, BELLEVILLE
10	600125	1	CATCH, PARKING BRAKE
11	600934	7	NUT, M8-1.25 FLNG
12	600936	2	NUT, M10-1.50 FLNG
13	711563	2	NUT-WING 1/4-20 NYLON
14	713001	2	SCR-HH 1/4-20 X .62 PLAIN GR 5
15	714574	1	WELDMENT, CONSOLE
16	714623-3	1	MOTOR CONTROLLER
17	717024	7	BOLT, M8-1.25 X 20 HH
18	718198	1	PAD, FLOOR
19	718201	1	SEAL, CONTROLLER
20	718202	1	COVER, PANEL
21	718403	1	PLATE, GUARD, STEERING
22	730536	1	SEAL, BULB, 50.50 LG
23	730958	2	SCR-HH M10-1.50 X 25 SS
24	731234	2	STANDOFF, PANEL, 1/4-20X 2.00
25	REF.	-	FRAME

FRAME GROUP, CYLINDRICAL (714750)

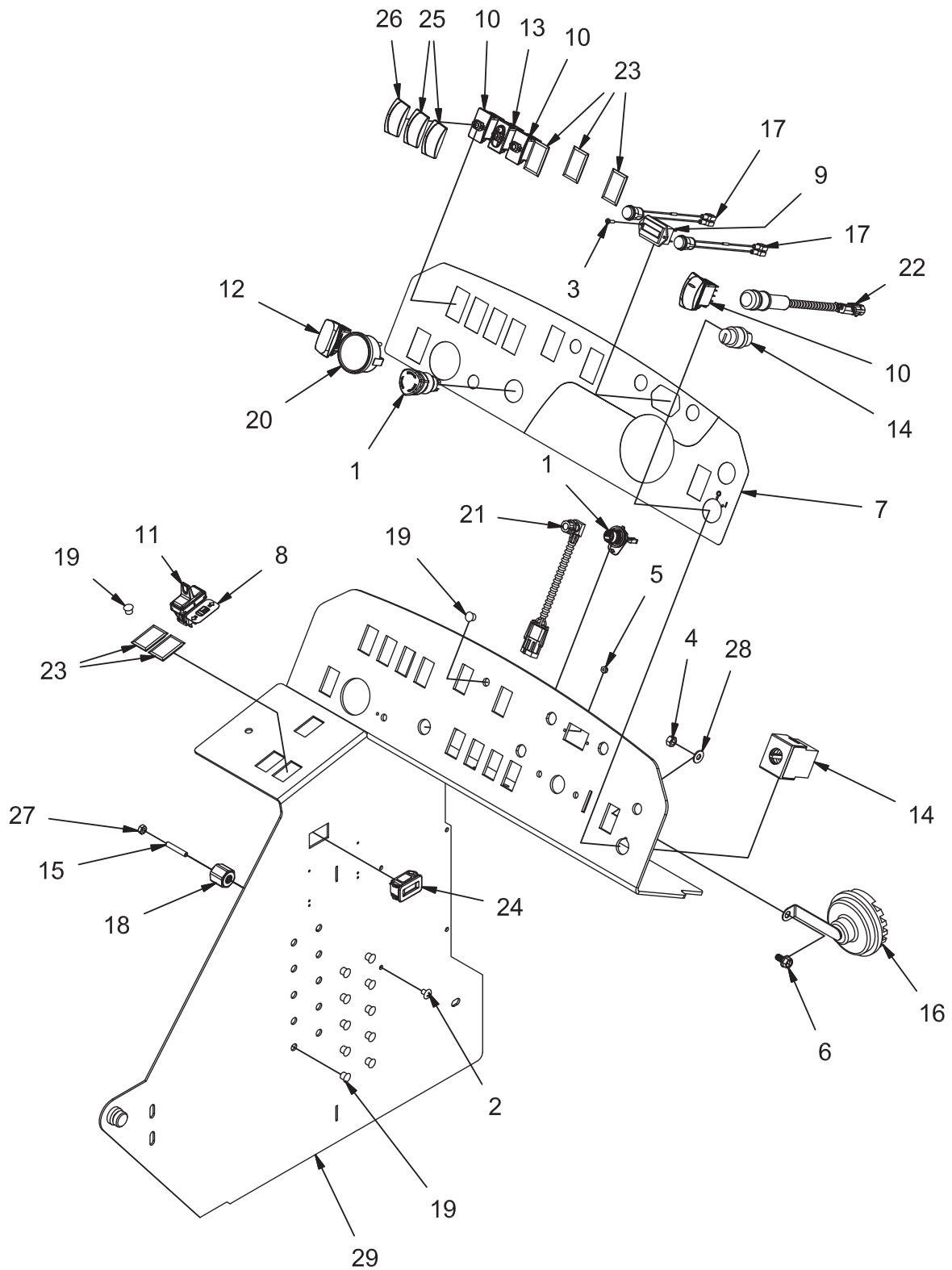


REV H

**FRAME GROUP, CYLINDRICAL (714750)**

Parts List 714750			
ITEM	PART NUMBER	QTY	DESCRIPTION
1	11038072	6	SCR-HH M6-1.0 X 16 ZP CLASS 8.8
2	12310041	6	WASHER-FLAT M8.4 X 16 X 1.6 ZP
3	3300526	4	BUMPER, .25 ID .125 T
4	3400089	2	WASHER, 1/4 .625 X .281 X .063
5	3400385	8	WASHER, 3/8, BELLEVILLE
6	600919	6	BOLT, M8-1.25 X 40 HH
7	600936	8	NUT, M10-1.50 FLNG
8	711565	1	LOCK WASHER, M8 EXT STAR
9	717018	6	NUT-NYLOC M6 X 1.0 ZP
10	718076	1	WELDMENT, RH SCRUB DOOR
11	718077	1	WELDMENT, LH SCRUB DOOR
12	718081	1	WELDMENT, STEP
13	718113	1	SCR-HH M8-1.25 X 35 SS
14	718200-1	1	ASSEMBLY, FRAME, CYLINDRICAL
15	718217	2	HINGE, SH DOOR
16	718218	2	SHIELD, TAIL LIGHT
17	718252-1	2	LIGHT ASSY, LED, 36VDC
18	718253	2	GASKET, LIGHT
19	718254	6	NUT M3-0.5 ZP NYLOC
20	718255	6	SCR-PHMS M3-0.5 X 16 ZP
21	718384	1	WELDMENT, BRACKET, BATTERY
22	718390	1	WELDMENT, EXHAUST MANIFOLD
23	718422	1	CHAIN-GROUNDING - 1/0 ZP 17 LINKS
24	719440-1	2	TAIL LIGHT ASSY, INDICATOR, LED
25	719484	3	RUNNER
26	719530	2	DECAL, SCRUBMASTER
27	730339	4	NUT, M10-1.50 ESN SS
28	730344	6	WASHER, M10 SS
29	730609	1	WASHER, M8 SS
30	730876	2	PIN, ROLLER
31	730877	2	RETAINING RING, EXT, .750
32	730915	2	ROLLER, SSB
33	730958	10	SCR-HH M10-1.50 X 25 SS
34	731382	2	SCREW, M6-1.00 X 20 FLAT SHCS ZP
35	731388	2	RETAINER, ROLLER PIN
36	731433	2	LATCH
37	PART OF 719440-1	2	NUT
38	PART OF 719440-1	2	LOCK WASHER

INSTRUMENT PANEL GROUP, CYLINDRICAL (714751)

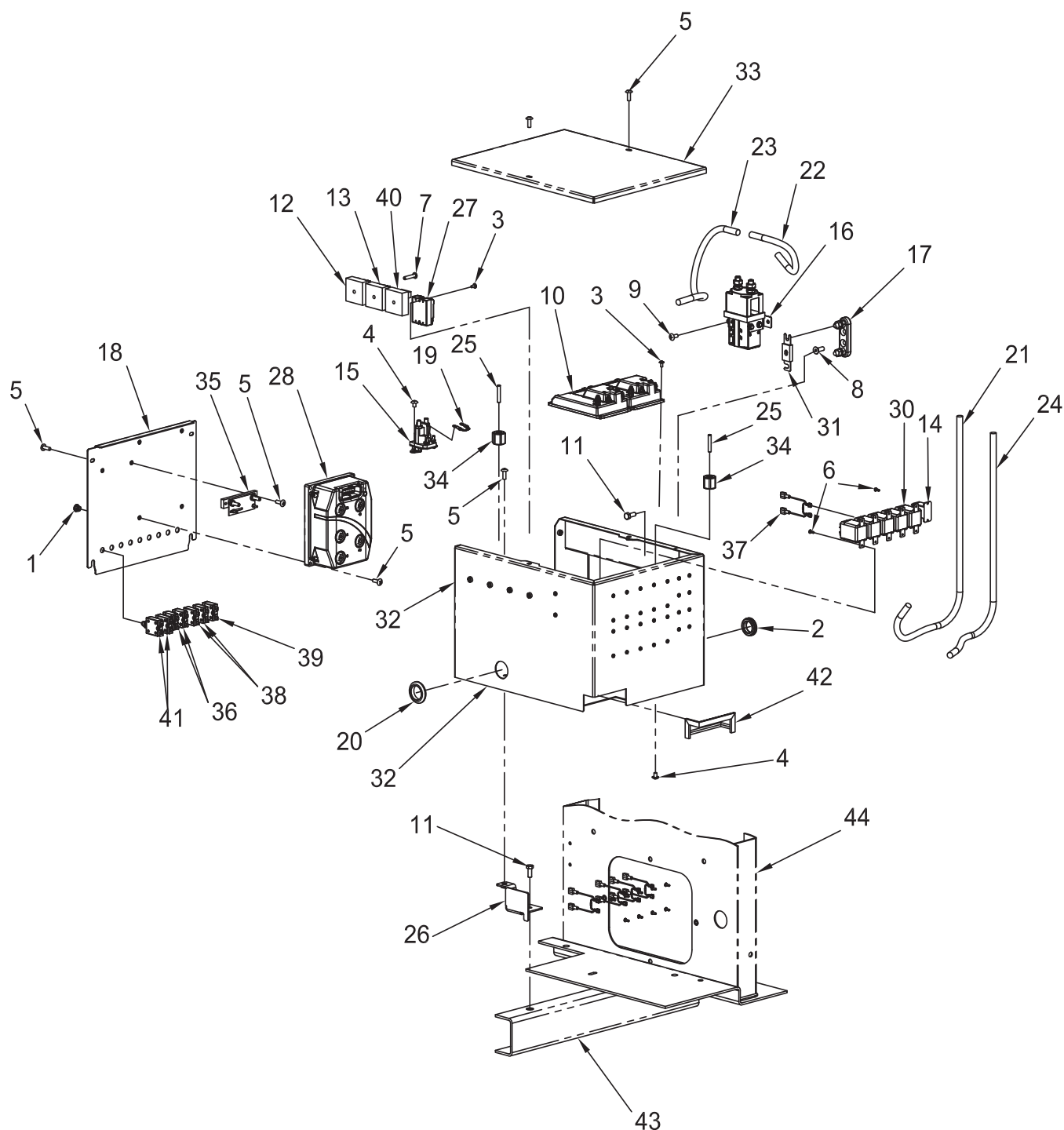


REV E

**INSTRUMENT PANEL GROUP, CYLINDRICAL (714751)**

Parts List 714751			
ITEM	QTY	PART NUMBER	DESCRIPTION
1	1	246123	EMERGENCY STOP
2	1	710177	SCR-THMS 1/4-20 X .37 ZP
3	2	710204	SCREW, #6-32 X .500 PAN HD ZP
4	1	711319	NUT-HEX 5/16-18 ZP
5	2	711371	NUT, #6-32 ESN ZP
6	1	712042	SCR-HH 5/16-18 X.62 ZP GR 5 FLANGE
7	1	718184	DECAL, CYL INST PANEL
8	1	718337	DECAL, FWD-REV
9	1	718349	BATTERY GAUGE
10	3	718357	SWITCH, DPDT ON-NONE-ON
11	1	718358	SWITCH, DPDT ON-NONE-ON
12	1	718359	SWITCH, DPDT (ON)-OFF-(ON)
13	1	718361	SWITCH, ON OFF
14	1	718375-1	KEYSWITCH ASSY, ON/OFF
15	1	719116	THREADED ROD .25-20X1.5
16	1	719164	DISC HORN, 36V
17	2	719440-2	LIGHT ASSY, INDICATOR, RED LED
18	1	740132	INSULATOR STANDOFF - STORM 1125-A1
19	12	742749	PLUG, BLACK PLASTIC
20	1	743049	AMMETER
21	1	748537-20	POT ASSY, SOLUTION CONTROL
22	1	749073	SWITCH-HORN W/HARNESS
23	5	3323529	COVER
24	1	3336094	HOUR METER
25	2	3344038	SWITCH CAP
26	1	3344039	SWITCH CAP. GREEN
27	1	3400071	NUT, HEX, 1/4-20 ZP
28	1	3400088	WASHER, 5/16, .687 X .344 X .062
29	1	REF	WELDMENT, CONSOLE

ELECTRICAL BOX GROUP, CYLINDRICAL (719168)



REV E

**ELECTRICAL BOX GROUP, CYLINDRICAL (719168)**

ITEM	PART NUMBER	QTY.	DESCRIPTION
1	172407	2	PLUG, 7/16 HOLE COVER
2	220327	1	GROMMET 1.25 X 1 X .125
3	710025	10	SCR-THMS 8-32 X 3/8 SS
4	710177	4	SCR-THMS 1/4-20 X .37 ZP
5	710180	13	SCR-THMS 1/4-20 X .75 ZP
6	710203	12	SCR-PHMS 6-32 X .37 ZP
7	710383	3	SCR-RHMS 1/4-20 X 1.25 ZP
8	712006	2	SCR-FHSCS 5/16-18 X 5/8 SS
9	712565	2	SCR-THMS 1/4-20 X .62 SS
10	714623-1	2	MOTOR CONTROLLER
11	717024	3	SCR-HH M8-1.25 X 20 ZP GRADE 8.8
12	718346-2	1	TIMER, SQUEEGEE
13	718346-3	1	TIMER, VACUUM MOTOR
14	718350	1	RELAY, 36 VDC 15A
15	718353	1	CONTACTOR, 36VDC 100A
16	718364	1	CONTACTOR SPST
17	719094	1	FUSE BLOCK, W/STUDS
18	719101	1	WELDMENT, RIGHT PANEL
19	719106	1	DIODE ASY, IN4007 W/#10 RING
20	719109	1	GROMMET 1.25ID .06GRV 1.50D HOLE RBR
21	719112	1	CABLE - BATTERY POSITIVE
22	719113	1	CABLE - CONTACTOR TO FUSE
23	719114	1	CABLE - FUSE TO GROUND
24	719115	1	CABLE - BATTERY NEGATIVE
25	719116	2	THREADED ROD .25-20X1.5
26	719119	1	WELDMENT, SUPPORT BRACKET E-BOX
27	719129	1	3.5 – 32VDC CNTL, 100VDC 7A LOAD SSR
28	719138	1	DRIVE MOTOR CONTROLLER
29	719139	1	ELECTRICAL WIRES GROUP CYLINDRICAL (NOT SHOWN)
30	719181	5	RELAY, 36 VDC 15A
31	719419	1	FUSE, 300 AMP
32	719520	1	WELDMENT, ELECTRICAL BOX
33	719523	1	ELECTRICAL BOX COVER
34	740132	2	INSULATOR STANDOFF - STORM 1125-A1
35	740134-1	1	SHUNT W/O WIRES
36	740220	2	CIRCUIT BREAKER-20 AMP 2-TERMIN
37	740498	5	DIODE ASSY, IN4007 W/LEADS
38	741400	2	CIRCUIT BREAKER 10A
39	746006	1	CIRCUIT BREAKER 3A
40	748537	1	TIMER-RELAY 24V, 10 SEC, 10A CONTACT
41	748904	2	CIRCUIT BREAKER 40A
42	3500118	1	GROMMET STRIP
43	REF	1	ASSEMBLY, FRAME, CYLINDRICAL
44	REF	1	ASSEMBLY, SEAT BACK PANEL

## CYLINDRICAL BRUSHES

ITEM	QTY	PART NUMBER
718292	2	BRUSH-CYL 45" BLACK POLY
718293	2	BRUSH-CYL 45" 70/46 GRIT ORANGE
718294	2	BRUSH-CYL 45" 50/80 GRIT BLACK
718295	2	BRUSH-CYL 45" NYLON
719533	2	BRUSH-CYL 45" 180 GRIT (STANDARD)
719534	2	BRUSH-CYL 45" BLACK POLY, SOFT

## OPTIONAL SIDE BRUSH

ITEM	QTY	PART NUMBER
3313125	1	BRUSH-SCRUB 14" 80S/S BLACK
3313127	1	BRUSH-SCRUB 14" 46 HDS PURPLE
3313135	1	BRUSH-SCRUB 14" PLASTIC NYLON BLACK
3315386	1	BRUSH-SCRUB 14"120AGS RED
3315494	1	BRUSH-SCRUB 14" PAD HLDR
3332544	1	BRUSH-SCRUB 14" MID GRIT BLUE

## DISC BROOM/BRUSHES

MAIN BROOM		
ITEM	QTY	PART NUMBER
718297	1	BROOM 45" NYLON
719192	1	BROOM 45" POLY, BLACK/RED (STANDARD)

CURB BROOMS		
ITEM	QTY	PART NUMBER
718053	2	CURB BROOM, POLY, 19" (STANDARD)

SCRUB BRUSHES		
ITEM	QTY	PART NUMBER
3313125	1	BRUSH-SCRUB 14" 80S/S BLACK
3313127	1	BRUSH-SCRUB 14" 46 HDS PURPLE
3313135	1	BRUSH-SCRUB 14" PLASTIC NYLON BLACK
3315386	1	BRUSH-SCRUB 14"120AGS RED
3315494	1	BRUSH-SCRUB 14" PAD HLDR
3332544	1	BRUSH-SCRUB 14" MID GRIT BLUE (STANDARD)



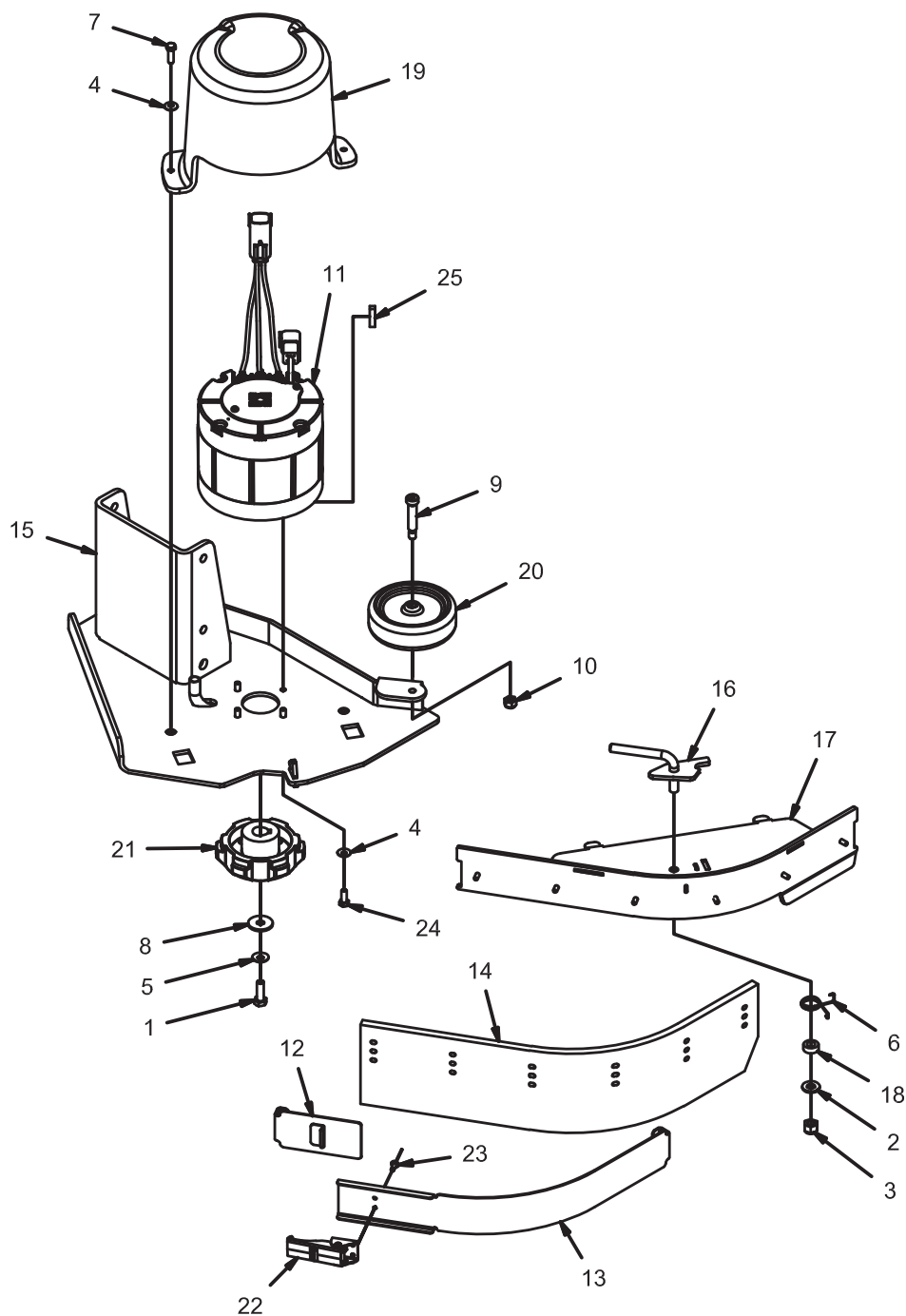
## BATTERIES AND CHARGERS

BATTERY / CHARGER	
ITEM	PART NUMBER
956760	BATTERY, INDUSTRIAL 36V- 750 AH EXIDE (STANDARD)
957707	CHARGER, THREE PHASE, 208/240/480 (STANDARD)
719186	OPT-NO BATTERY OR CHARGER
719187	OPT-840AH BATTERY UPGRADE
719188	OPT-840AH BATTERY/OPPORTUNITY CHARGER UPGRADE
719189	OPT-LITHIUM BATTERY/OPPORTUNITY CHARGER UPGRADE

**OPTIONS - PARTS BREAKDOWN**

**OPTION - SIDE SCRUB GROUP, CYLINDRICAL (718365)**

**SIDE SCRUB AND SQUEEGEE GROUP (714729)**

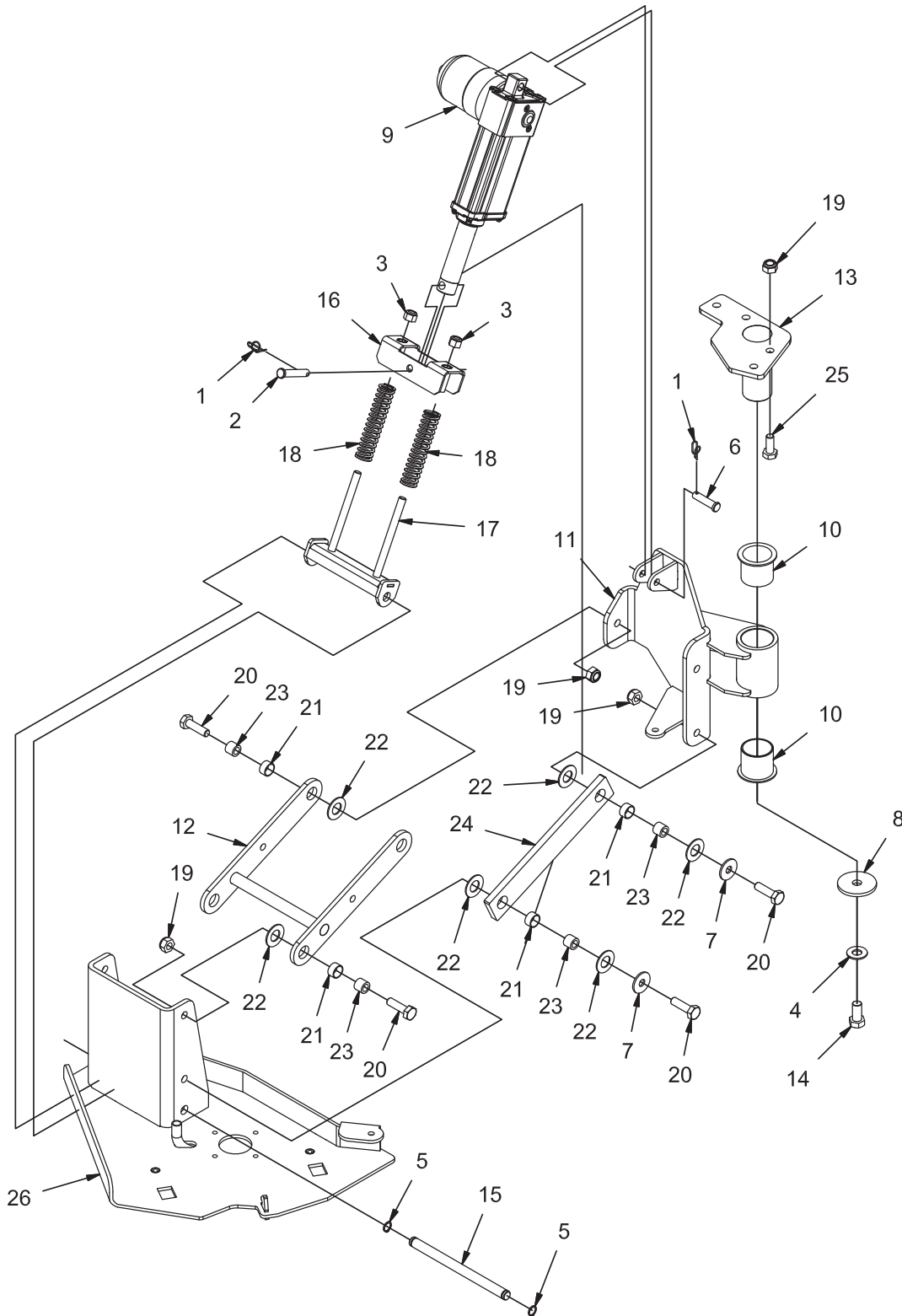


REV D

**SIDE SCRUB AND SQUEEGEE GROUP (714729)**

Parts List - 714729			
ITEM	PART NUMBER	QTY	DESCRIPTION
1	11039567	1	BOLT, M8-1.25 X 25 HH SS
2	3400087	1	WASHER, 3/8
3	3400340	1	NUT, 3/8-16 ESN SS
4	3400383	6	WASHER, 1/4 BELLEVILLE
5	3400384	1	WASHER, 5/16 BELLEVILLE
6	600809	1	SPRING, TORSION
7	600913	2	BOLT, M6-1.00 X 20 HH SS
8	711855	1	WSR-FLT.37X1.12X1.0 STL Z HARD
9	712091	1	BLT-SHOULDER 3/8 X 1.50 LG ZP
10	712683	1	NUT, 5/16-18 ESN SS
11	718002	1	MOTOR, GEAR, BRUSHLESS, 36 VDC
12	718054	1	WELDMENT, SSB REAR RET
13	718055	1	SSB SQU RETAINER
14	718056	1	SSB SQU BLADE
15	718060-1	1	ASSEMBLY, SSB BASE
16	718061	1	WELDMENT, SSB LATCH
17	718062	1	WELDMENT, SSB SQU MNT
18	718069	1	SPACER, .386 B .700 OD .280 T
19	718072-1	1	COVER, SSB MOTOR
20	718345	1	4 INCH X 1.25 WHEEL
21	719542	1	DRIVER, SCRUB BRUSH
22	730652	1	LATCH, UNDER CENTER
23	730654	2	RIVET,BLIND, .156 D X .062 - .125 GRIP SS
24	730934	4	BOLT, M6-1.00 X 16 HH SS
25	833621	1	KEY-1/4 X 1/4 X 1

SIDE SCRUB LIFT GROUP, CYLINDRICAL (714730)

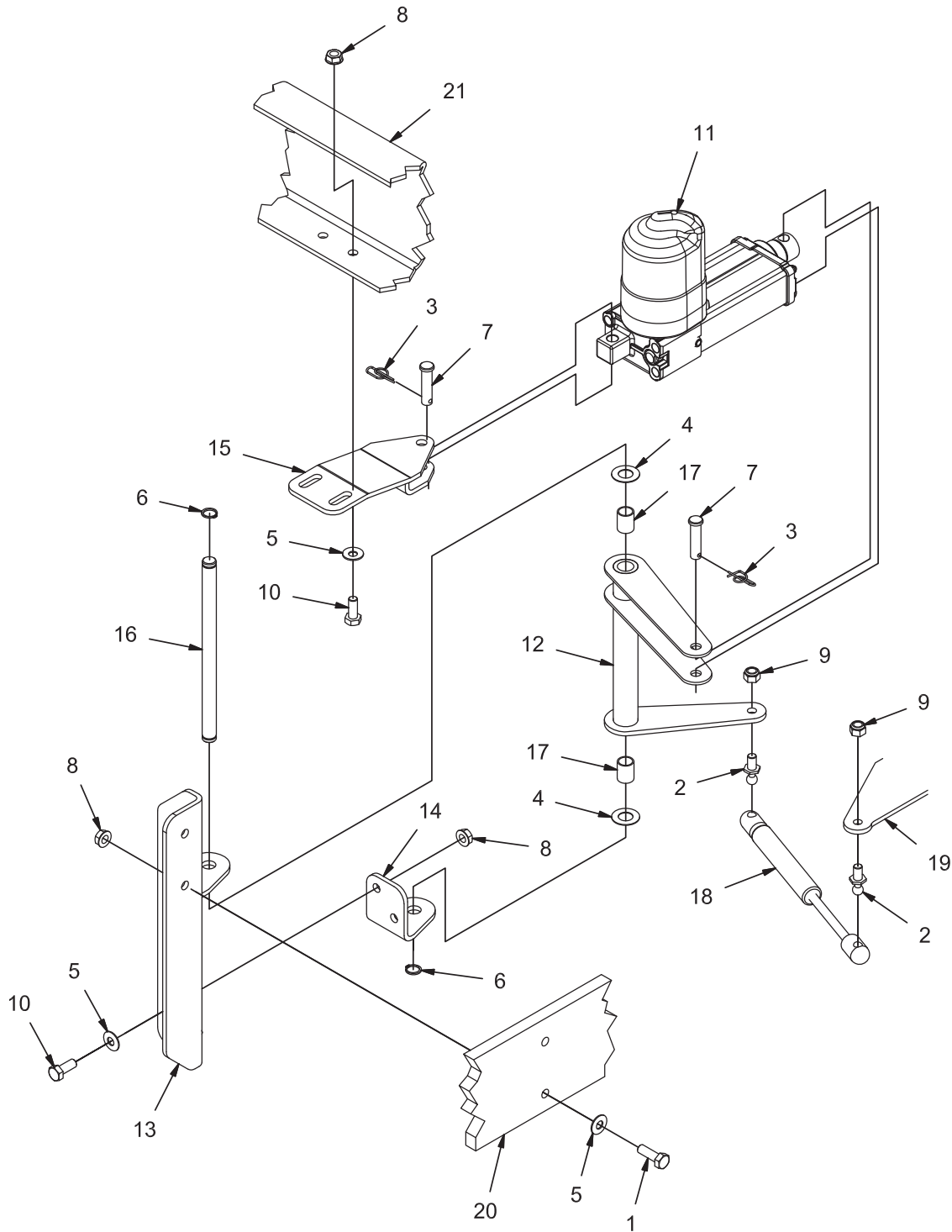


REV D

**SIDE SCRUB LIFT GROUP, CYLINDRICAL (714730)**

Parts List - 714730			
ITEM	PART NUMBER	QTY	DESCRIPTION
1	3400125	2	RUE-RING, .375
2	3400266	1	PIN, CLEVIS, 3/8 X 2.00
3	3400340	2	NUT, 3/8-16 ESN SS
4	3400387	1	WASHER, .50 CONICAL
5	600569	2	RETAINING RING, EXT .50 HD
6	600573	1	PIN, CLEVIS, 3/8 X 1.50
7	717040	2	WASHER, FENDER, .413 B 1.18 OD .098 T SS
8	718015	1	SPACER, .484 B 2.00 OD .179 T
9	718047-1	1	ACTUATOR, 36VDC 190 LBS 2.88 STK
10	718057	2	BUSHING, FLNG, 1.500 B 1.656 OD 1.50 T
11	718058	1	WELDMENT, SSB PIVOT
12	718059	1	WELDMENT, SSB ARM
13	718148	1	WELDMENT, SSB PIVOT
14	718150	1	SCR-HH M12-1.75 X 25 FULL THRD SS
15	718321	1	PIN, .50 x 6.88
16	719553	1	WELDMENT, SPRING CAP
17	719555	1	WELDMENT, SPRING BASE
18	719557	2	SPRING, COMP
19	730339	10	NUT, M10-1.50 ESN SS
20	730345	6	BOLT, M10-1.50 X 35 HH SS
21	730646	6	BEARING, DU, .63 B .72 OD .38 T
22	730647	8	WASHER, THRUST, .66 B 1.25 OD .06 T
23	730648	6	SPACER, .406 B .624 OD .515 T SS
24	730926-1	1	SSB LINK
25	730958	4	SCR-HH M10-1.50 X 25 SS
26	REF.	-	SSB BASE

**SIDE SCRUB SHIFT GROUP (714731)**

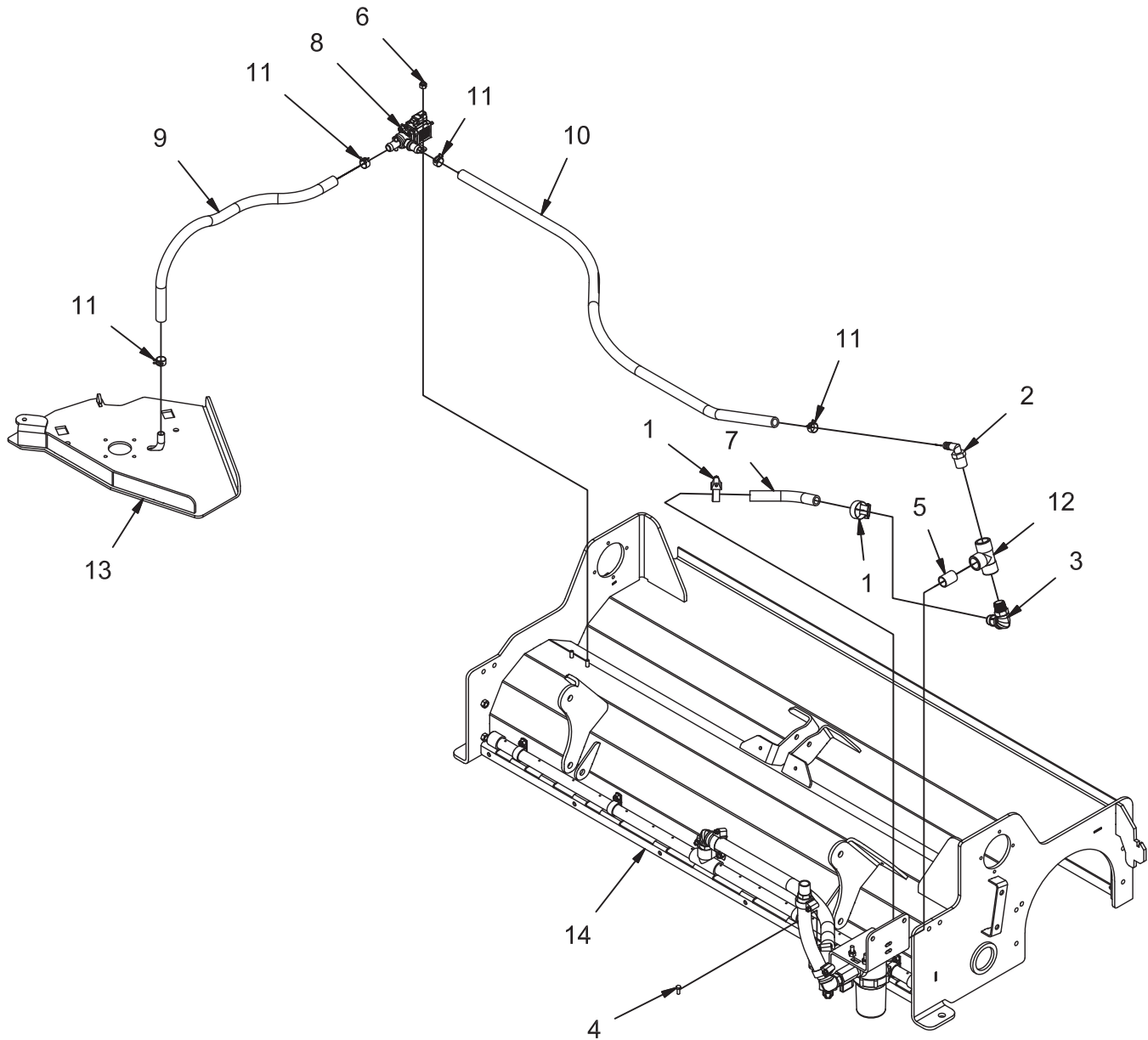


**REV C**

**SIDE SCRUB SHIFT GROUP (714731)**

Parts List - 714731			
ITEM	PART NUMBER	QTY	DESCRIPTION
1	11039567	2	BOLT, M8-1.25 X 25 HH SS
2	3300376	2	STUD, 10MM BALL
3	3400125	2	RUE-RING, .375
4	3400178	2	WASHER, THRUST, .53 B 1.00 OD .03 T
5	3400384	6	WASHER, 5/16 BELLEVILLE
6	600569	2	RETAINING RING, EXT .50 HD
7	600573	2	PIN, CLEVIS, 3/8 X 1.50
8	600934	6	NUT, M8-1.25 FLNG
9	712683	2	NUT, 5/16-18 ESN SS
10	717030	4	SCR-HH M8-1.25 X 20 SS
11	718047-1	1	ACTUATOR, 36VDC 190 LBS 2.88 STK
12	718063	1	WELDMENT, BELLCRANK
13	718064	1	WELDMENT, BELLCRANK MNT
14	718065	1	BRACKET, PIVOT
15	718066	1	WELDMENT, SWING ACT MNT
16	718074	1	SHAFT, PIVOT
17	730752	2	FIBERGLIDE BEARING, .500 ID .750 T
18	730902	1	GAS STRUT, 8.77 EXT, 3.00 STK, 200N
19	REF.	-	SSB PIVOT
20	REF.	-	FRAME
21	REF.	-	FRAME

SIDE SCRUB SOLUTION CONT GROUP - CYL (714744)



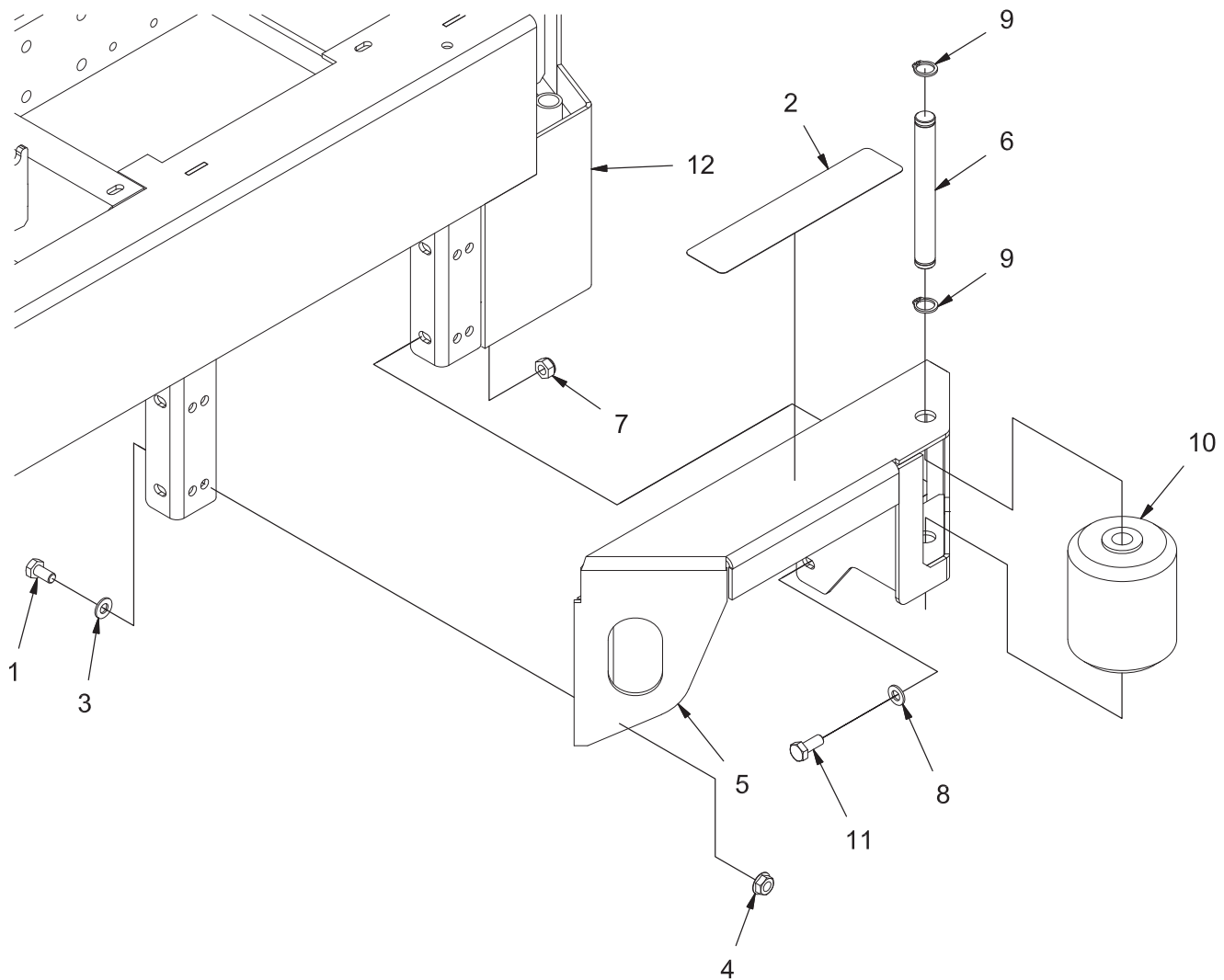
REV B



**SIDE SCRUB SOLUTION CONT GROUP - CYL (714744)**

Parts List 714744			
ITEM	PART NUMBER	QTY	DESCRIPTION
1	3302193	6	CLAMP, HOSE, .75 - 1.25
2	3315535	1	FITTING, PLASTIC, 90, .50 NPT .50 BARB
3	3315536	2	FTG, 1/2 MPT TO 3/4 BARB
4	3400315	2	SCR-HH 10-32 X .50 ZP SERR FLANGE
5	383465	1	1/2 NPT CLOSE PIPE NIPPLE, BRASS
6	600933	8	NUT, M6-1.00 ESN SS
7	718169	1	TUBING, .50 ID REIN VINYL
8	718175	1	VALVE, SOLUTION CONTROL. 36 VDC
9	718177	1	TUBING, .50 ID RIEN VINYL
10	718338	1	TUBING, .50 ID RIEN VINYL
11	730962	4	CLAMP, WIRE HOSE
12	730966	1	FITTING, PVC TEE, FEMALE 1/2 NPT
13	REF.	-	SIDE SCRUB BRUSH BASE
14	REF.	-	SCRUB HEAD

**SIDE SCRUB GUARD GROUP - CYLINDRICAL (714769)**

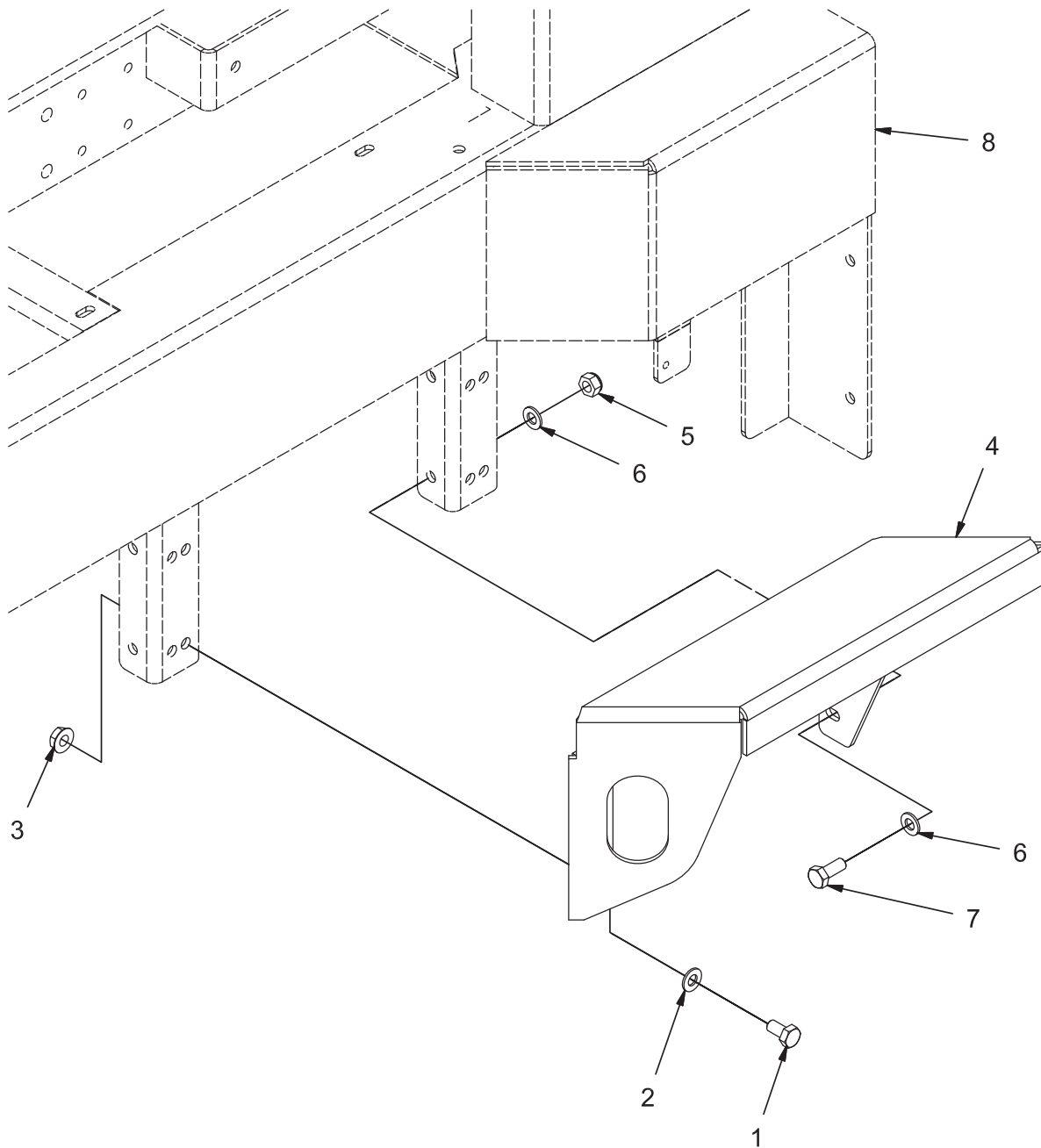


**REV C**

**SIDE SCRUB GUARD GROUP - CYLINDRICAL (714769)**

Parts List 714769			
ITEM	PART NUMBER	QTY	DESCRIPTION
1	11038353	2	BOLT, M10-1.50 X 20 HH
2	3335609	1	PAD, STEP
3	3400385	2	WASHER, 3/8, BELLEVILLE
4	600936	2	NUT, M10-1.50 FLNG
5	718147	1	WELDMENT, SSB STEP
6	718320	1	PIN, .75 X 6.63
7	730339	2	NUT, M10-1.50 ESN SS
8	730344	2	WASHER, M10 SS
9	730877	2	RETAINING RING, EXT, .750
10	730915	1	ROLLER, SSB
11	730958	2	SCR-HH M10-1.50 X 25 SS
12	REF.	-	FRAME

OPTION - SIDE SCRUB GROUP, DISC (718366)  
SIDE SCRUB GUARD GROUP (714300)

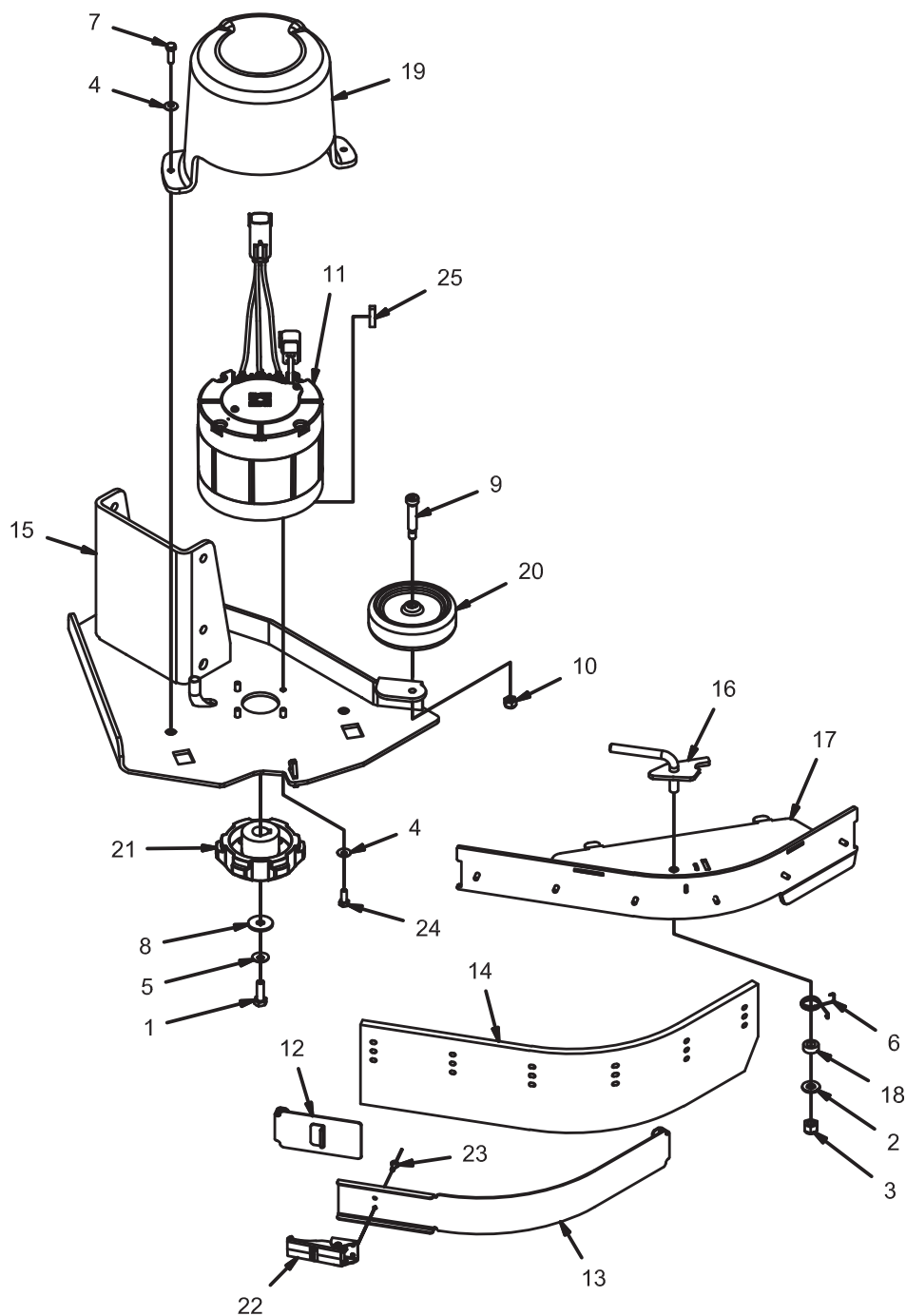


REV A

**SIDE SCRUB GUARD GROUP (714300)**

Parts List 714300			
ITEM	PART NUMBER	QTY	DESCRIPTION
1	11038353	2	BOLT, M10-1.50 X 20 HH
2	3400385	2	WASHER, 3/8, BELLEVILLE
3	600936	2	NUT, M10-1.50 FLNG
4	718082	1	WELDMENT, SSB STEP
5	730339	2	NUT, M10-1.50 ESN SS
6	730344	4	WASHER, M10 SS
7	730958	2	SCR-HH M10-1.50 X 25 SS
8	REF.	-	FRAME

SIDE SCRUB AND SQUEEGEE GROUP (714729)

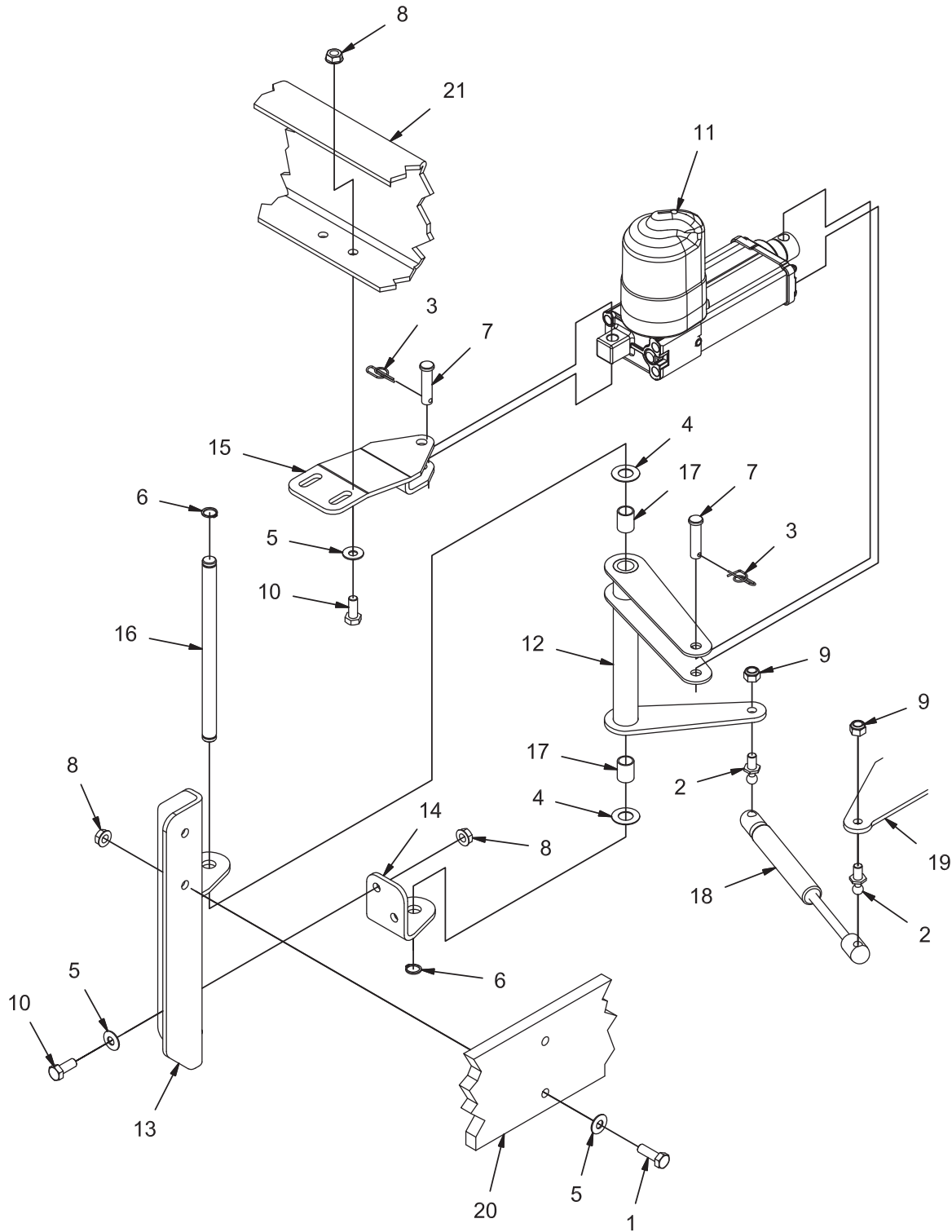


REV D

**SIDE SCRUB AND SQUEEGEE GROUP (714729)**

Parts List - 714729			
ITEM	PART NUMBER	QTY	DESCRIPTION
1	11039567	1	BOLT, M8-1.25 X 25 HH SS
2	3400087	1	WASHER, 3/8
3	3400340	1	NUT, 3/8-16 ESN SS
4	3400383	6	WASHER, 1/4 BELLEVILLE
5	3400384	1	WASHER, 5/16 BELLEVILLE
6	600809	1	SPRING, TORSION
7	600913	2	BOLT, M6-1.00 X 20 HH SS
8	711855	1	WSR-FLT.37X1.12X1.0 STL Z HARD
9	712091	1	BLT-SHOULDER 3/8 X 1.50 LG ZP
10	712683	1	NUT, 5/16-18 ESN SS
11	718002	1	MOTOR, GEAR, BRUSHLESS, 36 VDC
12	718054	1	WELDMENT, SSB REAR RET
13	718055	1	SSB SQU RETAINER
14	718056	1	SSB SQU BLADE
15	718060-1	1	ASSEMBLY, SSB BASE
16	718061	1	WELDMENT, SSB LATCH
17	718062	1	WELDMENT, SSB SQU MNT
18	718069	1	SPACER, .386 B .700 OD .280 T
19	718072-1	1	COVER, SSB MOTOR
20	718345	1	4 INCH X 1.25 WHEEL
21	719542	1	DRIVER, SCRUB BRUSH
22	730652	1	LATCH, UNDER CENTER
23	730654	2	RIVET,BLIND, .156 D X .062 - .125 GRIP SS
24	730934	4	BOLT, M6-1.00 X 16 HH SS
25	833621	1	KEY-1/4 X 1/4 X 1

**SIDE SCRUB SHIFT GROUP (714731)**



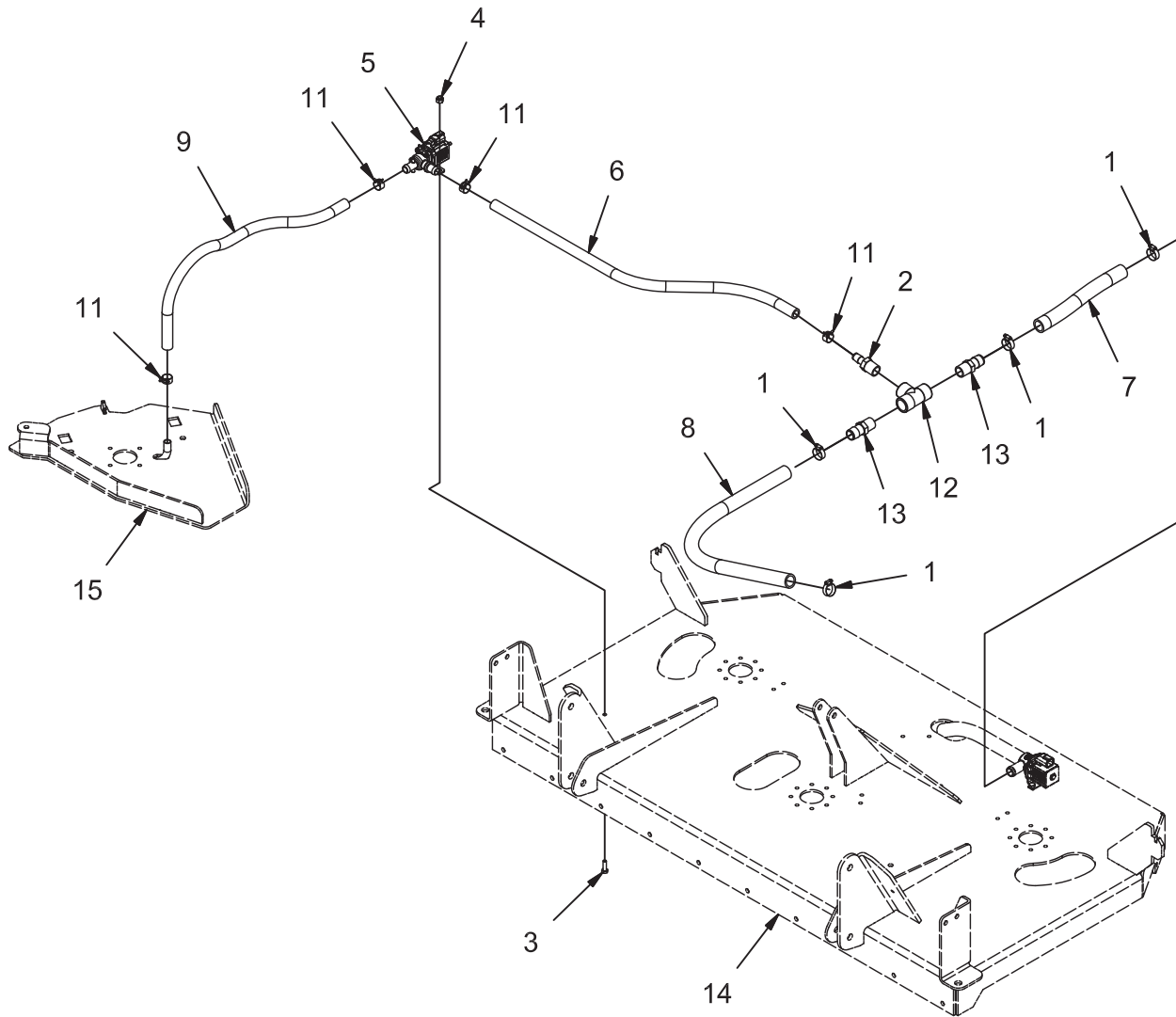
**REV C**



**SIDE SCRUB SHIFT GROUP (714731)**

Parts List - 714731			
ITEM	PART NUMBER	QTY	DESCRIPTION
1	11039567	2	BOLT, M8-1.25 X 25 HH SS
2	3300376	2	STUD, 10MM BALL
3	3400125	2	RUE-RING, .375
4	3400178	2	WASHER, THRUST, .53 B 1.00 OD .03 T
5	3400384	6	WASHER, 5/16 BELLEVILLE
6	600569	2	RETAINING RING, EXT .50 HD
7	600573	2	PIN, CLEVIS, 3/8 X 1.50
8	600934	6	NUT, M8-1.25 FLNG
9	712683	2	NUT, 5/16-18 ESN SS
10	717030	4	SCR-HH M8-1.25 X 20 SS
11	718047-1	1	ACTUATOR, 36VDC 190 LBS 2.88 STK
12	718063	1	WELDMENT, BELLCRANK
13	718064	1	WELDMENT, BELLCRANK MNT
14	718065	1	BRACKET, PIVOT
15	718066	1	WELDMENT, SWING ACT MNT
16	718074	1	SHAFT, PIVOT
17	730752	2	FIBERGLIDE BEARING, .500 ID .750 T
18	730902	1	GAS STRUT, 8.77 EXT, 3.00 STK, 200N
19	REF.	-	SSB PIVOT
20	REF.	-	FRAME
21	REF.	-	FRAME

SIDE SCRUB SOLUTION CONTROL GROUP (714745)

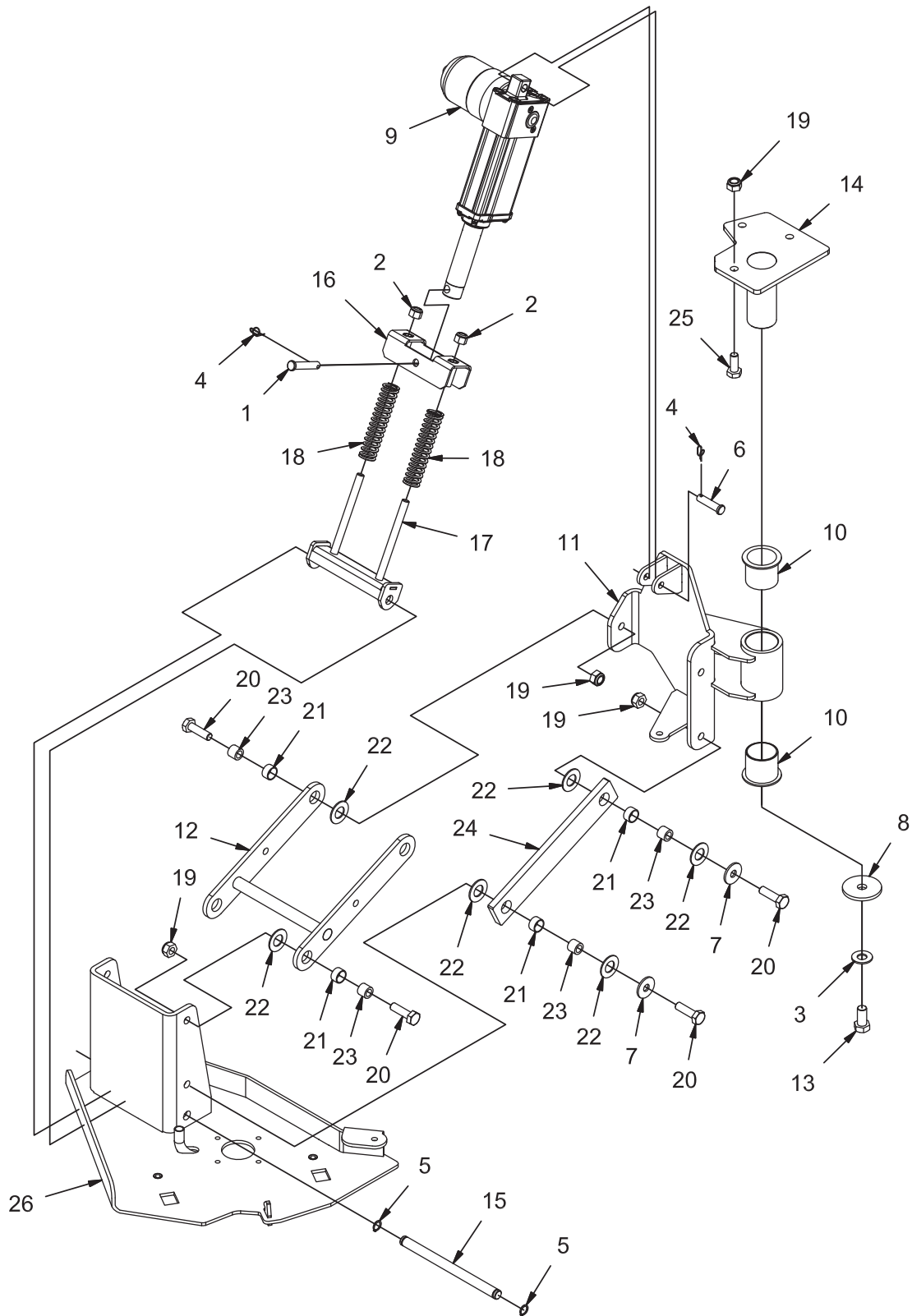


REV A

**SIDE SCRUB SOLUTION CONTROL GROUP (714745)**

Parts List 714745			
ITEM	PART NUMBER	QTY	DESCRIPTION
1	3300535	4	CLAMP, HOSE, .50
2	3315534	1	FITTING, PLASTIC, STR, .50 NPT .50 BARB
3	600913	2	BOLT, M6-1.00 X 20 HH SS
4	600933	4	NUT, M6-1.00 ESN SS
5	718175	1	VALVE, SOLUTION CONTROL. 36 VDC
6	718179	1	TUBING, .50 ID REIN VINYL
7	718182	1	TUBING, .75 ID REIN VINYL
8	718183	1	TUBING, .75 ID REIN VINYL
9	718325	1	TUBING, .50 ID REIN VINYL
10	730934	2	BOLT, M6-1.00 X 16 HH SS
11	730962	4	CLAMP, WIRE HOSE
12	730966	1	FITTING, PVC TEE, FEMALE 1/2 NPT
13	731554	2	FTG, STR, 1/2 NPT TO 3/4 BARB, PLASTIC
14	REF.	-	DISC SCRUB HEAD
15	REF.	-	SIDE SCRUB BASE

SIDE SCRUB LIFT GROUP (714768)

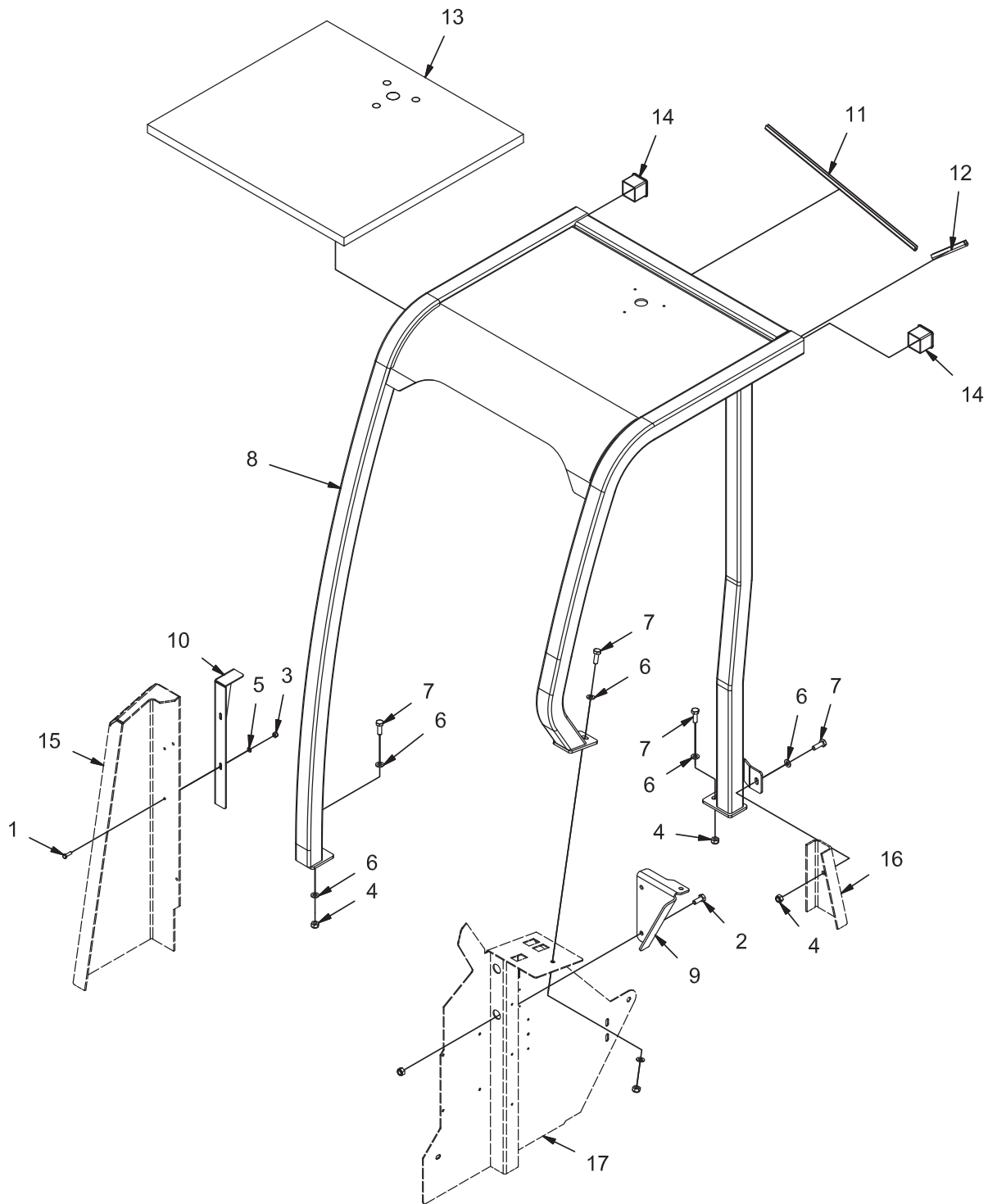


REV C

**SIDE SCRUB LIFT GROUP (714768)**

Parts List - 714768			
ITEM	PART NUMBER	QTY	DESCRIPTION
1	3400266	1	PIN, CLEVIS, 3/8 X 2.00
2	3400340	2	NUT, 3/8-16 ESN SS
3	3400387	1	WASHER, .50 CONICAL
4	3400742	2	RUE-RING, .25
5	600569	2	RETAINING RING, EXT .50 HD
6	600573	1	PIN, CLEVIS, 3/8 X 1.50
7	717040	2	WASHER, FENDER, .413 B 1.18 OD .098 T SS
8	718015	1	SPACER, .484 B 2.00 OD .179 T
9	718047-1	1	ACTUATOR, 36VDC 190 LBS 2.88 STK
10	718057	2	BUSHING, FLNG, 1.500 B 1.656 OD 1.50 T
11	718058	1	WELDMENT, SSB PIVOT
12	718059	1	WELDMENT, SSB ARM
13	718150	1	SCR-HH M12-1.75 X 25 FULL THRD SS
14	718319	1	WELDMENT, SSB PIVOT
15	718321	1	PIN, .50 x 6.88
16	719553	1	WELDMENT, SPRING CAP
17	719555	1	WELDMENT, SPRING BASE
18	719557	2	SPRING, COMP
19	730339	9	NUT, M10-1.50 ESN SS
20	730345	6	BOLT, M10-1.50 X 35 HH SS
21	730646	6	BEARING, DU, .63 B .72 OD .38 T
22	730647	8	WASHER, THRUST, .66 B 1.25 OD .06 T
23	730648	6	SPACER, .406 B .624 OD .515 T SS
24	730926-1	1	SSB LINK
25	730958	3	SCR-HH M10-1.50 X 25 SS
26	REF.	-	SSB BASE

OPTION - OVERHEAD GUARD GROUP (714301)

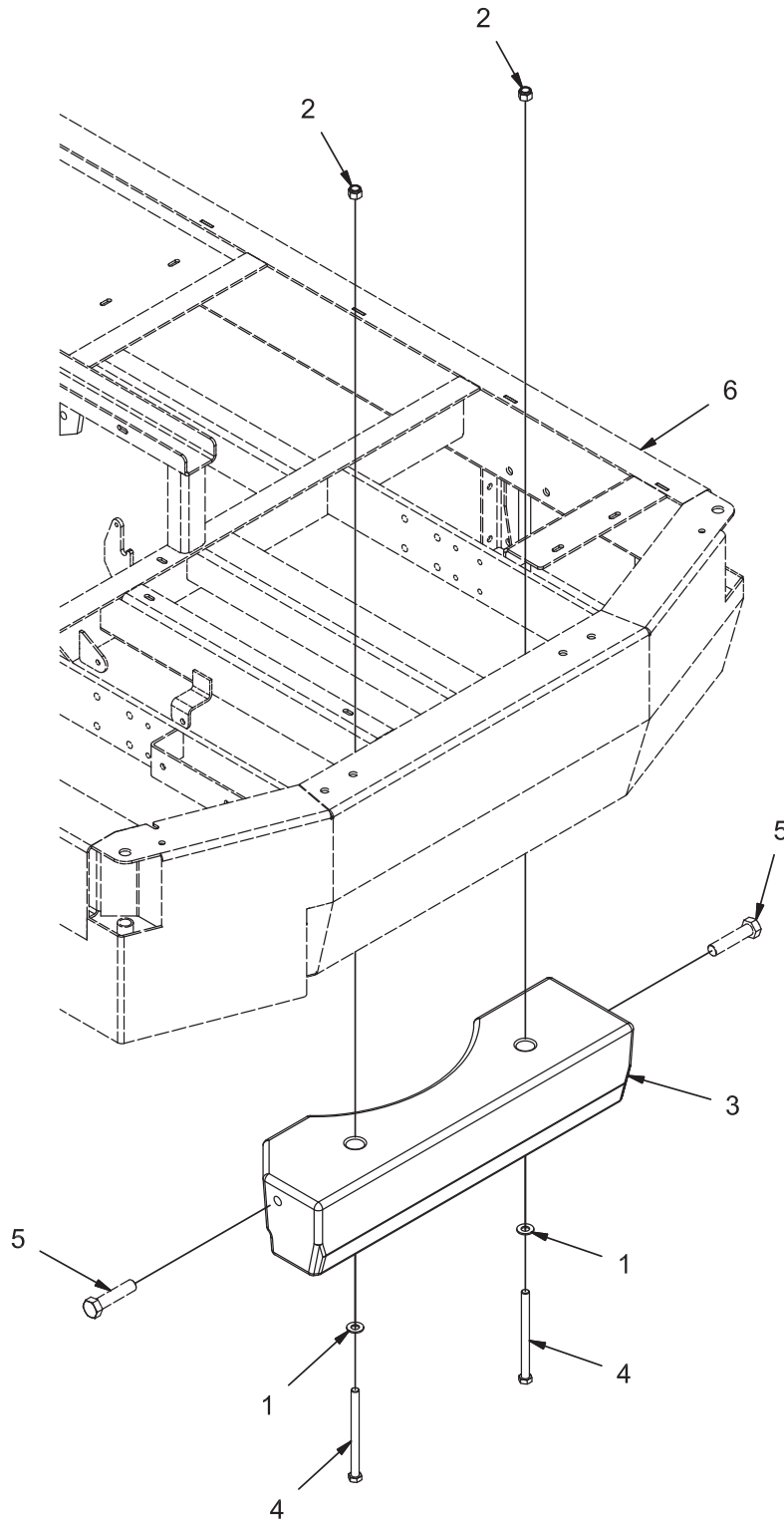


REV A

**OPTION - OVERHEAD GUARD GROUP (714301)**

Parts List 714301			
ITEM	PART NUMBER	QTY	DESCRIPTION
1	11038098	2	BOLT, M6-100 X 20 HH
2	11038346	2	BOLT, M10-1.50 X 25 HH
3	12040044	2	NUT, M6-1.00 ESN
4	12040069	6	NUT, M10-1.50 ESN
5	12310033	2	WASHER, M6
6	12310058	6	WASHER, M10
7	3401051	4	BOLT, M10-1.50 X 30 HH
8	718141	1	WELDMENT, OVERHEAD GUARD
9	718185	1	BRACKET, OHG
10	718284	1	WEDGE
11	718323	1	EDGING, 3/16 X 21.13
12	718324	1	EDGING, 3/16 X 6.00
13	718322	1	INSULATION, SOUND, OHG TOP
14	731028	2	PLUG, TUBING
15	REF.	-	FRAME
16	REF.	-	FRAME
17	REF.	-	CONSOLE

OPTION - COUNTERWEIGHT GROUP (714746)



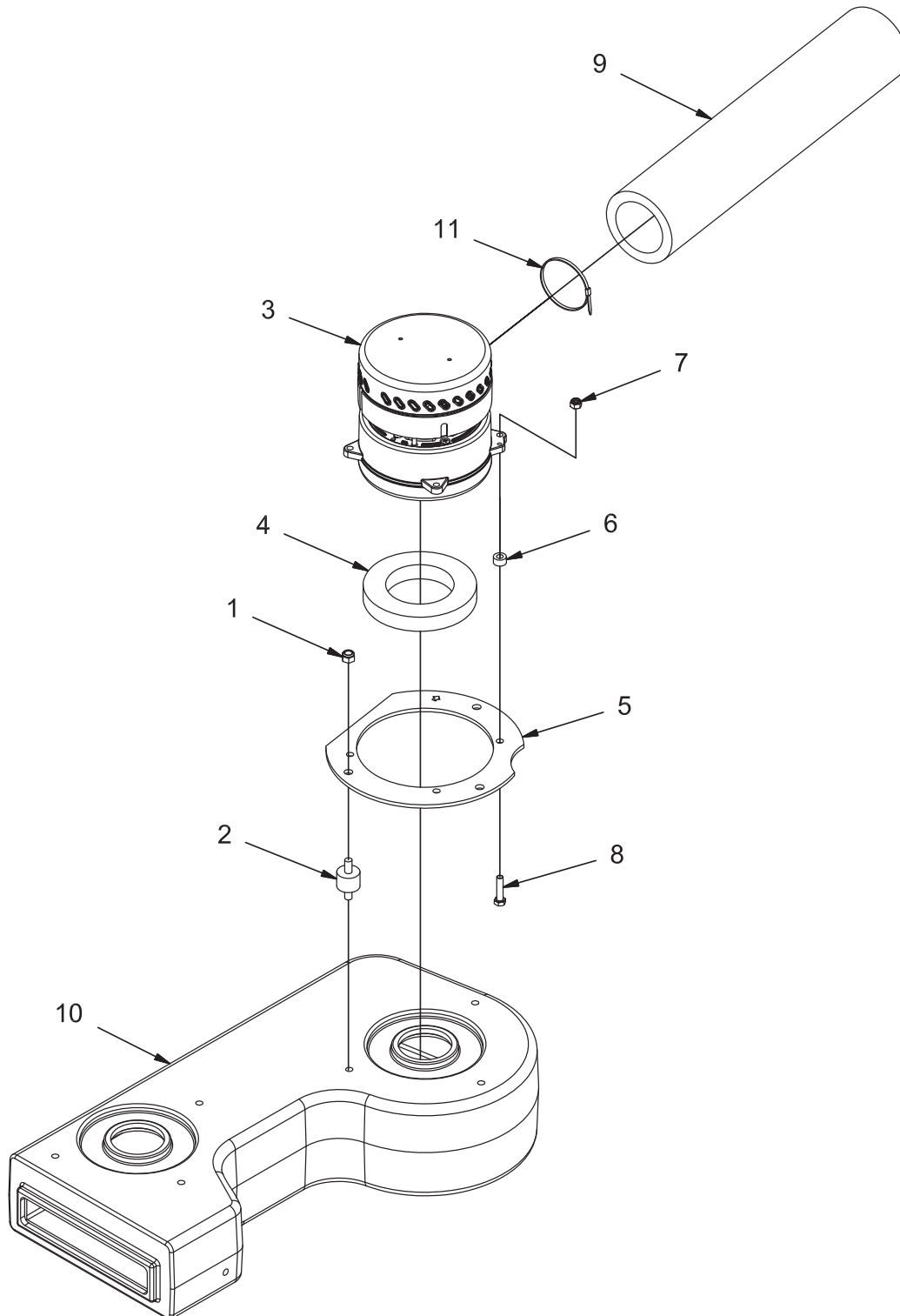
REV A



**OPTION - COUNTERWEIGHT GROUP (714746)**

Parts List 714746			
ITEM	PART NUMBER	QTY	DESCRIPTION
1	3400086	2	WASHER, 1/2, 1.063 X .531 X .094
2	711376	2	NUT, FIBER INSERT 1/2-13
3	718196-1	1	COUNTERWEIGHT, 250 LBS
4	718197	2	SCR-HH 1/2-13 X 6.50 HH ZP
5	600932	2	BOLT, 3/4-10 X 3.25 HH FOR INSTALLTION STRAPS. REMOVE AFTER INSTALLTION.
6	REF.	-	FRAME

OPTION - DUAL HOPPER VAC MOTOR GROUP (714756)

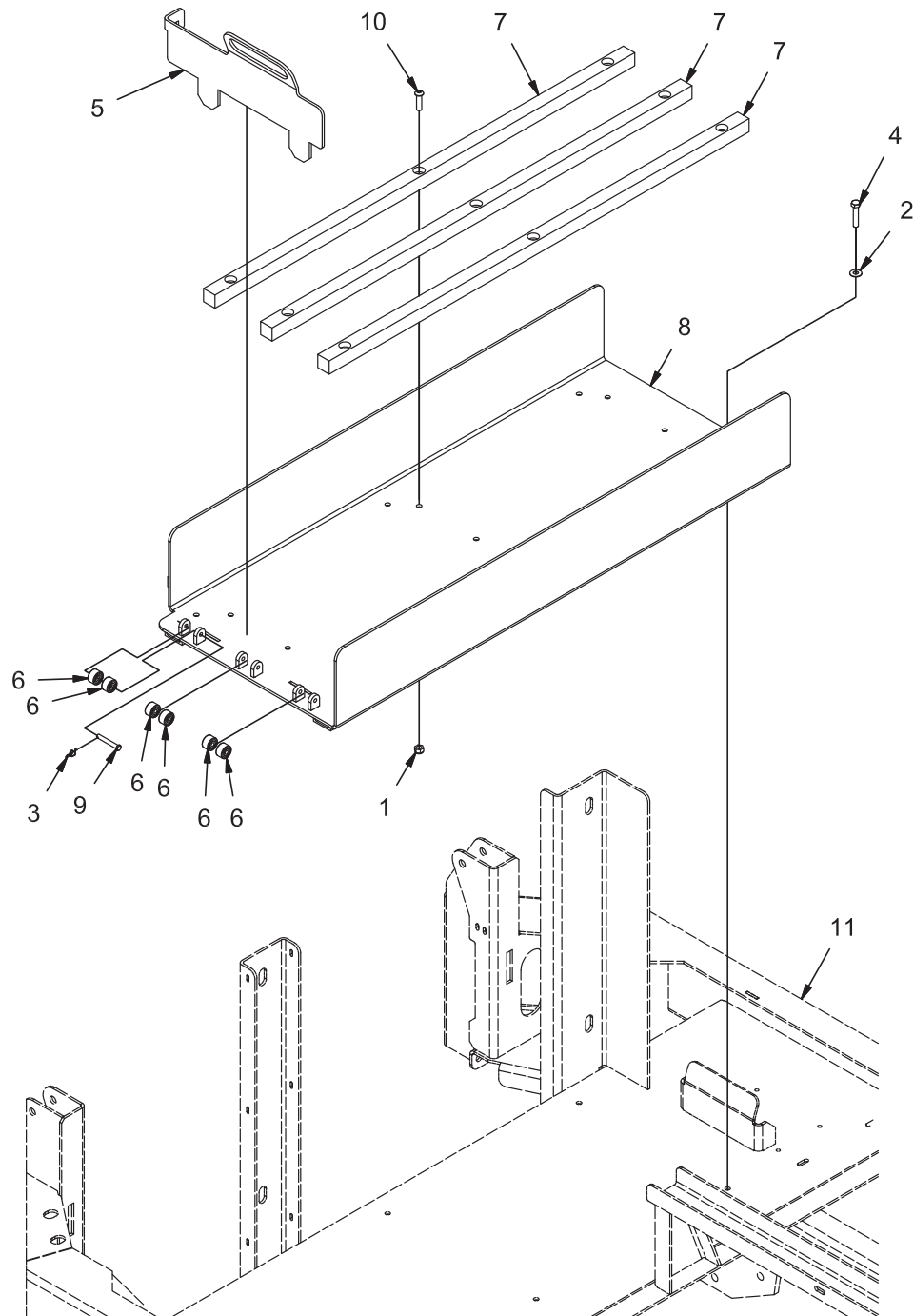


REV B

**OPTION - DUAL HOPPER VAC MOTOR GROUP (714756)**

Parts List 714756			
ITEM	PART NUMBER	QTY	DESCRIPTION
1	12040259	3	NUT, M8-1.25 ESN SS
2	718103	3	ISOLATOR, VIBRATION, 1.00 OD X .75 T
3	718220-1	1	MOTOR, VACUUM 36 VDC
4	718224	1	GASKET, VACUUM MOTOR
5	718225	1	MOUNT, VAC MOTOR
6	718271	3	SPACER .295 B .563 OD .313 L
7	718272	3	NUT-NYLOC M7-1.0 ZP
8	718273	3	SCR-HH M7-1.0 X 30 ZP
9	718304	1	MUFFLER, VAC EXHAUST
10	REF.	-	VACUUM PLENTUM
11	XXXXXX	1	TIE, NYLON, 3"

OPTION - BATTERY ROLL OUT GROUP (714767)

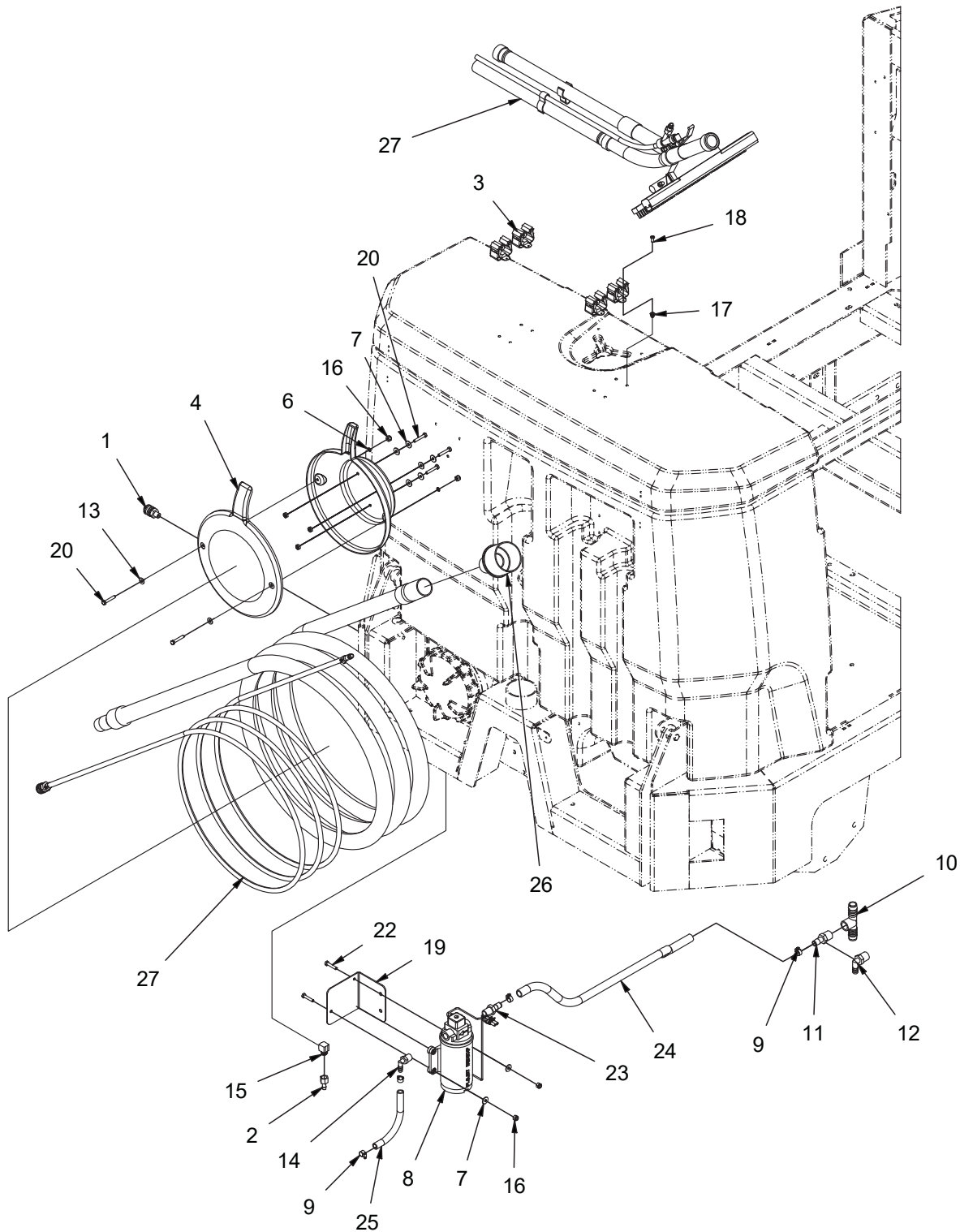


REV A

**OPTION - BATTERY ROLL OUT GROUP (714767)**

Parts List 714767			
ITEM	PART NUMBER	QTY	DESCRIPTION
1	12040259	9	NUT, M8-1.25 ESN SS
2	3400384	6	WASHER, 5/16 BELLEVILLE
3	3400742	3	RUE-RING, .25
4	717037	6	BOLT, M8-1.25 X 40 HH SS
5	718313	1	RETAINER, BATTERY
6	718314	6	BEARING-BALL .875 OD .250 ID .50 T
7	718315	3	RUNNER
8	718316	1	WELDMENT, BATT ROLL OUT
9	718317	3	PIN, CLEVIS, .25 X 1.75 ZP
10	770536	9	SCREW, M8-1.25 X 30 BUTTON HD CAP SS
11	REF.	-	FRAME

OPTION - VACUUM WAND (719517)

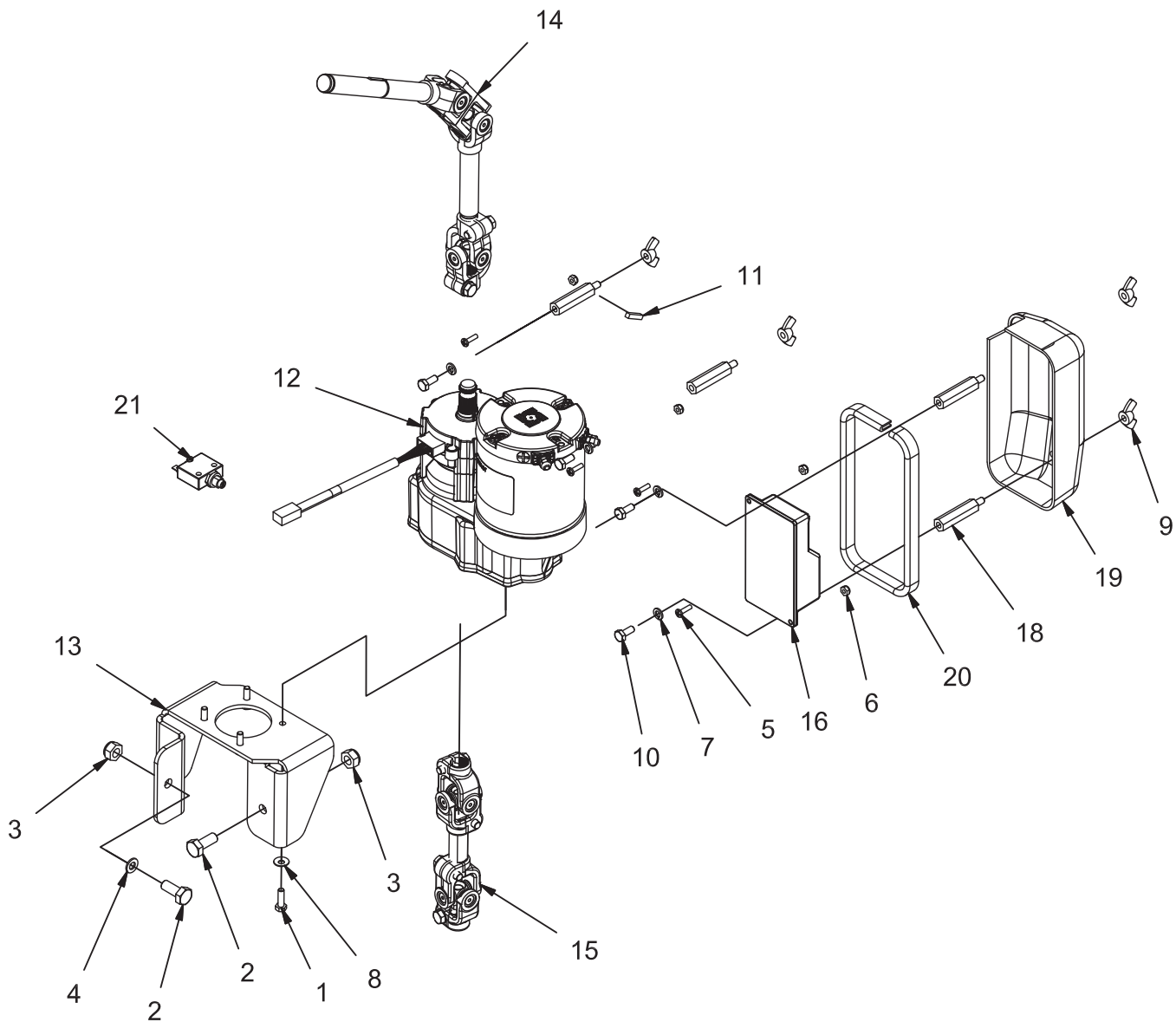


REV A

**OPTION - VACUUM WAND (719517)**

Parts List 719517			
ITEM	PART NUMBER	QTY	DESCRIPTION
1	00552590	1	QUICK HITCH
2	00552600	1	HOSE NIPPLE
3	00560010	4	CLAMP
4	01090890	1	HOSE MOUNT, COVER
5	01090900	1	HOSE MOUNT, HALF SHELL
6	12310025	2	WASHER, M5
7	12332011	8	WASHER, FENDER, M6
8	283052-2	1	ASSY, VACUUM WAND PUMP
9	3302338	4	CLAMP - SCREW .25" to .625" DIA 301SS
10	3303354	1	FTG-3/4 X3/4 X 1/2 BRANCH TEE
11	3315534	1	FTG-ADAPTER 1/2 MPT X 1/2 HB PP
12	3315535	1	FTG-ELBOW 90 1/2 MPT X 1/2 HB PP
13	3400089	2	WASHER, 1/4 .625 X .281 X .063
14	3400985	1	FITTING, PLASTIC, 90, .375 NPT .375 BARB
15	3401681	1	FTG-ELBOW 90 1/4 FPT X 1/4 MPT BRASS
16	600933	4	NUT-NYLOC M6-1.00 SS
17	711470	8	INSERT-10-24 X .437 EZ LOCK
18	712811	8	SCR-RHMS 10-24 X .50 ZP
19	718411	1	PLATE, PUMP MNT, ANGLE
20	730508	5	SCR-HH M6-1.00 X 35 FULL THREAD SS
21	730653	3	NUT-HEX M6-1.00 SS
22	731050	2	SCR-HH M6-1.00 X 30 SS
23	731094	1	FTG-ADAPTER 3/8 MPT X 1/2 HB PLASTIC
24	731095	1	TUBING, .50 ID VINYL
25	731096	1	TUBING, .375 ID VINYL
26	731098	1	ADAPTER, HOSE
27	99700910B	1	SPRAY- AND VACUUM TOOL
-	620178	.3	BULK VELCRO STRAP
-	718288	1	HARNESS, VACUUM WAND
-	718361	1	SWITCH, ON OFF
-	719181	1	RELAY, 36 VDC 15A
-	740498	1	DIODE ASSY, IN4001 W/ LEADS
-	741400	1	CIRCUIT BREAKER 10A PUSH BUTTON
-	749026	1	DIODE ASSEMBLY

OPTION - POWER STEERING, CYLINDRICAL (719518)



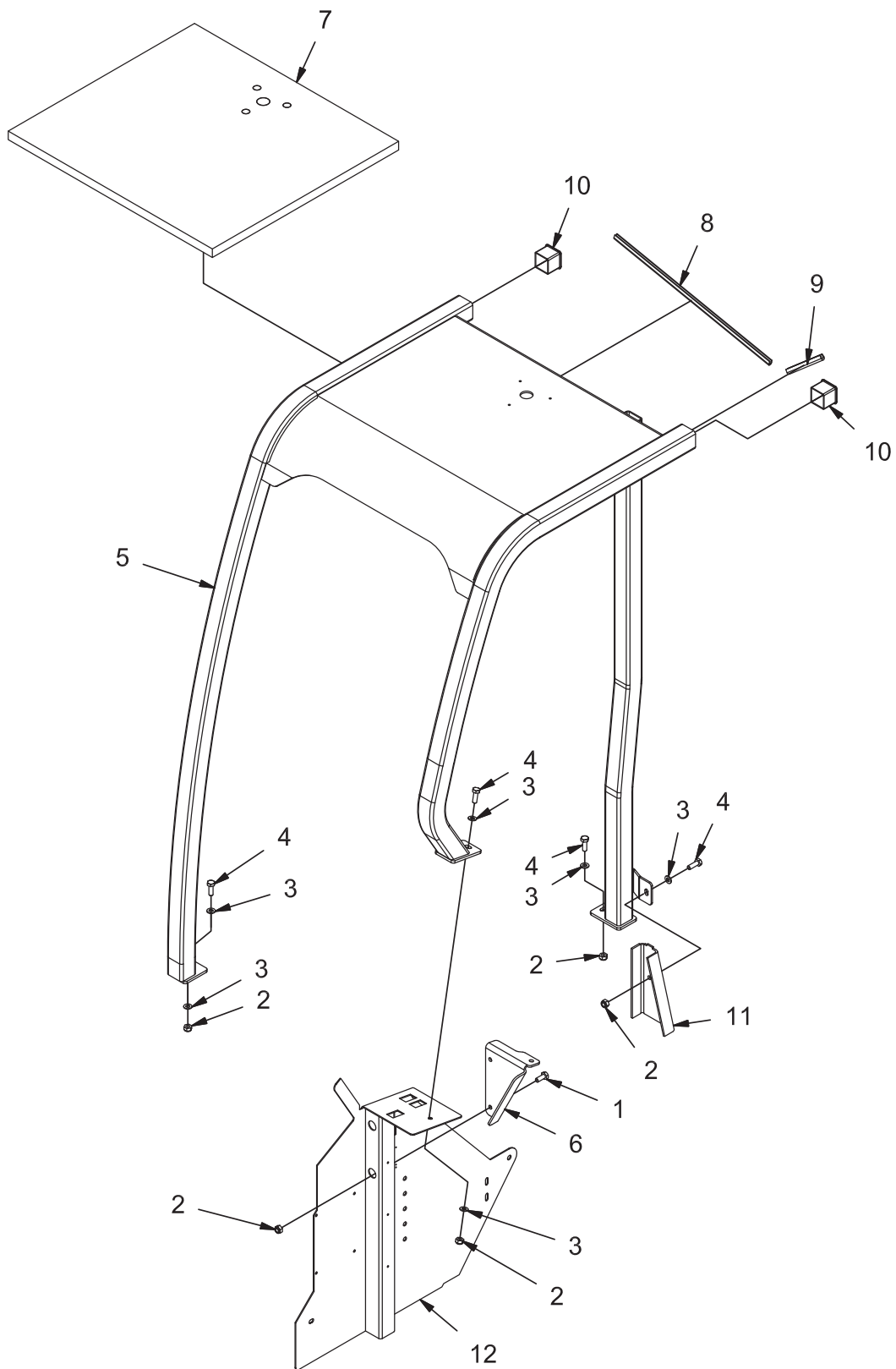
REV A



**OPTION - POWER STEERING, CYLINDRICAL (719518)**

Parts List 719518			
ITEM	PART NUMBER	QTY	DESCRIPTION
1	11038098	4	BOLT, M6-100 X 20 HH
2	11038346	2	BOLT, M10-1.50 X 25 HH
3	12040069	2	NUT, M10-1.50 ESN
4	12310041	1	WASHER-FLAT M8.4 X 16 X 1.6 ZP
5	3400045	4	SCR-PHMS 8-32X0.62 ZP SLOT HEAD
6	3400082	4	NUT, FIBER INSERT #8-32
7	3400103	4	WASHER-LOCK 1/4 SPLIT ZP
8	3400383	4	WASHER, 1/4 BELLEVILLE
9	711563	4	NUT-WING 1/4-20 NYLON
10	713001	4	SCR-HH 1/4-20 X .62 PLAIN GR 5
11	714581	2	KEY .188 SQ X .875
12	718117	1	STEERING POWER UNIT
13	718136-1	1	WELDMENT, PS MNT
14	718153	1	STEERING SHAFT, POWER, UPPER
15	718154	1	STEERING SHAFT, POWER, LOWER
16	718203	1	CONTROLLER, STEERING
17	718399	1	HARNESS, POWER STEERING (NOT SHOWN)
18	731234	4	STANDOFF, PANEL, 1/4-20X 2.00
19	731275	1	COVER, TIMER/CONTROLLER
20	731276	1	SEAL, CONTROLLER
21	740247	1	CIRCUIT BREAKER 30A

OPTION - OVERHEAD GUARD GROUP, CYLINDRICAL (719525)

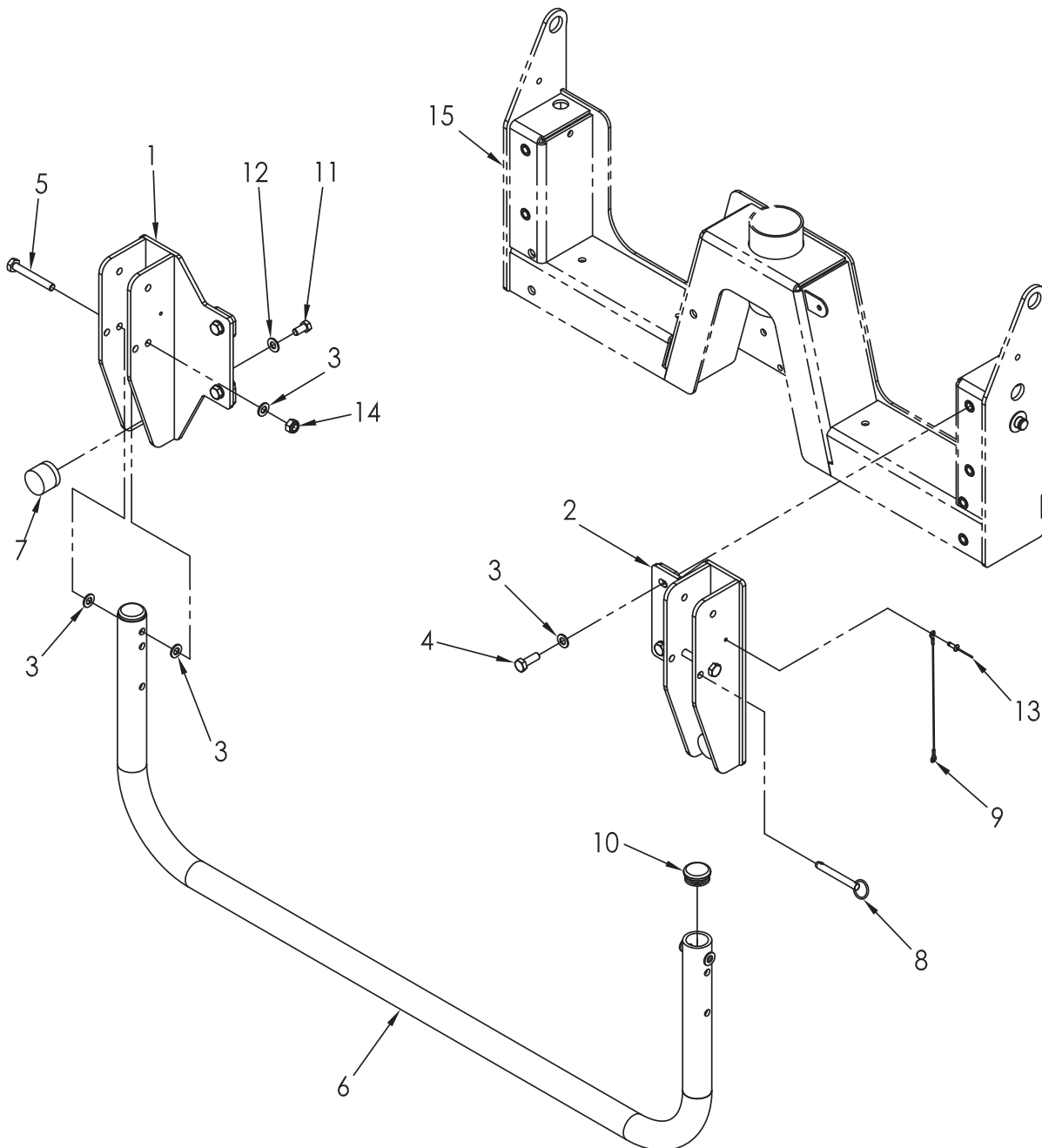


REV A

**OPTION - OVERHEAD GUARD GROUP, CYLINDRICAL (719525)**

Parts List 719525			
ITEM	PART NUMBER	QTY	DESCRIPTION
1	11038346	2	BOLT, M10-1.50 X 25 HH
2	12040069	6	NUT, M10-1.50 ESN
3	12310058	6	WASHER, M10
4	3401051	4	BOLT, M10-1.50 X 30 HH
5	718141	1	WELDMENT, OVERHEAD GUARD
6	718185	1	BRACKET, OHG
7	718322	1	INSULATION, SOUND, OHG TOP
8	718323	1	EDGING, 3/16 X 21.13
9	718324	1	EDGING, 3/16 X 6.00
10	731028	2	PLUG, TUBING
11	REF.	-	FRAME
12	REF.	-	CONSOLE

OPTION - REAR SQUEEGEE GUARD GROUP (719545)

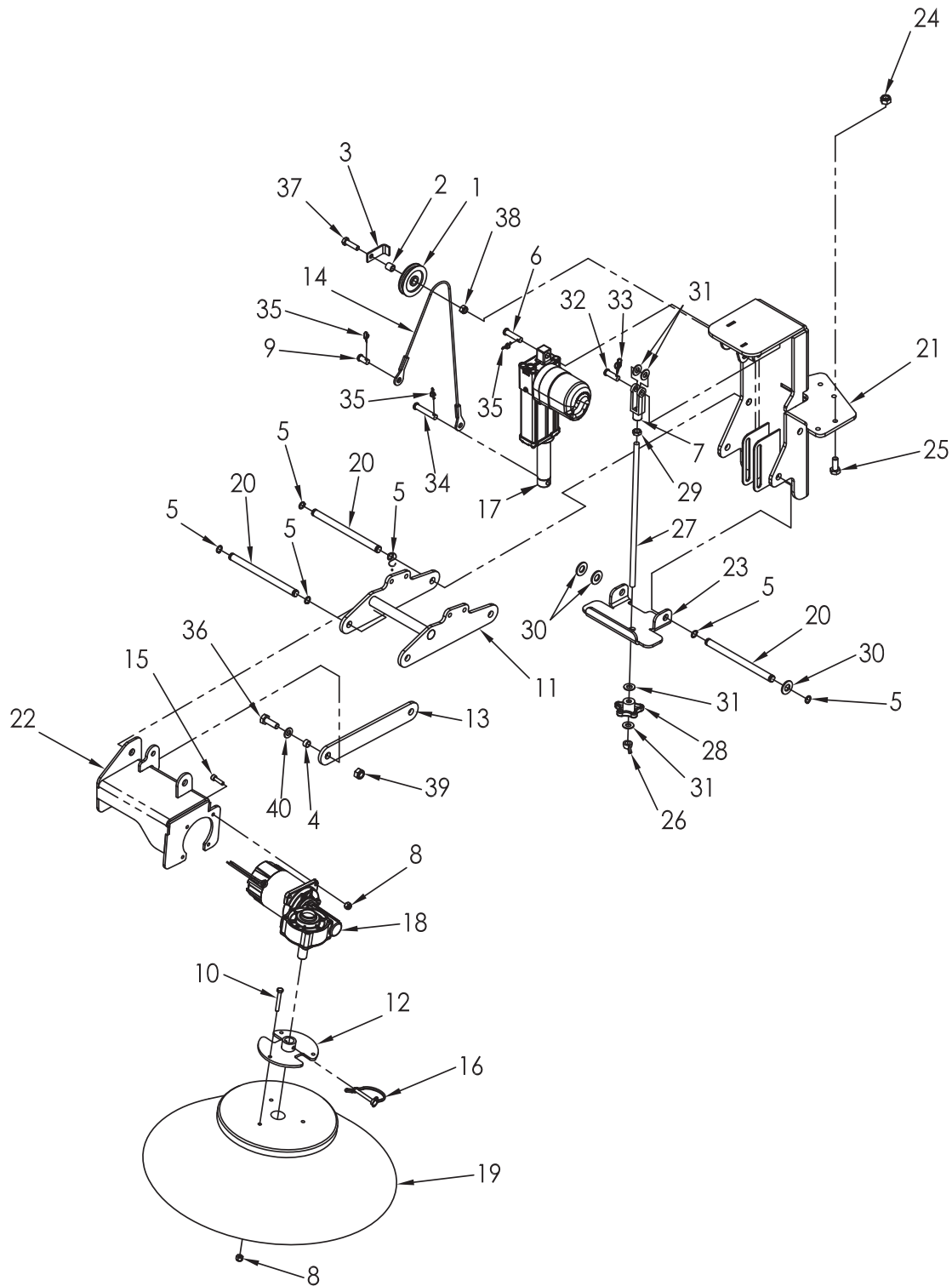


REV A

**OPTION - REAR SQUEEGEE GUARD GROUP (719545)**

Parts List 719545			
ITEM	PART NO.		DESCRIPTION
1	719546	1	WELDMENT, GUARD MOUNT, LH
2	719547	1	WELDMENT, GUARD MOUNT, RH
3	730344	10	WASHER-FLAT M10 SS
4	730878	4	SCR-HH M10-1.50 X 30 SS
5	731462	2	SCR-HH, M10-1.50 X 75 HH P CLASS 8.8
6	731488	1	TUBE, GUARD
7	731492	2	BUMPER, URETHANE
8	731493	1	PIN, CLEVIS, .375, BALL DETENT
9	731501	1	LANYARD
10	731502	2	PLUG, HOLE, 1.25
11	3400335	2	SCREW, 3/8-16 X .750 HH SS
12	3400385	2	WASHER, 3/8, BELLEVILLE
13	3400484	1	RIVET, MULTI-GRIP
14	12040069	2	NUT, M10-1.50 ESN
15	REF	1	ASSEMBLY, REAR BUMPER

OPTION - SIDE BROOM GROUP - CYLINDRICAL (719559)



REV A

**OPTION - SIDE BROOM GROUP - CYLINDRICAL (719559)**

PARTS LIST - 719559			
ITEM	PART NO.	QTY.	DESCRIPTION
1	600113	1	PULLEY, .50 B, 2.00 D, .44 T
2	600114	1	SPACER, .328B .498 OD .500, SS
3	600115	1	RETAINER, CABLE
4	600327	1	SPACER, .406 B .50OD .280 T
5	600569	6	RETAINING RING, EXT .50 HD
6	600573	1	PIN, CLEVIS, 3/8 X 1.50
7	600813	1	CLEVIS, 3/8-24
8	600933	7	NUT, M6-1.00 ESN SS
9	711679	1	PIN, CLEVIS, .375 X .75
10	718009	3	SCR-HH M6-1.0 X 45 SS
11	718026	1	WELDMENT, SB TRAILING ARM
12	718027	1	WELDMENT, SB HUB
13	718028	1	ARM, TRAILING
14	718041	1	CABLE, SB LIFT
15	718042	4	SCR-SHCS M6-1.00 X 22 SS
16	718045	1	PIN, LOCKING, .25
17	718047-1	1	ACTUATOR, 36VDC 190 LBS 2.88 STK
18	718050-1	1	MOTOR, 36VDC 70 RPM .08 HP
19	718053	1	CURB BROOM, POLY, 19"
20	718321	3	PIN, .50 X 6.88
21	719560	1	W/D, SB LIFT
22	719564	1	WELDMENT, SB, MOTOR MNT
23	719570	1	CHANNEL, SB ADJUSTMENT
24	730339	4	NUT, M10-1.50 ESN SS
25	730958	4	BOLT, M10-1.50 X 25 HH SS
26	731277	1	WING NUT, 3/8-24, NYLON
27	731284	1	ROD, SB ADJUSTMENT
28	731291	1	KNOB, 3/8-24
29	3400075	1	NUT, HEX JAM 3/8-24
30	3400086	3	WASHER, 1/2, 1.063 X .531 X .094
31	3400087	4	WASHER, 3/8
32	3400117	1	PIN, CLEVIS 3/8 X 1.125
33	3400125	1	RUE-RING .375
34	3400266	1	PIN, CLEVIS, 3/8 X 2.00
35	3400742	3	RUE-RING, .25
36	3401051	1	BOLT, M10-1.5 X 30 HH
37	11038254	1	BOLT, M8-1.25 X 30 HH
38	12040051	1	NUT, M8-1.25 ESN
39	12040069	1	NUT, M10-1.50 ESN
40	12310058	1	WASHER, M10

**OPTION - PRIMOTHANE SQUEEGEE BLADES GROUP (718415)**

<b>PARTS LIST 718415</b>		
<b>ITEM</b>	<b>QTY</b>	<b>PART NUMBER</b>
718416	1	SQUEEGEE BLADE, FRONT PRIMOTHANE
718417	1	SQUEEGEE BLADE, REAR PRIMOTHANE
718418	2	SQUEEGEE BLADE, SIDE PRIMOTHANE

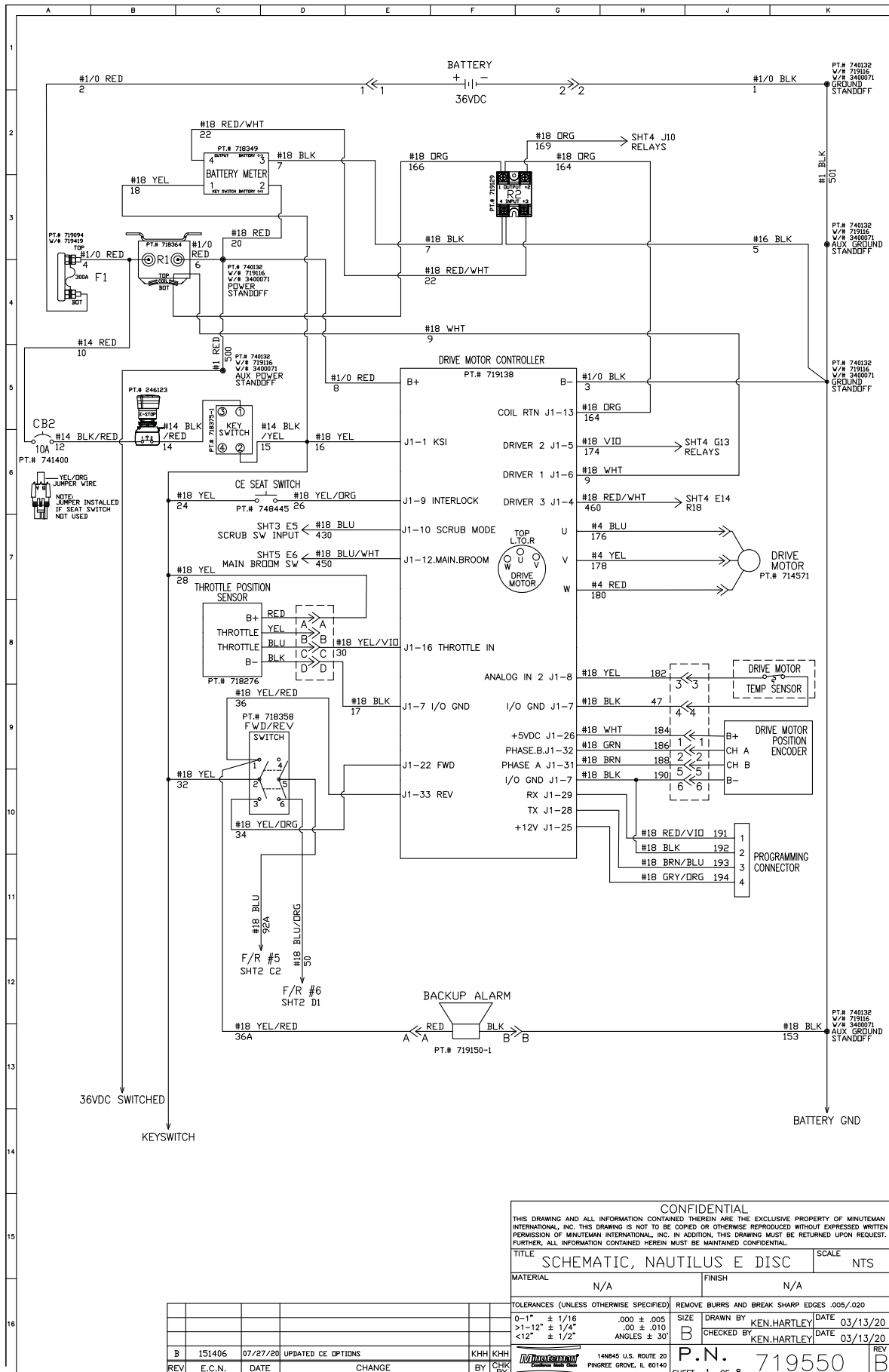
**OPTION - PROTECTIVE RAIL BUMPERS (719528)**

<b>PARTS LIST 719528</b>		
<b>ITEM</b>	<b>QTY</b>	<b>PART NUMBER</b>
719529	18 FT	BUMPER, D-STYLE RUBBER IMPACT





# DISC ELECTRICAL SCHEMATIC LAYOUT



**CONFIDENTIAL**

THIS DRAWING AND ALL INFORMATION CONTAINED THEREIN ARE THE EXCLUSIVE PROPERTY OF MINITEMAN INTERNATIONAL, INC. THIS DRAWING IS NOT TO BE COPIED OR OTHERWISE REPRODUCED WITHOUT EXPRESSED WRITTEN PERMISSION OF MINITEMAN INTERNATIONAL, INC. IN ADDITION, THIS DRAWING MUST BE RETURNED UPON REQUEST. FURTHER, ALL INFORMATION CONTAINED HEREIN MUST BE MAINTAINED CONFIDENTIAL.

TITLE		SCALE	
SCHEMATIC, NAUTILUS E DISC		NTS	
MATERIAL	N/A	FINISH	N/A
TOLERANCES (UNLESS OTHERWISE SPECIFIED)		REMOVE BURRS AND BREAK SHARP EDGES .005/.020	
0-.1" ± 1/16	.000 ± .005	SIZE	DRAWN BY KEN.HARTLEY DATE 03/13/20
>1-12" ± 1/4"	.00 ± .010	B	CHECKED BY KEN.HARTLEY DATE 03/13/20
<12" ± 1/2"	ANGLES ± 30°		
B	151406	07/27/20	UPDATED CE OPTIONS
REV	E.C.N.	DATE	CHANGE

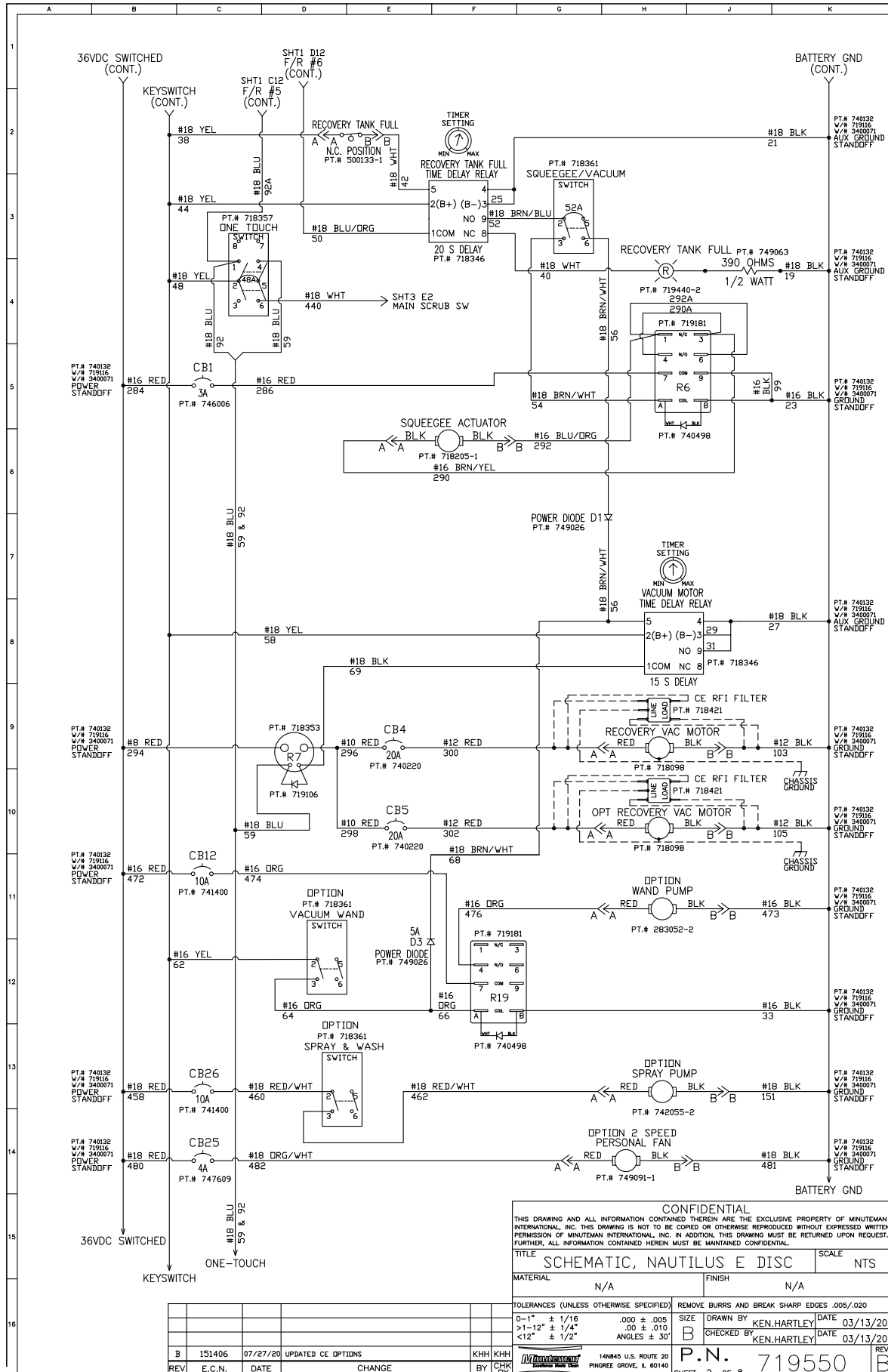
KHH KHH  
 BY CHK BY  

 148845 U.S. ROUTE 20  
 PINGREE GROVE, IL 60140

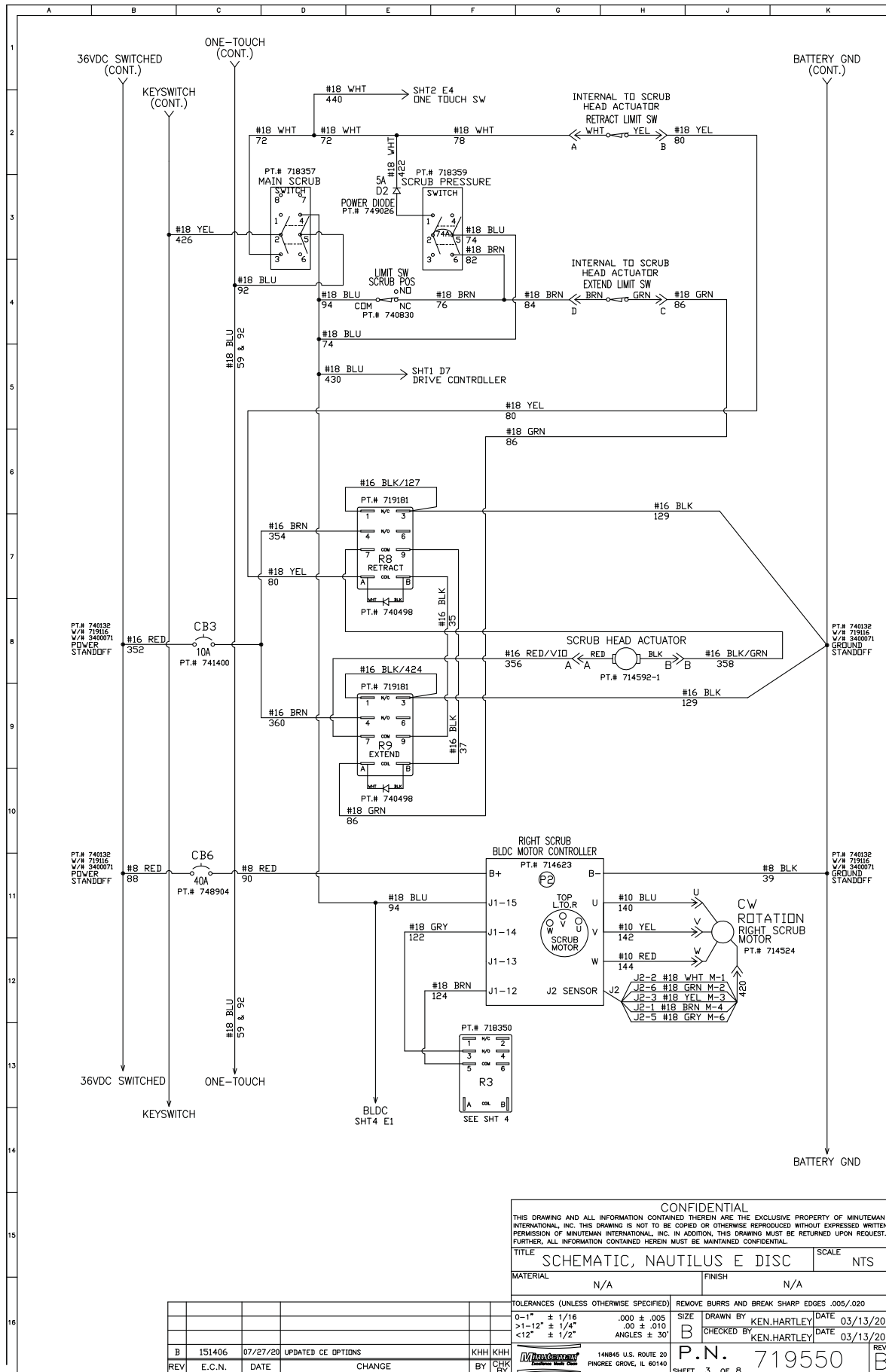
P.N. 719550

SHEET 1 OF 8

# DISC ELECTRICAL SCHEMATIC LAYOUT



# DISC ELECTRICAL SCHEMATIC LAYOUT

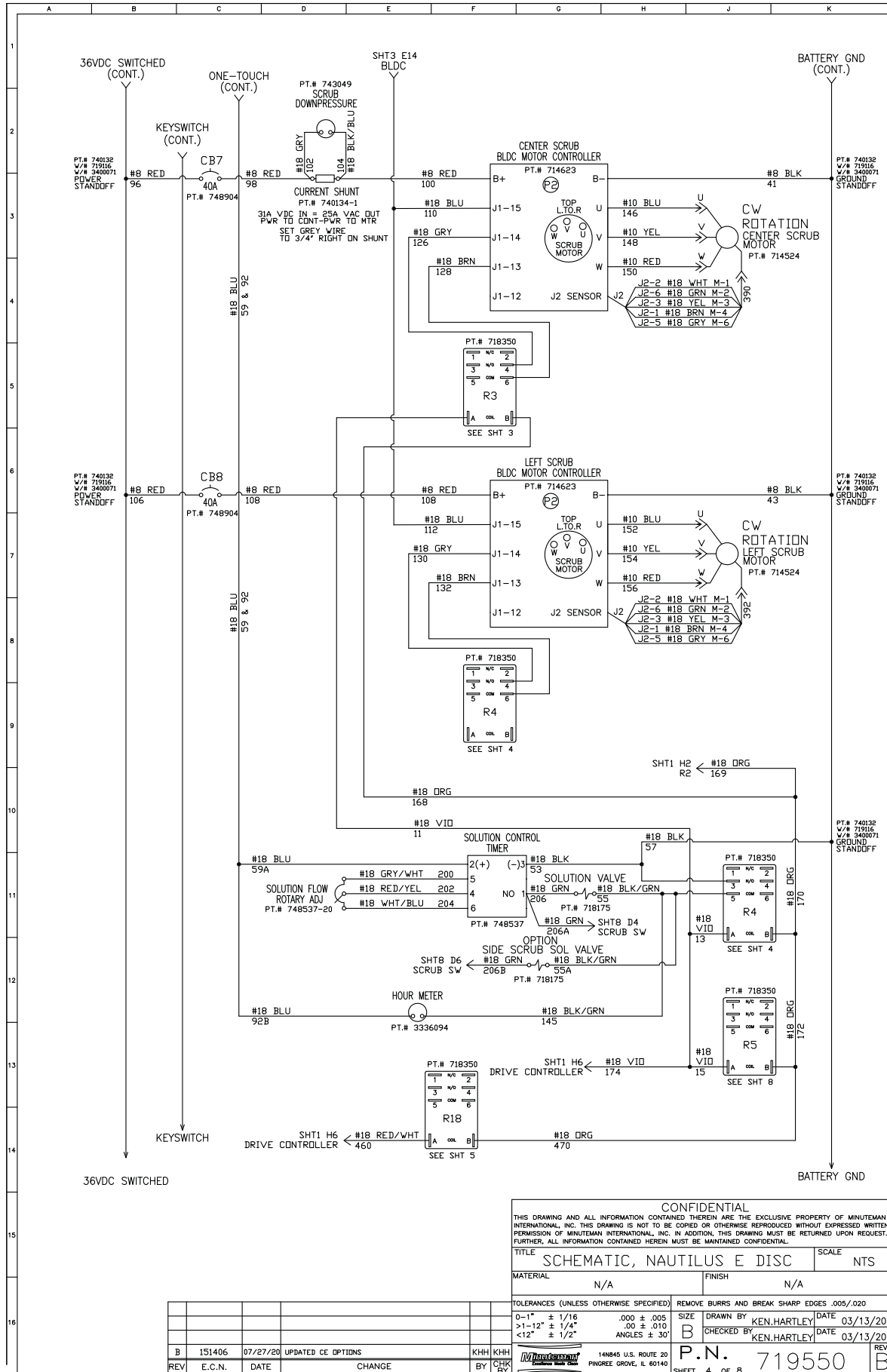


**CONFIDENTIAL**

THIS DRAWING AND ALL INFORMATION CONTAINED THEREIN ARE THE EXCLUSIVE PROPERTY OF MINUTEMAN INTERNATIONAL, INC. THIS DRAWING IS NOT TO BE COPIED OR OTHERWISE REPRODUCED WITHOUT EXPRESSED WRITTEN PERMISSION OF MINUTEMAN INTERNATIONAL, INC. IN ADDITION, THIS DRAWING MUST BE RETURNED UPON REQUEST. FURTHER, ALL INFORMATION CONTAINED HEREIN MUST BE MAINTAINED CONFIDENTIAL.

TITLE		SCALE	
SCHEMATIC, NAUTILUS E DISC		NTS	
MATERIAL	N/A	FINISH	N/A
TOLERANCES (UNLESS OTHERWISE SPECIFIED)		REMOVE BURRS AND BREAK SHARP EDGES .005/.020	
0-.1" ± 1/16	.000 ± .005	SIZE	DRAWN BY KEN.HARTLEY DATE 03/13/20
>1-12" ± 1/4"	.00 ± .010	B	CHECKED BY KEN.HARTLEY DATE 03/13/20
<12" ± 1/2"	ANGLES ± 30'		
B	151406	07/27/20	UPDATED CE OPTIONS
REV	E.C.N.	DATE	CHANGE
KHH		KHH	
BY		CHK BY	
		P.N. 719550 SHEET 3 OF 8	

# DISC ELECTRICAL SCHEMATIC LAYOUT



**CONFIDENTIAL**

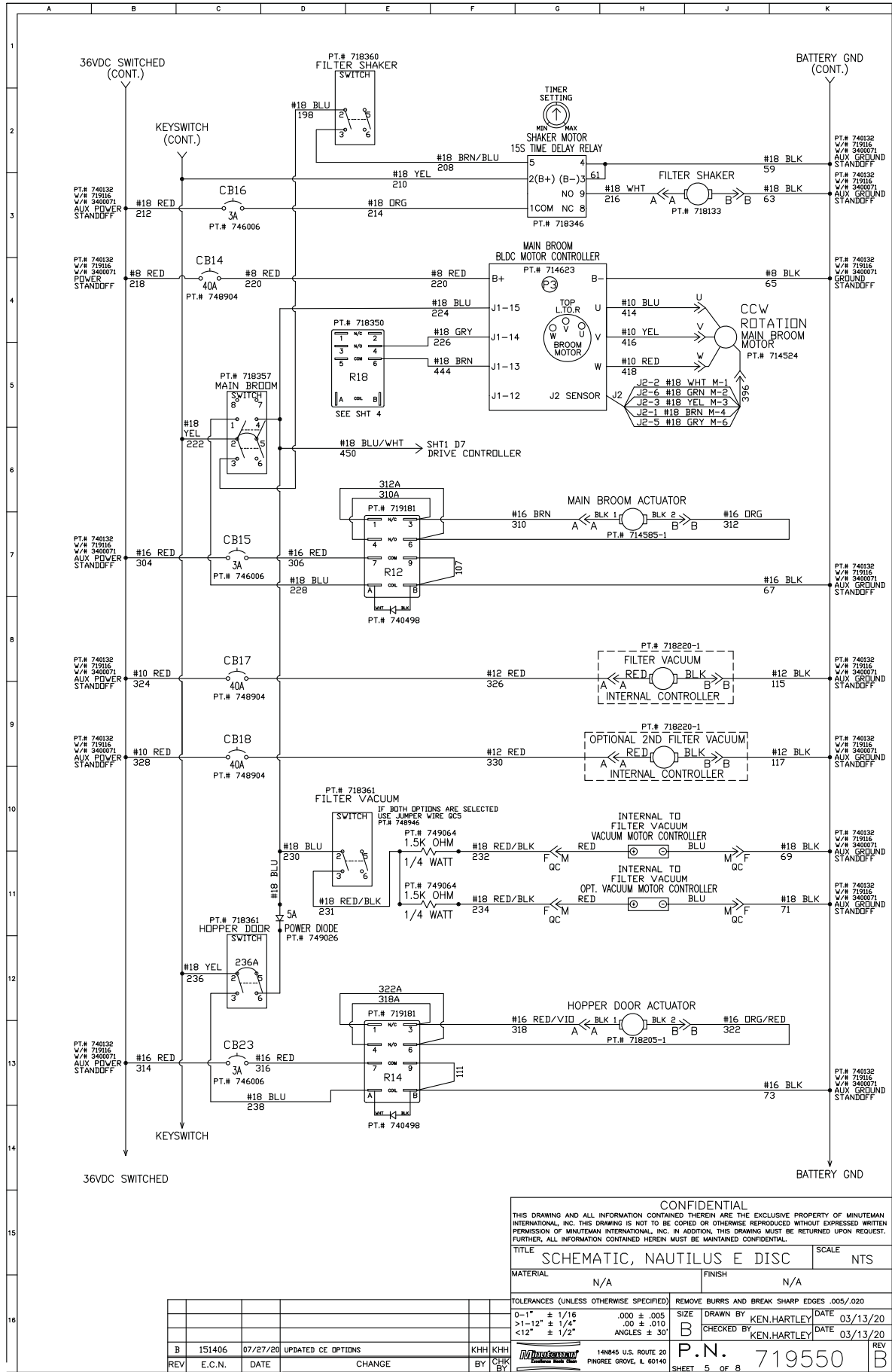
THIS DRAWING AND ALL INFORMATION CONTAINED THEREIN ARE THE EXCLUSIVE PROPERTY OF MINUTEMAN INTERNATIONAL, INC. THIS DRAWING IS NOT TO BE COPIED OR OTHERWISE REPRODUCED WITHOUT EXPRESSED WRITTEN PERMISSION OF MINUTEMAN INTERNATIONAL, INC. IN ADDITION, THIS DRAWING MUST BE RETURNED UPON REQUEST. FURTHER, ALL INFORMATION CONTAINED HEREIN MUST BE MAINTAINED CONFIDENTIAL.

TITLE		SCALE	
SCHEMATIC, NAUTILUS E DISC		NTS	
MATERIAL		FINISH	
N/A		N/A	
TOLERANCES (UNLESS OTHERWISE SPECIFIED)			
0-1" ± 1/16	.000 ± .005	REMOVE BURRS AND BREAK SHARP EDGES	.005/.020
>1-12" ± 1/4"	.00 ± .010	DRAWN BY	KEN.HARTLEY
<12" ± 1/2"	ANGLES ± 30'	CHECKED BY	KEN.HARTLEY
		DATE	03/13/20
		DATE	03/13/20
B	151406	07/27/20	UPDATED CE OPTIONS
REV	E.C.N.	DATE	CHANGE
		CHK BY	KHH
		BY	KHH

P.N. 719550

SHEET 4 OF 8

# DISC ELECTRICAL SCHEMATIC LAYOUT

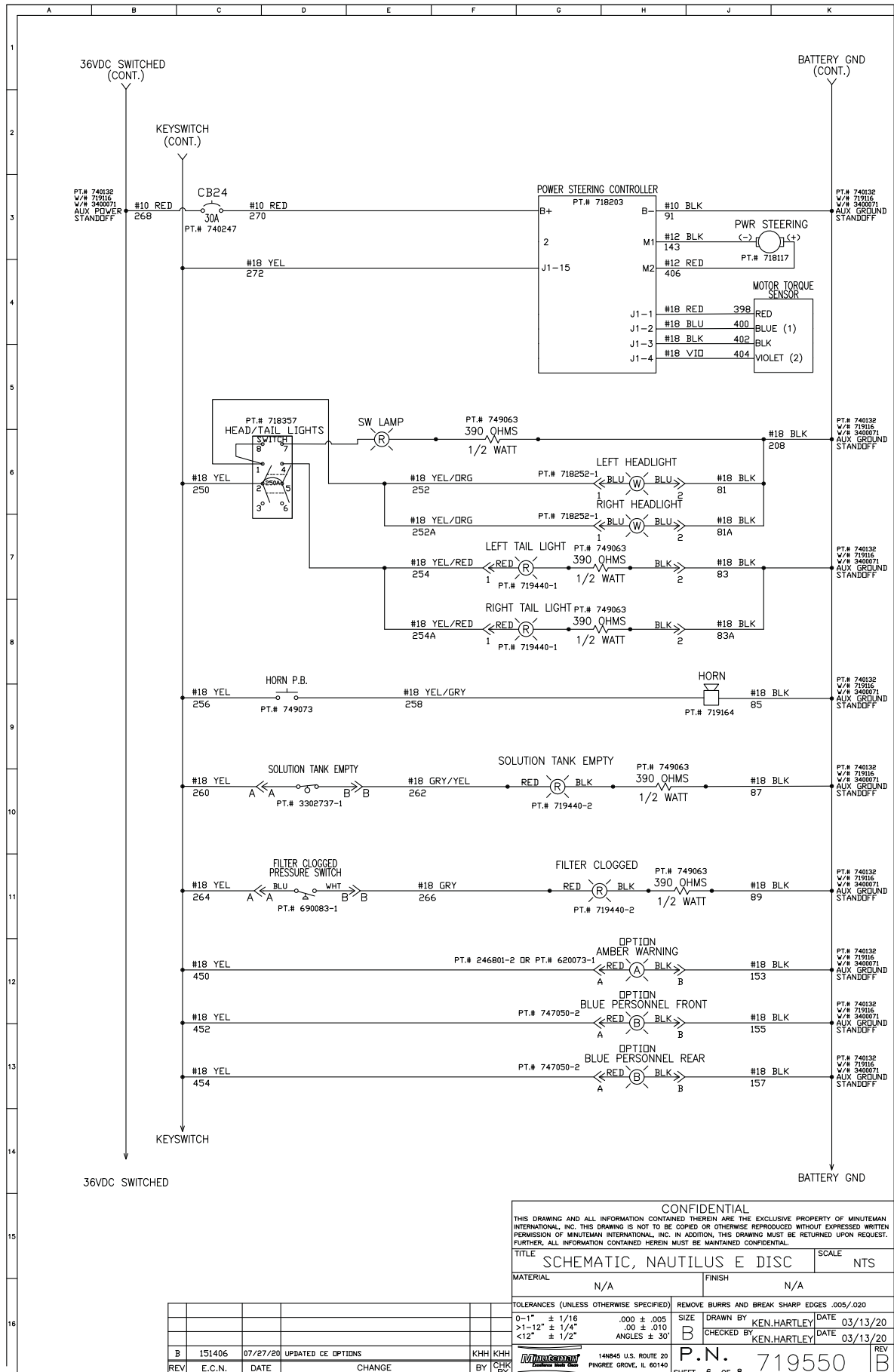


**CONFIDENTIAL**

THIS DRAWING AND ALL INFORMATION CONTAINED THEREIN ARE THE EXCLUSIVE PROPERTY OF MINUTEMAN INTERNATIONAL, INC. THIS DRAWING IS NOT TO BE COPIED OR OTHERWISE REPRODUCED WITHOUT EXPRESSED PERMISSION OF MINUTEMAN INTERNATIONAL, INC. IN ADDITION, THIS DRAWING MUST BE RETURNED UPON REQUEST. FURTHER, ALL INFORMATION CONTAINED HEREIN MUST BE MAINTAINED CONFIDENTIAL.

TITLE: SCHEMATIC, NAUTILUS E DISC		SCALE: NTS
MATERIAL: N/A	FINISH: N/A	
TOLERANCES (UNLESS OTHERWISE SPECIFIED) REMOVE BURRS AND BREAK SHARP EDGES .005/.020		
0-1" ± 1/16"	.000 ± .005	SIZE: DRAWN BY: KEN.HARTLEY DATE: 03/13/20
>1-12" ± 1/4"	.00 ± .010	CHECKED BY: KEN.HARTLEY DATE: 03/13/20
<12" ± 1/2"	ANGLES ± 30'	
B 151406 07/27/20 UPDATED CE OPTIONS	KHH KHH	14N845 U.S. ROUTE 20 PINGREE GROVE, IL 60140
REV E.C.N. DATE CHANGE	BY CHK BY	P.N. 719550 SHEET 5 OF 8

# DISC ELECTRICAL SCHEMATIC LAYOUT



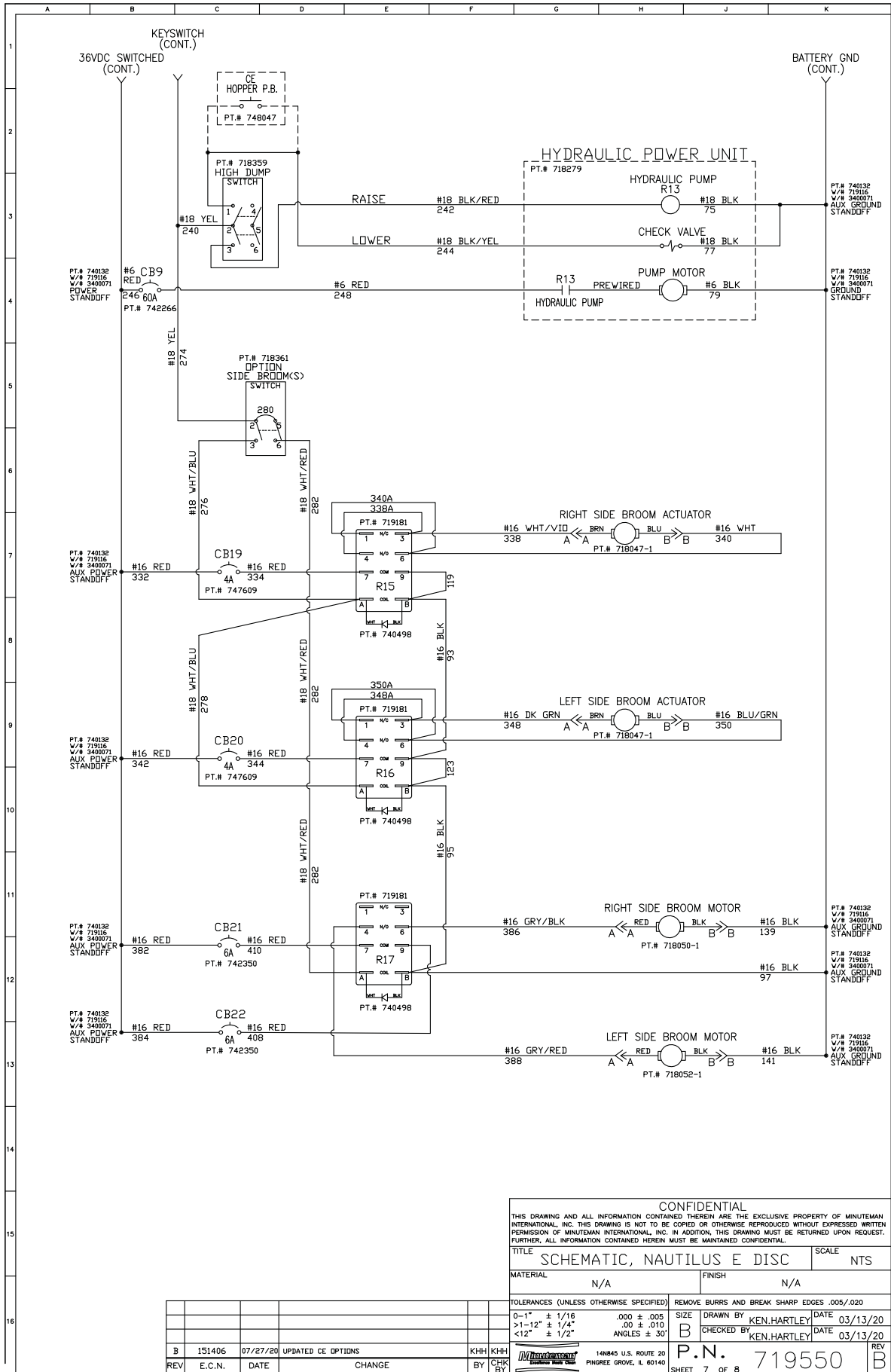
**CONFIDENTIAL**

THIS DRAWING AND ALL INFORMATION CONTAINED THEREIN ARE THE EXCLUSIVE PROPERTY OF MINUTEMAN INTERNATIONAL, INC. THIS DRAWING IS NOT TO BE COPIED OR OTHERWISE REPRODUCED WITHOUT EXPRESSED PERMISSION OF MINUTEMAN INTERNATIONAL, INC. IN ADDITION, THIS DRAWING MUST BE RETURNED UPON REQUEST. FURTHER, ALL INFORMATION CONTAINED HEREIN MUST BE MAINTAINED CONFIDENTIAL.

TITLE: SCHEMATIC, NAUTILUS E DISC		SCALE: NTS	
MATERIAL: N/A		FINISH: N/A	
TOLERANCES (UNLESS OTHERWISE SPECIFIED) REMOVE BURRS AND BREAK SHARP EDGES .005/.020			
0-.1" ± 1/16"	.000 ± .005	SIZE: B	DRAWN BY: KEN.HARTLEY DATE: 03/13/20
>1-12" ± 1/4"	.00 ± .010	SIZE: B	CHECKED BY: KEN.HARTLEY DATE: 03/13/20
<12" ± 1/2"	ANGLES ± 30'		
B 151406	07/27/20	UPDATED CE OPTIONS	KHH KHH
REV: E.C.N.	DATE:	CHANGE:	BY: CKH

**P.N. 719550**  
 SHEET 6 OF 8

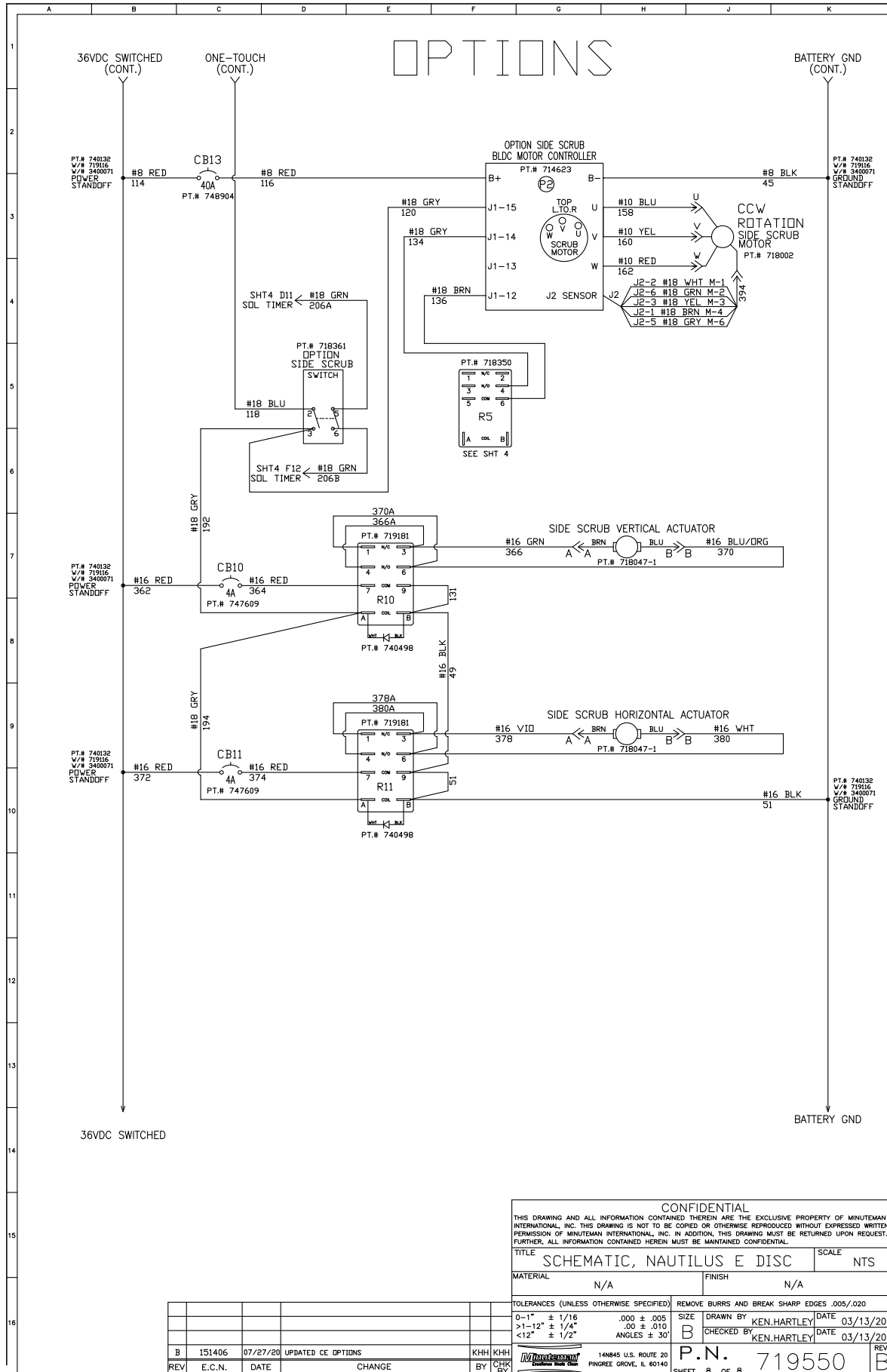
# DISC ELECTRICAL SCHEMATIC LAYOUT



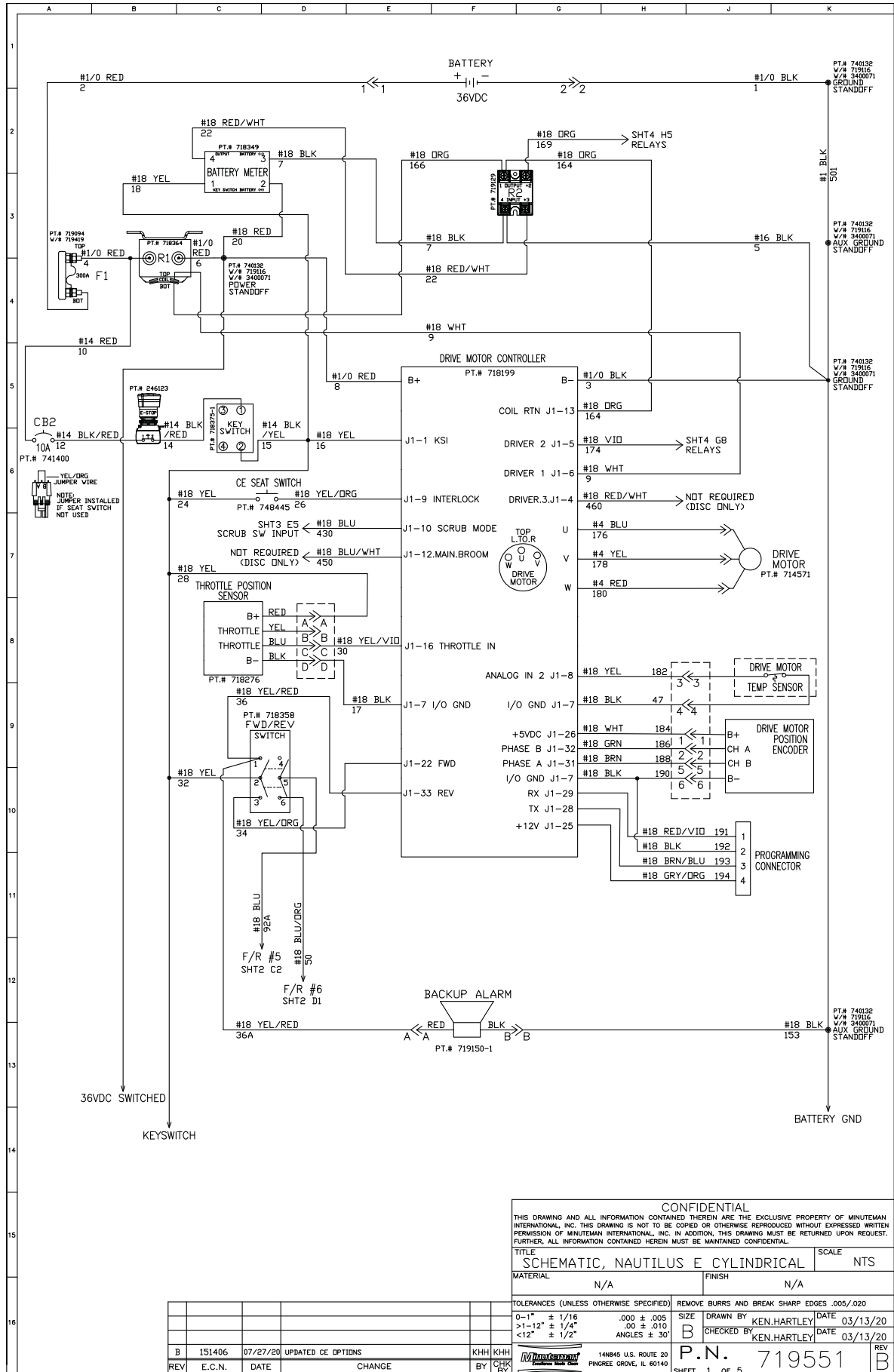
CONFIDENTIAL			
THIS DRAWING AND ALL INFORMATION CONTAINED THEREIN ARE THE EXCLUSIVE PROPERTY OF MINUTEMAN INTERNATIONAL, INC. THIS DRAWING IS NOT TO BE COPIED OR OTHERWISE REPRODUCED WITHOUT EXPRESSED WRITTEN PERMISSION OF MINUTEMAN INTERNATIONAL, INC. IN ADDITION, THIS DRAWING MUST BE RETURNED UPON REQUEST. FURTHER, ALL INFORMATION CONTAINED HEREIN MUST BE MAINTAINED CONFIDENTIAL.			
TITLE		SCALE	
SCHEMATIC, NAUTILUS E DISC		NTS	
MATERIAL		FINISH	
N/A		N/A	
TOLERANCES (UNLESS OTHERWISE SPECIFIED)			
REMOVE BURRS AND BREAK SHARP EDGES .005/.020			
0-1" ± 1/16	.000 ± .005	SIZE	DRAWN BY
>1-12" ± 1/4"	.00 ± .010	B	KEN.HARTLEY
<12" ± 1/2"	ANGLES ± 30'	CHECKED BY	DATE
		KEN.HARTLEY	03/13/20
B	151406	07/27/20	UPDATED CE OPTIONS
REV	E.C.N.	DATE	CHANGE
			BY
			CHK
			RY
P.N. 719550		REV B	
SHEET 7 OF 8			



# DISC ELECTRICAL SCHEMATIC LAYOUT



# CYLINDRICAL ELECTRICAL SCHEMATIC LAYOUT



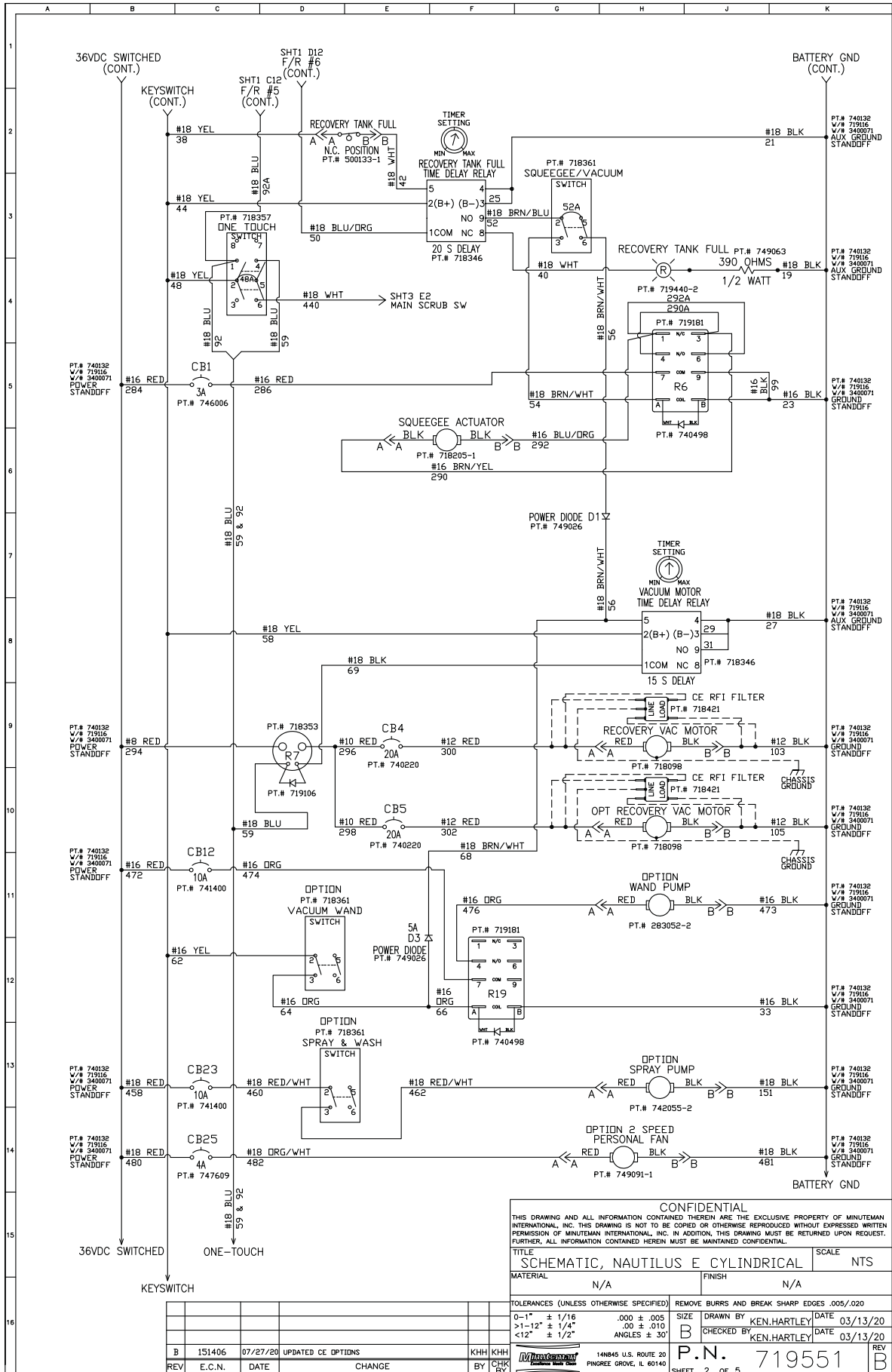
**CONFIDENTIAL**

THIS DRAWING AND ALL INFORMATION CONTAINED THEREIN ARE THE EXCLUSIVE PROPERTY OF MINUTEMAN INTERNATIONAL, INC. THIS DRAWING IS NOT TO BE COPIED OR OTHERWISE REPRODUCED WITHOUT EXPRESSED PERMISSION OF MINUTEMAN INTERNATIONAL, INC. IN ADDITION, THIS DRAWING MUST BE RETURNED UPON REQUEST. FURTHER, ALL INFORMATION CONTAINED HEREIN MUST BE MAINTAINED CONFIDENTIAL.

TITLE <b>SCHEMATIC, NAUTILUS E CYLINDRICAL</b>		SCALE <b>NTS</b>
MATERIAL <b>N/A</b>	FINISH <b>N/A</b>	
TOLERANCES (UNLESS OTHERWISE SPECIFIED) REMOVE BURRS AND BREAK SHARP EDGES .005/.020		
0-1" ± 1/16	.000 ± .005	SIZE
>1-12" ± 1/4"	.00 ± .010	DATE
<12" ± 1/2"	ANGLES ± 30'	CHECKED BY
		DATE
<b>B</b> 151406	07/27/20	UPDATED CE OPTIONS
REV	E.C.N.	DATE
		CHANGE
		CHK BY
		BY

**P.N. 719551**  
 SHEET 1 OF 5

# CYLINDRICAL ELECTRICAL SCHEMATIC LAYOUT

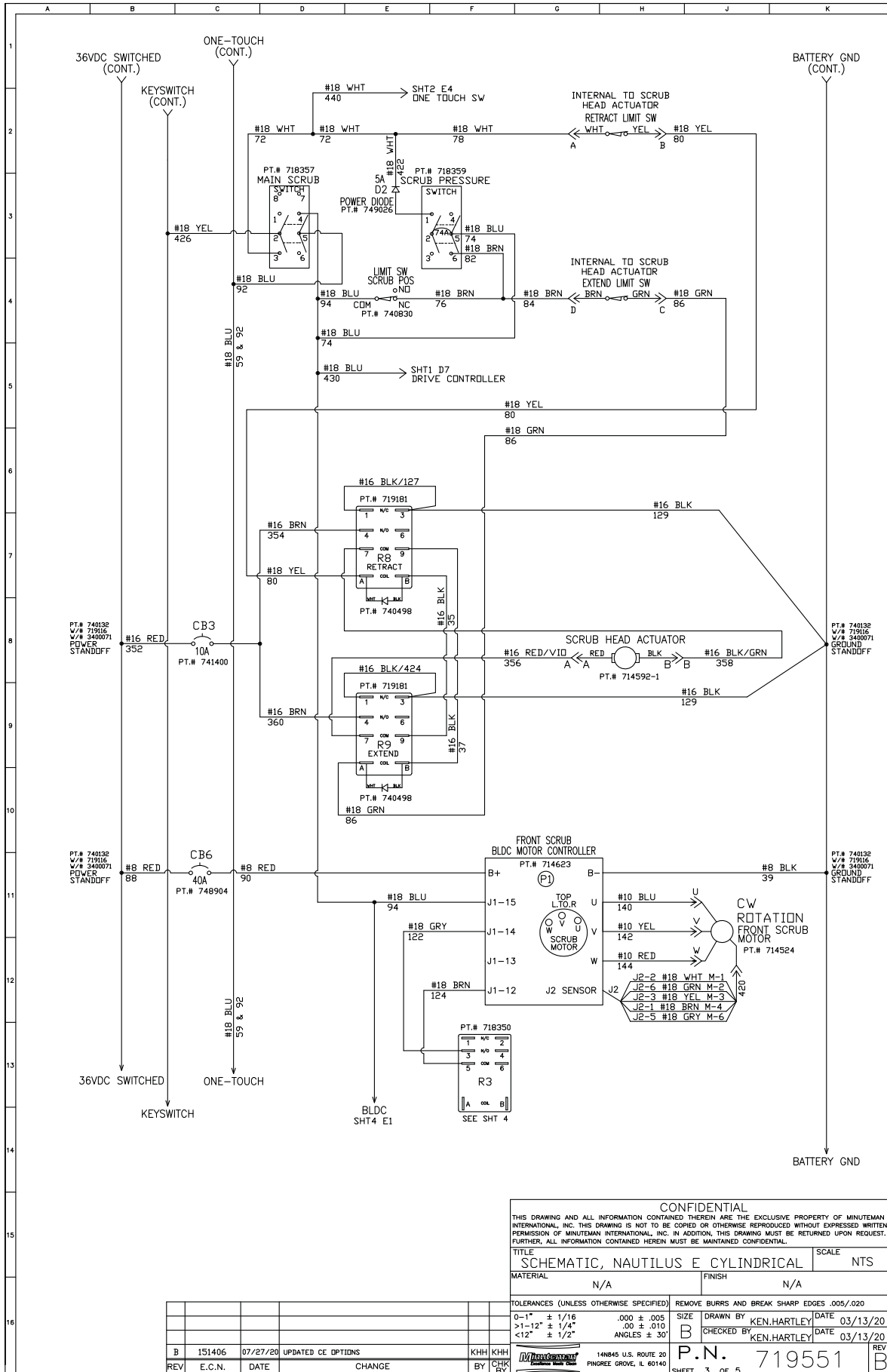


CONFIDENTIAL

THIS DRAWING AND ALL INFORMATION CONTAINED THEREIN ARE THE EXCLUSIVE PROPERTY OF MINUTEMAN INTERNATIONAL, INC. THIS DRAWING IS NOT TO BE COPIED OR OTHERWISE REPRODUCED WITHOUT EXPRESSED WRITTEN PERMISSION OF MINUTEMAN INTERNATIONAL, INC. IN ADDITION, THIS DRAWING MUST BE RETURNED UPON REQUEST. FURTHER, ALL INFORMATION CONTAINED HEREIN MUST BE MAINTAINED CONFIDENTIAL.

TITLE		SCALE	
SCHEMATIC, NAUTILUS E CYLINDRICAL		NTS	
MATERIAL		FINISH	
N/A		N/A	
TOLERANCES (UNLESS OTHERWISE SPECIFIED)			
0-1" ± 1/16		REMOVE BURRS AND BREAK SHARP EDGES .005/.020	
>1-12" ± 1/4"		.000 ± .005	
<12" ± 1/2"		.00 ± .010	
ANGLES ± 30'		SIZE	
		DRAWN BY KEN.HARTLEY DATE 03/13/20	
		CHECKED BY KEN.HARTLEY DATE 03/13/20	
B 151406 07/27/20 UPDATED CE OPTIONS		KHH KHH	
REV E.C.N. DATE CHANGE		BY CHK BY	
		BY	
14845 U.S. ROUTE 20 PINGREE GROVE, IL 60140			
		P.N. 719551	
		SHEET 2 OF 5	

# CYLINDRICAL ELECTRICAL SCHEMATIC LAYOUT

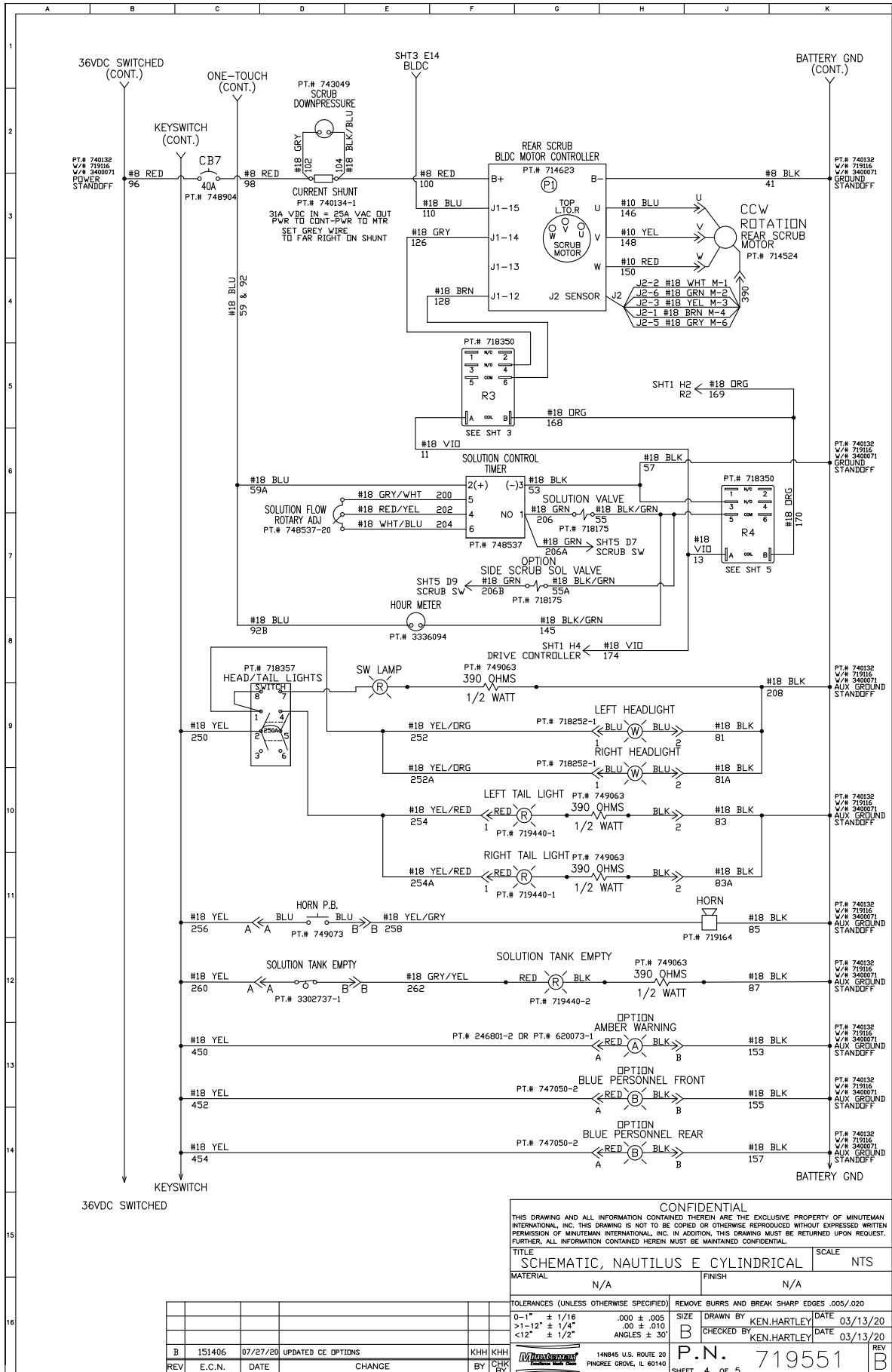


**CONFIDENTIAL**

THIS DRAWING AND ALL INFORMATION CONTAINED THEREIN ARE THE EXCLUSIVE PROPERTY OF MINUTEMAN INTERNATIONAL, INC. THIS DRAWING IS NOT TO BE COPIED OR OTHERWISE REPRODUCED WITHOUT EXPRESSED WRITTEN PERMISSION OF MINUTEMAN INTERNATIONAL, INC. IN ADDITION, THIS DRAWING MUST BE RETURNED UPON REQUEST. FURTHER, ALL INFORMATION CONTAINED HEREIN MUST BE MAINTAINED CONFIDENTIAL.

TITLE		SCALE	
SCHEMATIC, NAUTILUS E CYLINDRICAL		NTS	
MATERIAL		FINISH	
N/A		N/A	
TOLERANCES (UNLESS OTHERWISE SPECIFIED) REMOVE BURRS AND BREAK SHARP EDGES .005/.020			
0-1" ± 1/16	.000 ± .005	SIZE	DRAWN BY
>1-12" ± 1/4"	.00 ± .010	B	KEN.HARTLEY
<12" ± 1/2"	ANGLES ± 30'	B	CHECKED BY
			KEN.HARTLEY
			DATE
			03/13/20
B	151406	07/27/20	UPDATED CE OPTIONS
REV	E.C.N.	DATE	CHANGE
			KHH
			CHK BY
			BY
		P.N. 719551	
148845 U.S. ROUTE 20 PINGREE GROVE, IL 60140		SHEET 3 OF 5	

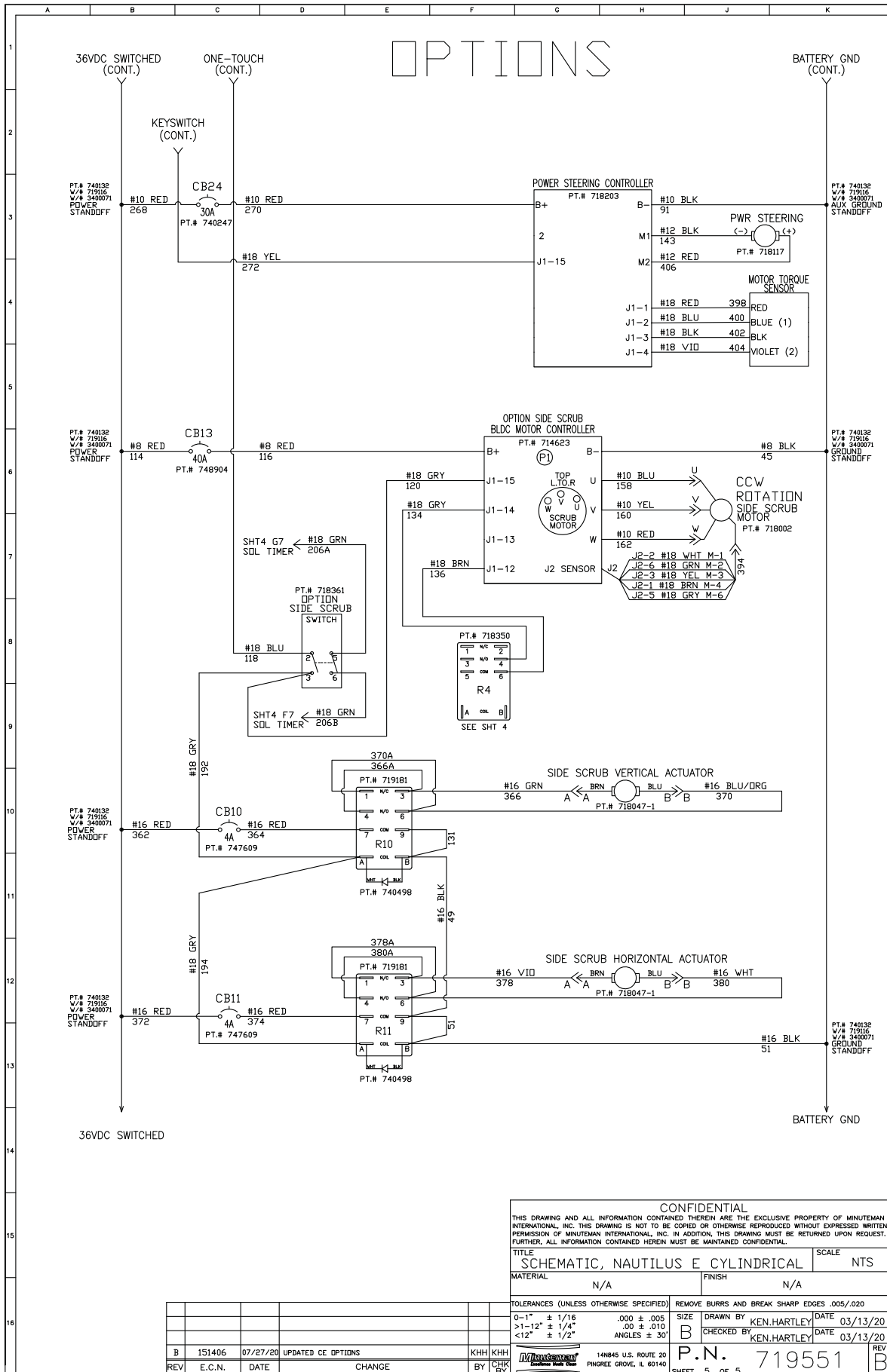
# CYLINDRICAL ELECTRICAL SCHEMATIC LAYOUT



**REV C**

THIS DRAWING AND ALL INFORMATION CONTAINED THEREIN ARE THE EXCLUSIVE PROPERTY OF MINUTEMAN INTERNATIONAL, INC. THIS DRAWING IS NOT TO BE COPIED OR OTHERWISE REPRODUCED WITHOUT EXPRESSED WRITTEN PERMISSION OF MINUTEMAN INTERNATIONAL, INC. IN ADDITION, THIS DRAWING MUST BE RETURNED UPON REQUEST. FURTHER, ALL INFORMATION CONTAINED HEREIN MUST BE MAINTAINED CONFIDENTIAL.	
TITLE: SCHEMATIC, NAUTILUS E CYLINDRICAL SCALE: NTS	
MATERIAL: N/A FINISH: N/A	
TOLERANCES (UNLESS OTHERWISE SPECIFIED) REMOVE BURRS AND BREAK SHARP EDGES .005/.020	
0-1" ± 1/16 .000 ± .005 SIZE	
>1-12" ± 1/4" .00 ± .010 DRAWN BY: KEN.HARTLEY DATE: 03/13/20	
<12" ± 1/2" ANGLES ± 30' CHECKED BY: KEN.HARTLEY DATE: 03/13/20	
B 151406 07/27/20 UPDATED CE OPTIONS KHH KHH	
REV: E.C.N. DATE CHANGE BY: CHK BY:	
P.N. 719551	
SHEET 4 OF 5	

# CYLINDRICAL ELECTRICAL SCHEMATIC LAYOUT



CONFIDENTIAL			
THIS DRAWING AND ALL INFORMATION CONTAINED THEREIN ARE THE EXCLUSIVE PROPERTY OF MINUTEMAN INTERNATIONAL, INC. THIS DRAWING IS NOT TO BE COPIED OR OTHERWISE REPRODUCED WITHOUT EXPRESSED PERMISSION OF MINUTEMAN INTERNATIONAL, INC. IN ADDITION, THIS DRAWING MUST BE RETURNED UPON REQUEST. FURTHER, ALL INFORMATION CONTAINED HEREIN MUST BE MAINTAINED CONFIDENTIAL.			
TITLE SCHEMATIC, NAUTILUS E CYLINDRICAL		SCALE NTS	
MATERIAL N/A		FINISH N/A	
TOLERANCES (UNLESS OTHERWISE SPECIFIED)		REMOVE BURRS AND BREAK SHARP EDGES .005/.020	
0-1" ± 1/16	.000 ± .005	SIZE	DRAWN BY KEN.HARTLEY
>1-12" ± 1/4"	.00 ± .010	DATE	03/13/20
<12" ± 1/2"	ANGLES ± 30'	CHECKED BY	KEN.HARTLEY
		DATE	03/13/20
B 151406	07/27/20	UPDATED CE OPTIONS	KHH KHH
REV	E.C.N.	DATE	CHANGE
			BY CHK RY
14845 U.S. ROUTE 20 PINNACRE GROVE, IL 60140		P.N. 719551	
SHEET 5 OF 5		REV B	



*PowerBoss*<sup>®</sup>  
*The Power of Clean*

***“The Power of Clean”***

**PowerBoss® is a Full Line Manufacturer of Sweepers and Scrubbers,  
for Industrial Facilities.**

PowerBoss®, Minuteman International, Inc. 14N845 U.S. Route 20 Pingree Grove, Illinois 60140  
Phone: 800-323-9420 [www.PowerBoss.com](http://www.PowerBoss.com) Email: [tech@powerboss.com](mailto:tech@powerboss.com)

**A Member of the Hako Group**

Nautilus Electric Scrubber #988768 Rev. C 11/20

PowerBoss® Copyright 2014-2015